

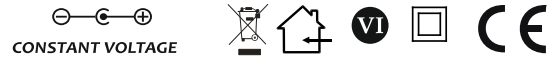
POS05200A-2555L series

5V / 2A Wall mounted type AC/DC adaptor



■ Features:

- Universal AC input / Full range
- ErP step II / CEC level VI compliance
- No load power consumption $P < 0.075W$
- Protections: Overload / Short circuit / Over Voltage



ELECTRICAL SPECIFICATION

MODEL	POS 5200A-2555L
-------	-----------------

OUTPUT

Rated Voltage	5V
Rated Current	2A
Current Range	0 ÷ 2A
Rated Power	10W
Line Regulation	± 1%
Load Regulation	± 5%
Tolerance [3]	± 8%
Ripple & Noise (max.) [2]	150mV _{p-p}
Setup, Rise Time [4]	5000ms, 30ms / 230VAC at full load
Hold up Time (typ.)	4ms / 230VAC at full load

INPUT

Voltage Range	90 ÷ 264VAC
Frequency Range	47 ÷ 63Hz
Efficiency (typ.)	79,11%
AC Current (typ.)	0.25A / 230VAC
No load Power Consumption (max.)	0.075W

PROTECTIONS

Overload	Range: 105-200% Auto-recovery.
Short Circuit	Type: hiccup mode, auto-recovery.
Over Voltage	Type: auto-recovery.

POS05200A-2555L series

5V / 2A Wall mounted type AC/DC adaptor



WORKING ENVIRONMENT

Working Temperature	0°C ÷ 40°C
Working Humidity	10 ÷ 90% RH non-condensing
Storage Temperature and Humidity	-20°C ÷ 85°C, 5 ÷ 90% RH non-condensing

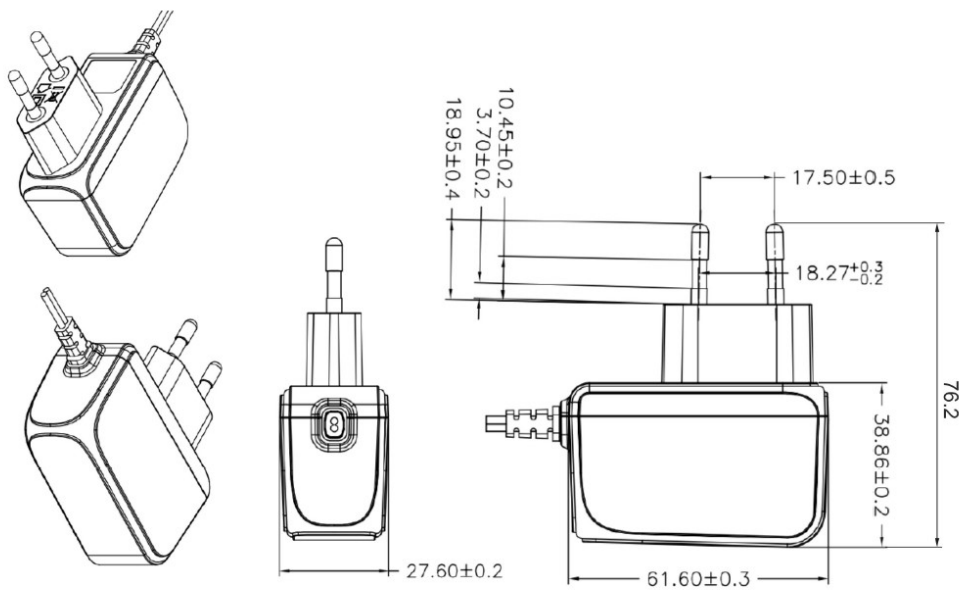
SAFETY and EMC REGULATIONS

Safety Standards	Compliance to EN 60950-1
Withstand Voltage	IN/OUT: 3.6kVAC
Isolation Resistance	IN/OUT: 50MΩ/500VDC/25°C/70%
EMC Emission	Compliance to EN55032
EMC Immunity	Compliance to EN61000-4-2, -3, -4, -5
Harmonic Current	Compliance to EN61000-3-3; EN61000-3-2

OTHERS

DC wire and plug	Wire: 22AWG*2C, length = 1500mm	Plug: 2.5/5.5mm
Net Weight / Dimensions	131.8g / 76.2 x 27.6 x 61,6mm (L x W x H)	

MECHANICAL SPECIFICATION

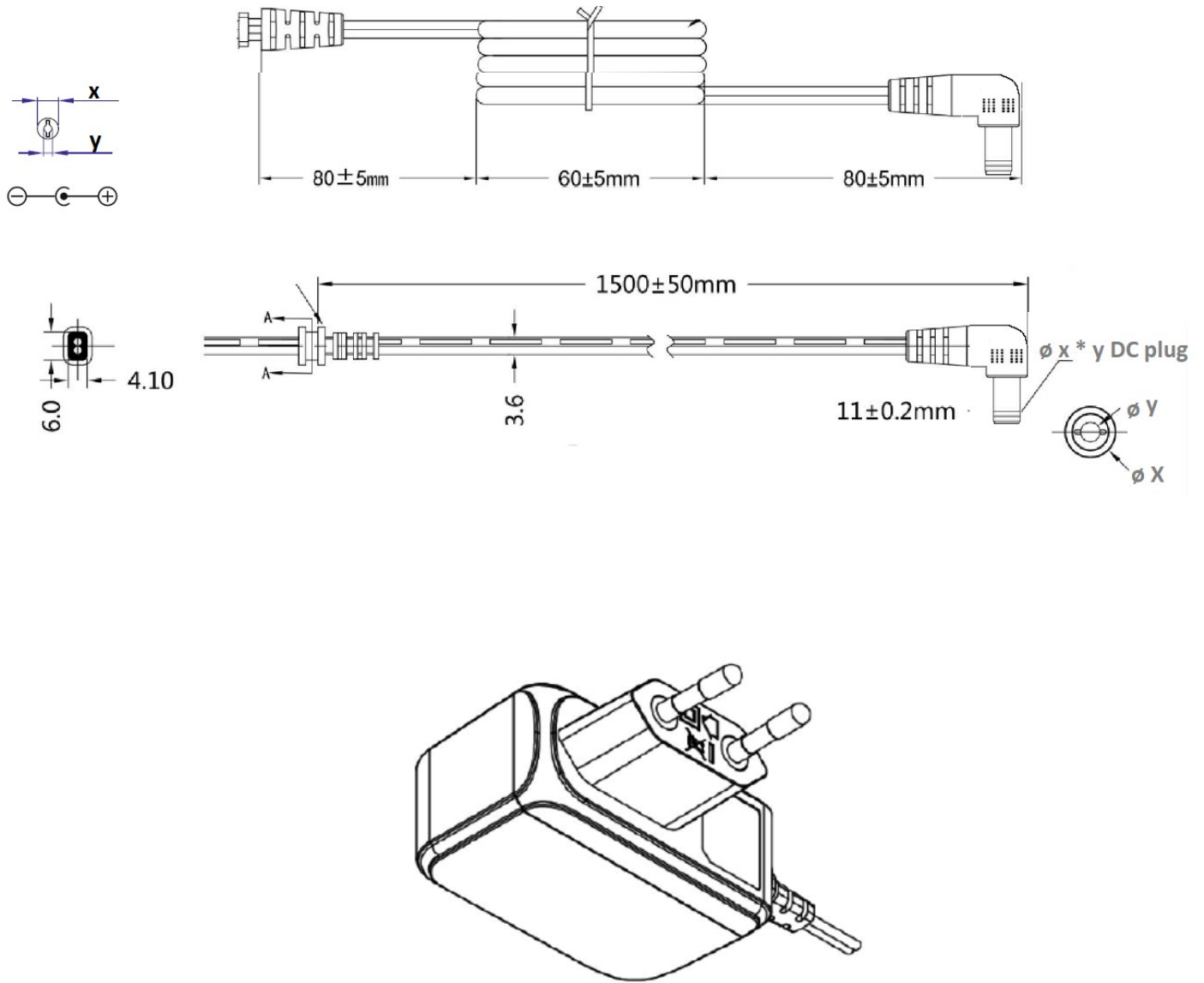


POS05200A-2555L series

5V / 2A Wall mounted type AC/DC adaptor



MECHANICAL SPECIFICATION: DC wire and plug



MODEL	DC PLUG	X [mm]	Y [mm]	Polarity
POS05200A-2555	5.5x2.5 mm (L)	5.5	2.5	Center positive

X-ON Electronics

Largest Supplier of Electrical and Electronic Components

Click to view similar products for [POS manufacturer](#):

Other Similar products are found below :

[POS05055A](#) [POS05100A](#) [POS05100A-MU](#) [POS05100A-MU-WH](#) [POS05200A](#) [POS05200A-13](#) [POS05200A-1740](#) [POS05200A-2555](#)
[POS05200A-2555L](#) [POS05200A-WH](#) [POS05200A-WH13](#) [POS05300A-USB-C](#) [POS06100A](#) [POS06100A-WH](#) [POS09100A](#) [POS12050A](#)
[POS12050A-WH](#) [POS12100A](#) [POS12120A](#) [POS12120A-WH](#) [POS12150A-WH](#) [POS12200A](#) [POS12200A-25](#) [POS12300A](#) [POS15100D](#)
[POS15200D](#) [POS24050A](#) [POS24100A](#) [POS24100A-25](#) [POS24150A](#) [POSB05200A](#) [POSB05200A-13345L](#) [POSB05200A-2555](#)
[POSB05200A-MICRO](#) [POSB05200A-USBC](#) [POSB05200A-WHMICRO](#) [POSB05210A-2USB](#) [POSB05310A-2USB](#) [POSB05400A-USBC](#)
[POSB06100A](#) [POSB06100A-WH](#) [POSB06200A](#) [POSB06200A-WH](#) [POSB09100A](#) [POSB09100A-WH](#) [POSB12050A](#) [POSB12050A-WH](#)
[POSB12100A](#) [POSB12100A-25](#) [POSB12100A-E1/U1/U2/A3](#)