

POSB12100A-E1/U1/U2/A3 series

12V / 1A Wall mounted type AC/DC adaptor with plug EU/UK/US/AU

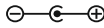


■ Features:

- Universal AC input / Full range
- ErP step II / CEC level VI compliance
- No load power consumption $P < 0.075W$
- Protections: Overload / Short circuit / Over Voltage



ELECTRICAL SPECIFICATION

 CONSTANT VOLTAGE



| | |
|----------------------------------|-----------------------------|
| MODEL | POSB12100A-E1/U1/U2/A3 |
| OUTPUT | |
| <i>Rated Voltage</i> | 12V |
| <i>Rated Current</i> | 1A |
| <i>Current Range</i> | 0 ÷ 1A |
| <i>Rated Power</i> | 12W |
| <i>Line Regulation</i> | ± 1% |
| <i>Load Regulation</i> | ± 5% |
| <i>Tolerance</i> | ± 5% |
| <i>Ripple & Noise (max.)</i> | 150mV _{p-p} |
| <i>Setup, Rise Time</i> | 3000ms/ 100VAC at full load |
| <i>Hold up Time (typ.)</i> | 5ms / 230VAC at full load |

| | |
|---|---------------|
| INPUT | |
| <i>Voltage Range</i> | 90 ÷ 264VAC |
| <i>Frequency Range</i> | 47 ÷ 63Hz |
| <i>Efficiency (typ.)</i> | 82,97% |
| <i>AC Current (typ.)</i> | 0.4A / 230VAC |
| <i>No load Power Consumption (max.)</i> | >0.1W |

| | |
|----------------------|-----------------------------------|
| PROTECTIONS | |
| <i>Overload</i> | Range: 105-200% Auto-recovery. |
| <i>Short Circuit</i> | Type: hiccup mode, auto-recovery. |
| <i>Over Voltage</i> | Type: auto-recovery. |

POSB12100A-E1/U1/U2/A3 series

12V / 1A Wall mounted type AC/DC adaptor with plug EU/UK/US/AU



WORKING ENVIRONMENT

| | |
|---|---|
| Working Temperature | 0°C ÷ 40°C |
| Working Humidity | 10 ÷ 90% RH non-condensing |
| Storage Temperature and Humidity | -20°C ÷ 60°C, 5 ÷ 90% RH non-condensing |

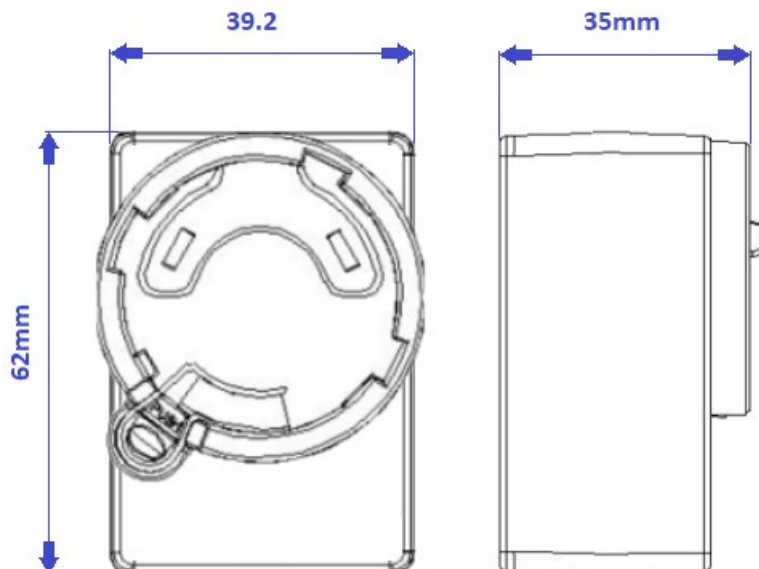
SAFETY and EMC REGULATIONS

| | |
|-----------------------------|---|
| Safety Standards | Compliance to EN 62368 |
| Withstand Voltage | IN/OUT: 3.6kVAC |
| Isolation Resistance | IN/OUT: 50MΩ/500VDC/25°C/70% |
| EMC Emission | Compliance to EN55032, FCC PART 15B, AS/NZS CISPR22 |
| EMC Immunity | Compliance to EN61000-4-2, -3, -4, -5 |
| Harmonic Current | Compliance to EN61000-3-3; EN61000-3-2 |

OTHERS

| | | |
|--------------------------------|-------------------------------------|--------------------------------|
| DC wire and plug | Wire: 22AWG*2C, length = 1200mm | Plug: 2.1/5.5, positive inside |
| Net Weight / Dimensions | 131g / 62 x 39,2 x 35mm (L x W x H) | |

MECHANICAL SPECIFICATION



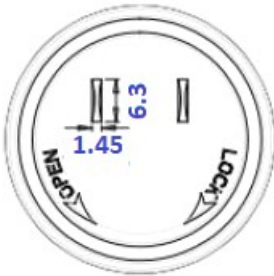
POSB12100A-E1/U1/U2/A3 series

12V / 1A Wall mounted type AC/DC adaptor with plug EU/UK/US/AU



MECHANICAL SPECIFICATION:

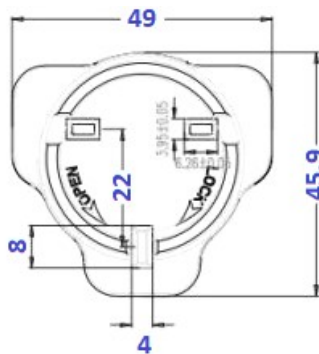
US PLUG



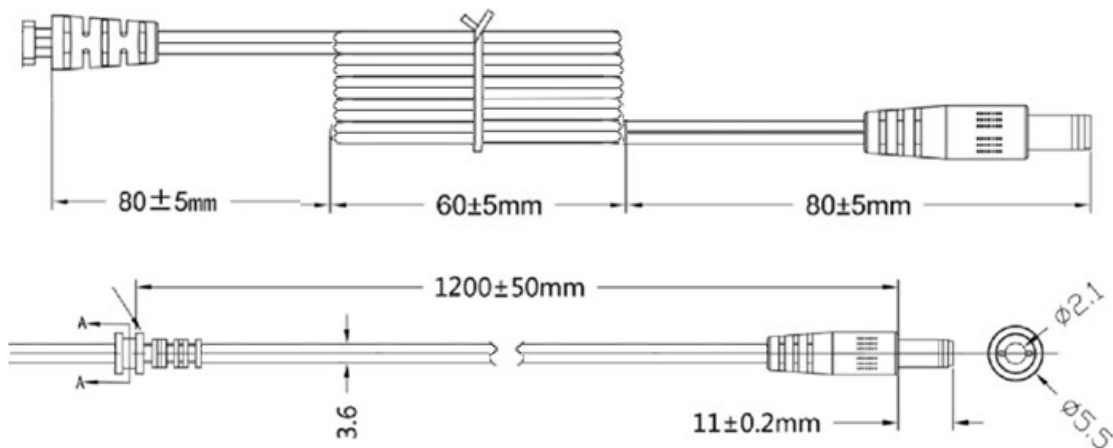
Australia PLUG



UK PLUG



EU PLUG



1. All parameters NOT specially mentioned are measured at 230VAC input, rated load and 25°C of ambient temperature.

2. Ripple & noise are measured at 20MHz of bandwidth by using a 12" twisted pair-wire terminated with a 0.1µF i 47µF parallel capacitor.

3. Tolerance includes set up tolerance, line regulation and load regulation.

4. Setup and rise time is measured from 0 to 90% rated output voltage.

5. Power supply is considered as component not indented to apply by end-user. Power supply meets safety and EMC standards however the final equipment with power supply must be re-quality to comply with EMC Directives.

X-ON Electronics

Largest Supplier of Electrical and Electronic Components

Click to view similar products for POS manufacturer:

Other Similar products are found below :

[POSB12200A](#) [POS05200A-WH](#) [POS15200D](#) [POSC09100A-25](#) [POS15100D](#) [POSB05310A-2USB](#) [POSC24100A-25](#) [POSB12200A-WH25](#)
[POSB09100A-WH](#) [POSB12300D-2555](#) [POSC12500D-C8-25](#) [POS05300A-USB-C](#) [POSB12150A](#) [POSC12333D-C14-25](#) [POSC24150A-H-2555](#) [POSC12300D-C8-25](#) [POSB12500D-2555](#) [POS12200A-25](#) [POSB06100A](#) [POSB12100D-2555](#) [POS12150A-WH](#) [POSB24050A](#)
[POSB12200D-2555](#) [POSC12200A-25](#) [POS24100A-25](#) [POSB12200D](#) [POSC18333D-C14](#) [POSB05200A-USBC](#) [POS05200A-2555](#)
[POS05200A-WH13](#) [POSC24150A-H](#) [POS05200A-2555L](#) [POSB12300D](#) [POSB24100A](#) [POSB12200A-WH](#) [POSB12200A-25](#) [POSB12300A-WH](#) [POSC121000D-C14](#) [POSC09100A](#) [POSC24100A-H](#) [POSC12100A-25](#) [POSC12500D-C14](#) [POSC20600D-2555-C14](#) [POSC07100A](#)
[POSC17100A](#) [POSB12050A-WH](#) [POSB12150A-WH](#) [POSC12125A-25](#) [POS06100A-WH](#) [POSB05400A-USBC](#)