

POSB24050A series

24V / 0.5A Wall mounted type AC/DC adaptor



- Universal AC input / Full range
- ErP step II / CEC level VI compliance
- No load power consumption $P < 0.075W$
- Protections: Overload / Short circuit / Over Voltage

ELECTRICAL SPECIFICATION



MODEL	POSB 24050A
OUTPUT	
<i>Rated Voltage</i>	24V
<i>Rated Current</i>	0.5A
<i>Current Range</i>	0 ÷ 5A
<i>Rated Power</i>	12W
<i>Line Regulation</i>	± 1%
<i>Load Regulation</i>	± 5%
<i>Tolerance</i>	± 8%
<i>Ripple & Noise (max.)</i>	120mV _{p-p}
<i>Setup, Rise Time</i>	5000ms, 30ms / 230VAC at full load
<i>Hold up Time (typ.)</i>	4ms / 230VAC at full load

INPUT	
<i>Voltage Range</i>	90 ÷ 264VAC
<i>Frequency Range</i>	47 ÷ 63Hz
<i>Efficiency (typ.)</i>	81,71%
<i>AC Current (typ.)</i>	0.3A / 230VAC
<i>No load Power Consumption (max.)</i>	0.075W

PROTECTIONS	
<i>Overload</i>	Range: 105-200% Auto-recovery.
<i>Short Circuit</i>	Type: hiccup mode, auto-recovery.
<i>Over Voltage</i>	Type: auto-recovery.

POSB24050A series

24V / 0.5A Wall mounted type AC/DC adaptor



WORKING ENVIRONMENT

Working Temperature	0°C ÷ 45°C
Working Humidity	5 ÷ 90% RH non-condensing
Storage Temperature and Humidity	-20°C ÷ 85°C, 5 ÷ 90% RH non-condensing

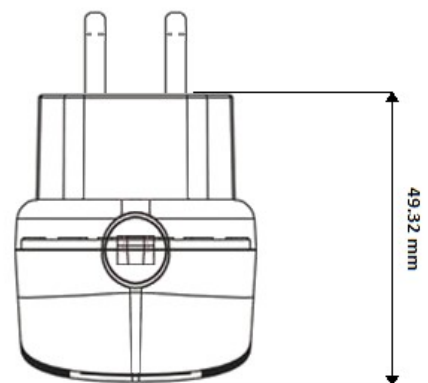
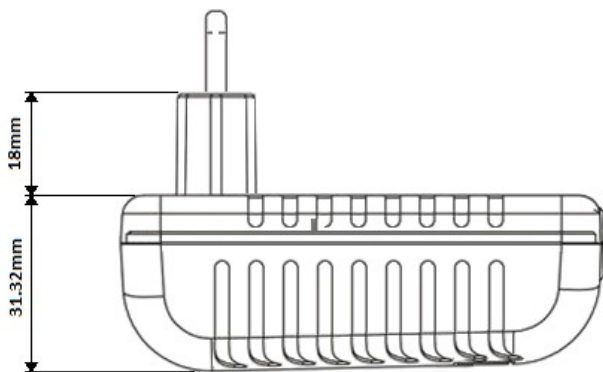
SAFETY and EMC REGULATIONS

Safety Standards	Compliance to EN 60950-1
Withstand Voltage	IN/OUT: 3.6kVAC
Isolation Resistance	IN/OUT: 50MΩ/500VDC/25°C/70%
EMC Emission	Compliance to EN55032
EMC Immunity	Compliance to EN61000-4-2, -3, -4, -5
Harmonic Current	Compliance to EN61000-3-3; EN61000-3-2

OTHERS

DC wire and plug	Wire: 24AWG*2C, length = 1200mm	Plug: 2.1/5.5, positive inside
Net Weight / Dimensions	80,4g / 67 x 38 x 74mm (L x W x H)	

MECHANICAL SPECIFICATION

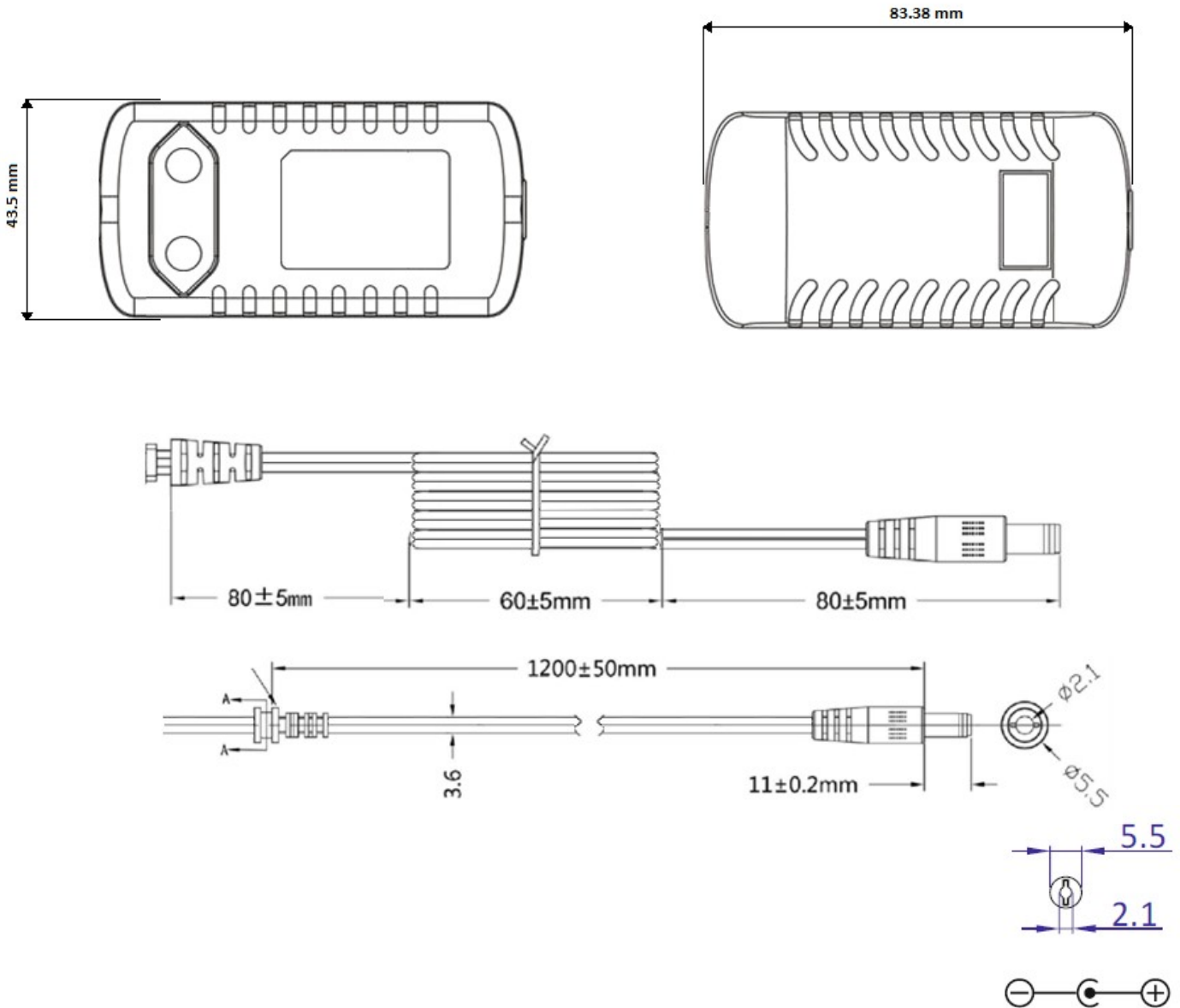


POSB24050A series

24V / 0.5A Wall mounted type AC/DC adaptor



MECHANICAL SPECIFICATION: DC wire and plug



1. All parameters NOT specially mentioned are measured at 230VAC input, rated load and 25°C of ambient temperature.
2. Ripple & noise are measured at 20MHz of bandwidth by using a 12" twisted pair-wire terminated with a 0.1µF i 47µF parallel capacitor.
3. Tolerance includes set up tolerance, line regulation and load regulation.
4. Setup and rise time is measured from 0 to 90% rated output voltage.
5. Power supply is considered as component not indented to apply by end-user. Power supply meets safety and EMC standards however the final equipment with power supply must be re-quality to comply with EMC Directives.

X-ON Electronics

Largest Supplier of Electrical and Electronic Components

Click to view similar products for POS manufacturer:

Other Similar products are found below :

[POSB12200A](#) [POS05200A-WH](#) [POS15200D](#) [POSC09100A-25](#) [POS15100D](#) [POSC24100A-25](#) [POSB12200A-WH25](#) [POSB09100A-WH](#)
[POSB12300D-2555](#) [POSC12500D-C8-25](#) [POS05300A-USB-C](#) [POSB12150A](#) [POSC12333D-C14-25](#) [POSC24150A-H-2555](#) [POSC12300D-](#)
[C8-25](#) [POSB12500D-2555](#) [POS12200A-25](#) [POSB06100A](#) [POSB12100D-2555](#) [POS12150A-WH](#) [POSB24050A](#) [POSB12200D-2555](#)
[POSC12200A-25](#) [POS24100A-25](#) [POSB12200D](#) [POSC18333D-C14](#) [POSB05200A-USBC](#) [POS05200A-2555](#) [POS05200A-WH13](#)
[POSC24150A-H](#) [POS05200A-2555L](#) [POSB12300D](#) [POSB24100A](#) [POSB12200A-WH](#) [POSB12200A-25](#) [POSB12300A-WH](#)
[POSC121000D-C14](#) [POSC09100A](#) [POSC24100A-H](#) [POSC12100A-25](#) [POSC12500D-C14](#) [POSC20600D-2555-C14](#) [POSC07100A](#)
[POSC17100A](#) [POSB12050A-WH](#) [POSB12150A-WH](#) [POSC12125A-25](#) [POS06100A-WH](#) [POSB05400A-USBC](#) [POSC12200A-H](#)