

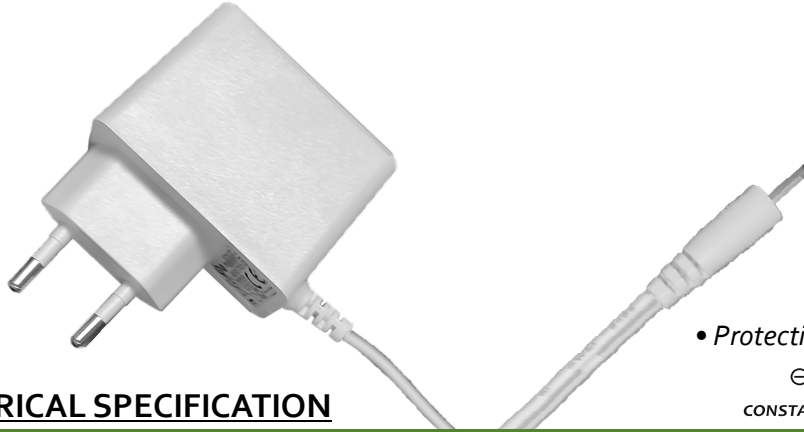
# POSC05200A-0723-WH series

5V / 2A Wall mounted type AC/DC adaptor



## ■ Features:

- Universal AC input / Full range
- ErP step II / CEC level VI compliance
- MTBF > 100.000 h
- Protections: Overload / Short circuit / Over Voltage



CONSTANT VOLTAGE

## ELECTRICAL SPECIFICATION

<b>MODEL</b>	POSC05200A-0723-WH
<b>OUTPUT</b>	
<b>Rated Voltage</b>	5V
<b>Rated Current</b>	2A
<b>Current Range</b>	0 ÷ 2A
<b>Rated Power</b>	10W
<b>Line Regulation</b>	± 5%
<b>Load Regulation</b>	± 5%
<b>Tolerance [3]</b>	± 8%
<b>Ripple &amp; Noise (max.) [2]</b>	120mV <sub>p-p</sub>
<b>Rise Time [4]</b>	30ms / 230VAC at 10% to 90% load
<b>Hold up Time (typ.)</b>	3ms / 230VAC at full load

<b>INPUT</b>	
<b>Voltage Range</b>	90 ÷ 264VAC
<b>Frequency Range</b>	47 ÷ 63Hz
<b>Efficiency (typ.)</b>	78.70% - Input115/230Vac / Average (25%+50%+75%+100%) /4
<b>AC Current (typ.)</b>	0.4A / 230VAC
<b>No load Power Consumption (max.)</b>	<0.10W

<b>PROTECTIONS</b>	
<b>Overload</b>	2.2A-4.0A Auto-recovery.
<b>Short Circuit</b>	Type: hiccup mode, auto-recovery.
<b>Over Voltage</b>	Type: auto-recovery.

# POSC05200A-0723-WH series

5V / 2A Wall mounted type AC/DC adaptor



## WORKING ENVIRONMENT

<b>Working Temperature</b>	-5°C ÷ 40°C
<b>Working Humidity</b>	5 ÷ 95% RH non-condensing
<b>Storage Temperature and Humidity</b>	-40°C ÷ 85°C, 5 ÷ 90% RH non-condensing

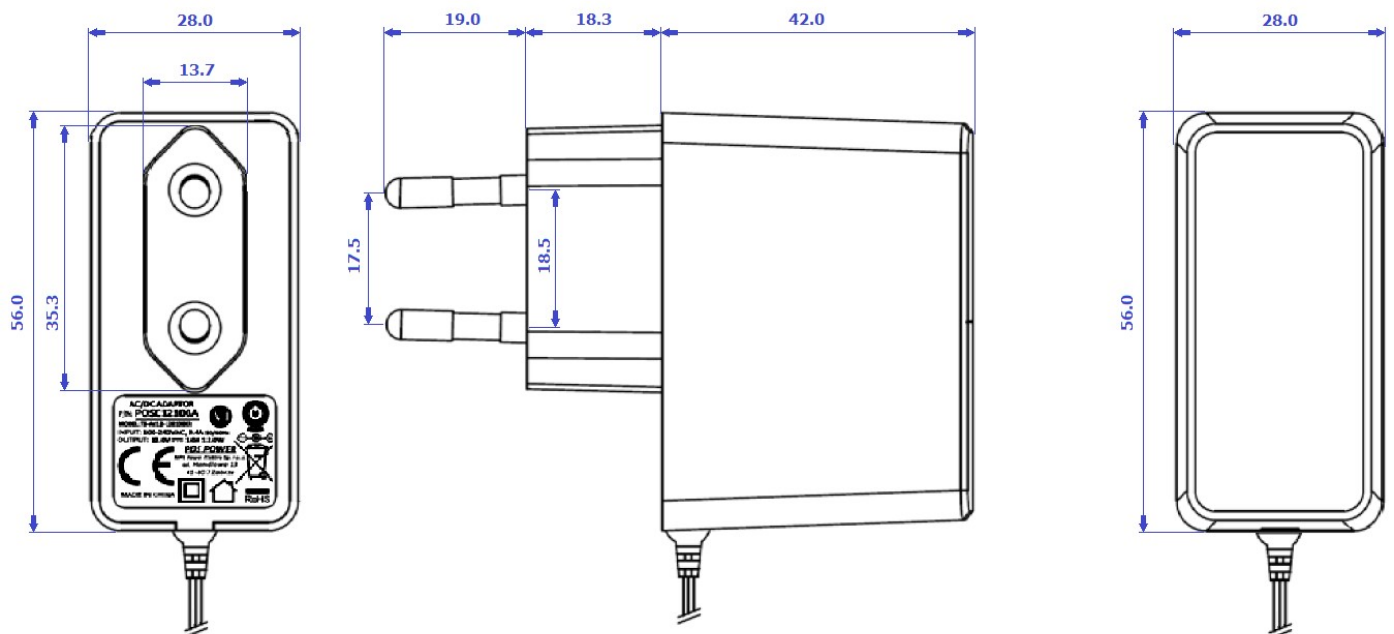
## SAFETY and EMC REGULATIONS

<b>Safety Standards</b>	Compliance to EN 62368
<b>Withstand Voltage</b>	IN/OUT: 3.6kVAC
<b>Isolation Resistance</b>	IN/OUT: 50MΩ/500VDC/25°C/70%
<b>EMC Emission</b>	Compliance to EN55032
<b>EMC Immunity</b>	Compliance to EN61000-4-2, -3, -4, -5
<b>Harmonic Current</b>	Compliance to EN61000-3-3; EN61000-3-2

## OTHERS

<b>DC wire and plug</b>	Wire: 20AWG*2C, length = 1500mm	Plug: <b>0.7x2.35</b> center positive
<b>Net Weight / Dimensions</b>	82g / 56.0 x 28.0 x 42.0mm (L x W x H)	

## MECHANICAL SPECIFICATION

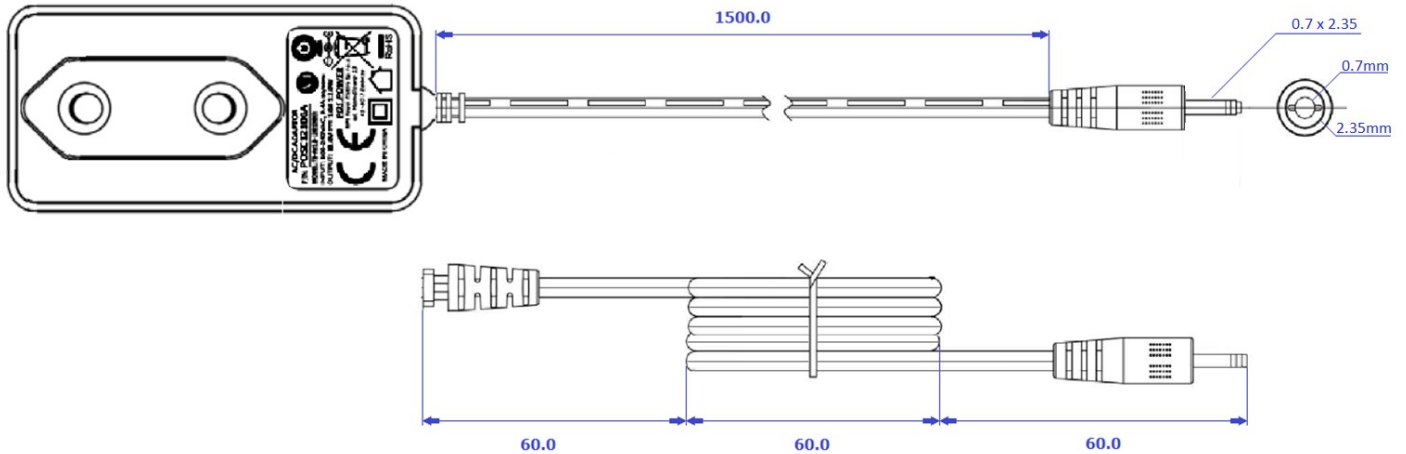


# POSC05200A-0723-WH series

5V / 2A Wall mounted type AC/DC adaptor



## MECHANICAL SPECIFICATION: DC wire and plug



MODEL	DC PLUG	X [mm]	Y [mm]	Polarity
POSC05200A-WH	5.5x2.1mm	5.5	2.1	center positive
<b>POSC05200A-0723-WH</b>	<b>2.35x0.7mm</b>	<b>2.35</b>	<b>0.7</b>	<b>center positive</b>
POSC05200A-1335-WH	3.5x1.3mm	3.5	1.3	center positive
POSC05200A-1740-WH	4.0x1.7mm	4.0	1.7	center positive
POSC05200A-1748-WH	4.8x1.7mm	4.8	1.7	center positive
POSC05200A-CN-WH	5.5x2.1mm	5.5	2.1	center negative
POSC05200A-2555-CN-WH	5.5x2.5mm	5.5	2.5	center negative
POSC05200A-1335-CN-WH	3.5x1.3mm	3.5	1.3	center negative
POSC05200A-1740-CN-WH	4.0x1.7mm	4.0	1.7	center negative
POSC05200A-1748-CN-WH	4.8x1.7mm	4.8	1.7	center negative

1. All parameters NOT specially mentioned are measured at 230VAC input, rated load and 25°C of ambient temperature.
2. Ripple & noise are measured at 20MHz of bandwidth by using a 12" twisted pair-wire terminated with a 0.1μF i 47μF parallel capacitor.
3. Tolerance includes set up tolerance, line regulation and load regulation.
4. Setup and rise time is measured from 0 to 90% rated output voltage.
5. Power supply is considered as component not indented to apply by end-user. Power supply meets safety and EMC standards however the final equipment with power supply must be re-quality to comply with EMC Directives.

## **X-ON Electronics**

Largest Supplier of Electrical and Electronic Components

*Click to view similar products for [POS manufacturer](#):*

Other Similar products are found below :

[POS05055A](#) [POS05100A](#) [POS05100A-MU](#) [POS05100A-MU-WH](#) [POS05200A](#) [POS05200A-13](#) [POS05200A-1740](#) [POS05200A-2555](#)  
[POS05200A-2555L](#) [POS05200A-MICRO](#) [POS05200A-WH](#) [POS05200A-WH13](#) [POS05300A-USB-C](#) [POS06100A](#) [POS06100A-WH](#)  
[POS09100A](#) [POS12050A](#) [POS12050A-WH](#) [POS12100A](#) [POS12120A](#) [POS12120A-WH](#) [POS12150A-WH](#) [POS12200A](#) [POS12200A-25](#)  
[POS12300A](#) [POS15100D](#) [POS15200D](#) [POS24050A](#) [POS24100A](#) [POS24100A-25](#) [POS24150A](#) [POSB05200A](#) [POSB05200A-13345L](#)  
[POSB05200A-2555](#) [POSB05200A-MICRO](#) [POSB05200A-USBC](#) [POSB05200A-WHMICRO](#) [POSB05210A-2USB](#) [POSB05310A-2USB](#)  
[POSB05400A-USBC](#) [POSB06100A](#) [POSB06100A-WH](#) [POSB06200A](#) [POSB06200A-WH](#) [POSB09100A](#) [POSB09100A-WH](#) [POSB12050A](#)  
[POSB12050A-WH](#) [POSB12100A](#) [POSB12100A-25](#)