

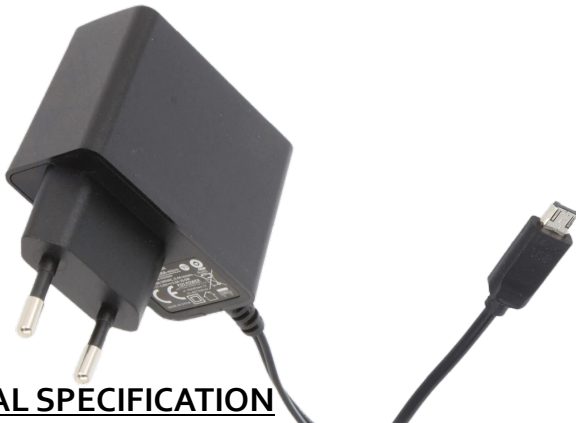
POSC05300A-micro USB series

5V / 3A Wall mounted type AC/DC adaptor



■ Features:

- Universal AC input / Full range
- ErP step II / CEC level VI compliance
- MTBF > 100.000 h
- Protections: Overload / Short circuit / Over Voltage



ELECTRICAL SPECIFICATION

CONSTANT VOLTAGE



MODEL	POSC05200A-micro USB
OUTPUT	
<i>Rated Voltage</i>	5V
<i>Rated Current</i>	3A
<i>Current Range</i>	0 ÷ 3A
<i>Rated Power</i>	15W
<i>Line Regulation</i>	± 5%
<i>Load Regulation</i>	± 5%
<i>Tolerance [3]</i>	± 8%
<i>Ripple & Noise (max.) [2]</i>	200mV _{p-p}
<i>Rise Time [4]</i>	30ms / 230VAC at 10% to 90% load
<i>Hold up Time (typ.)</i>	3ms / 230VAC at full load

INPUT	
<i>Voltage Range</i>	90 ÷ 264VAC
<i>Frequency Range</i>	47 ÷ 63Hz
<i>Efficiency (typ.)</i>	81.39% - Input115/230Vac / Average (25%+50%+75%+100%) /4
<i>AC Current (typ.)</i>	0.6A / 230VAC
<i>No load Power Consumption (max.)</i>	<0.10W

PROTECTIONS	
<i>Overload</i>	3.2A-4.5A Auto-recovery.
<i>Short Circuit</i>	Type: hiccup mode, auto-recovery.
<i>Over Voltage</i>	Type: auto-recovery.

POSC05300A-micro USB series

5V / 3A Wall mounted type AC/DC adaptor



WORKING ENVIRONMENT

Working Temperature	-5°C ÷ 40°C
Working Humidity	5 ÷ 95% RH non-condensing
Storage Temperature and Humidity	-40°C ÷ 85°C, 5 ÷ 90% RH non-condensing

SAFETY and EMC REGULATIONS

Safety Standards	Compliance to EN 62368-1
Withstand Voltage	IN/OUT: 3.6kVAC
Isolation Resistance	IN/OUT: 50MΩ/500VDC/25°C/70%
EMC Emission	Compliance to EN55032
EMC Immunity	Compliance to EN61000-4-2, -3, -4, -5
Harmonic Current	Compliance to EN61000-3-3; EN61000-3-2

OTHERS

DC wire and plug	Wire: 20AWG*2C, length = 1500mm	Plug: micro USB
Net Weight / Dimensions	103g / 56.0 x 28.0 x 42.0mm (L x W x H)	

MECHANICAL SPECIFICATION

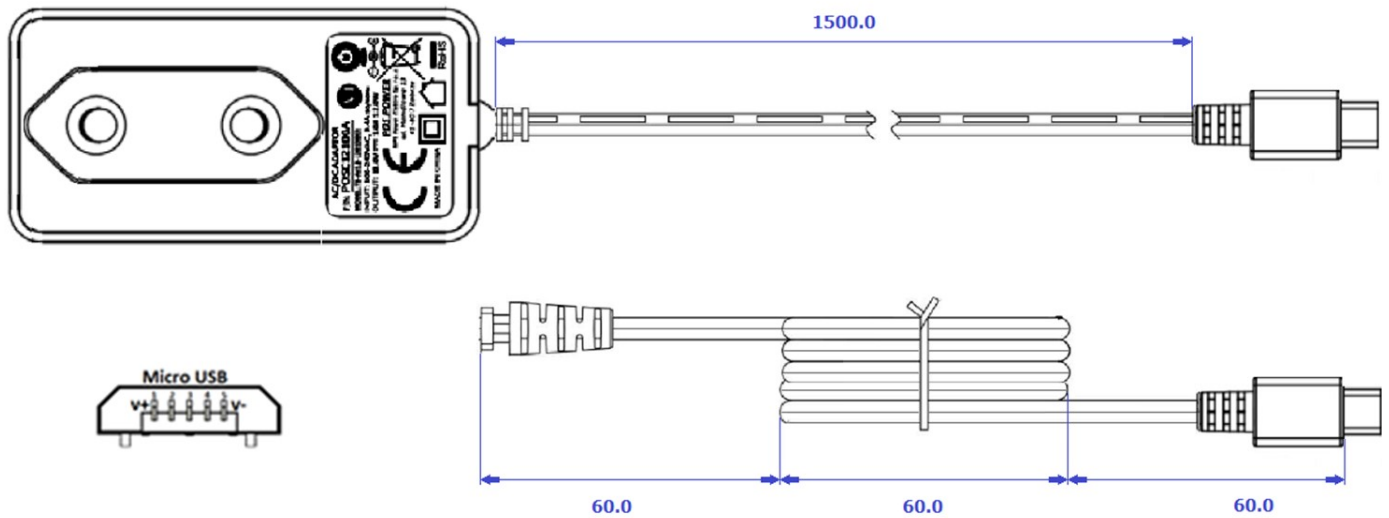


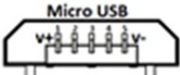
POSC05300A-micro USB series

5V / 3A Wall mounted type AC/DC adaptor



MECHANICAL SPECIFICATION: DC wire and plug



MODEL	DC PLUG	X [mm}	Y [mm]	Polarity
POSC05300A-microUSB	Micro USB	-	-	
POSC05200A-2555-WH	5.5x2.5mm	5.5	2.5	center positive
POSC05200A-1335-WH	3.5x1.3mm	3.5	1.3	center positive
POSC05200A-1740-WH	4.0x1.7mm	4.0	1.7	center positive
POSC05200A-1748-WH	4.8x1.7mm	4.8	1.7	center positive
POSC05200A-CN-WH	5.5x2.1mm	5.5	2.1	center negative
POSC05200A-2555-CN-WH	5.5x2.5mm	5.5	2.5	center negative
POSC05200A-1335-CN-WH	3.5x1.3mm	3.5	1.3	center negative
POSC05200A-1740-CN-WH	4.0x1.7mm	4.0	1.7	center negative
POSC05200A-1748-CN-WH	4.8x1.7mm	4.8	1.7	center negative

1. All parameters NOT specially mentioned are measured at 230VAC input, rated load and 25°C of ambient temperature.
2. Ripple & noise are measured at 20MHz of bandwidth by using a 12" twisted pair-wire terminated with a 0.1µF i 47µF parallel capacitor.
3. Tolerance includes set up tolerance, line regulation and load regulation.
4. Setup and rise time is measured from 0 to 90% rated output voltage.
5. Power supply is considered as component not indented to apply by end-user. Power supply meets safety and EMC standards however the final equipment with power supply must be re-quality to comply with EMC Directives.

X-ON Electronics

Largest Supplier of Electrical and Electronic Components

Click to view similar products for [Wall Mount AC Adapters](#) category:

Click to view products by [POS manufacturer](#):

Other Similar products are found below :

[ADP-163 E](#) [ADP-167 J](#) [ADP-159 A](#) [PSAC05A-050L6](#) [DA10-050US](#) [WSU075-1000-R13](#) [WSU120-2000-R13](#) [WSU180-1330-13](#) [WSU120-2000-13](#) [WSU150-0800-13](#) [WSU075-3200-13](#) [WSU090-2500-13](#) [WSU050-2000-R13](#) [WSU240-1000-13](#) [WSU150-0560-13](#) [WSU240-0500-R13](#) [WSU075-1500-13](#) [WSU050-3000-13](#) [WSU120-1500-13](#) [WSU120-1500-R13](#) [WSU240-0750-13](#) [WSU180-0660-13](#) [WSU090-1300-13](#) [WSU050-1500-13](#) [WSU090-0800-13](#) [WSU120-0700-13](#) [WSU120-3000-13](#) [WSU090-1300-R13](#) [WSU075-1000-13](#) [WSU060-1250-13](#) [WSU050-4000-13](#) [WSU045-1500-R13](#) [PSAC05A-050L6M](#) [AC PLUG-AU3](#) [AC PLUG-MIX3](#) [TRE-A](#) [223-00011](#) [223-00012](#) [AA20R-480A-R](#) [223-00010](#) [KT1001US](#) [BB-SMI6B12V-P230C1](#) [FPBAG1-H](#) [KT1001EU](#) [POSC05200A-0723-WH](#) [POSC05200A-1335-WH](#) [POSC05200A-1740](#) [POSC05200A-CN-WH](#) [POSC12100A-0723](#) [POSC12100A-1335-WH](#)