

POSC07350D-C8-2555 series

7,5V / 3.5A desktop type AC/DC adaptor



- Universal AC input / Full range
- ErP step II / CEC level VI compliance
- No load power consumption $P < 0.1W$
- Protections: Overload / Short circuit / Over Voltage

ELECTRICAL SPECIFICATION



MODEL	POSC07350D-C8-2555
OUTPUT	
Rated Voltage	7,5V
Rated Current	3.5A
Current Range	0 ÷ 3.5A
Rated Power	31.5W
Line Regulation	± 5%
Load Regulation	± 5%
Tolerance	± 8%
Ripple & Noise (max.)	200mV _{p-p}
Setup, Rise Time	100ms / Input 100-264Vac /load 10% to 90%
Hold up Time (typ.)	10ms / 230VAC at full load

INPUT	
Voltage Range	90 ÷ 264VAC
Frequency Range	47 ÷ 63Hz
Efficiency (typ.)	86.53%
AC Current (typ.)	1.2A / 230VAC
No load Power Consumption (max.)	<0,1W

PROTECTIONS	
Overload	Range: 3.85A- 6,3A Type: hiccup mode, auto-recovery.
Short Circuit	Type: hiccup mode, auto-recovery.
Over Voltage	Type: auto-recovery.
Over Temperature	140°C±10°C(detect on main control IC)

POSC07350D-C8-2555 series

7,5V / 3.5A desktop type AC/DC adaptor



WORKING ENVIRONMENT

Working Temperature	-5°C ÷ 40°C
Working Humidity	5 ÷ 90% RH non-condensing
Storage Temperature and Humidity	-20°C ÷ 85°C, 5 ÷ 90% RH non-condensing

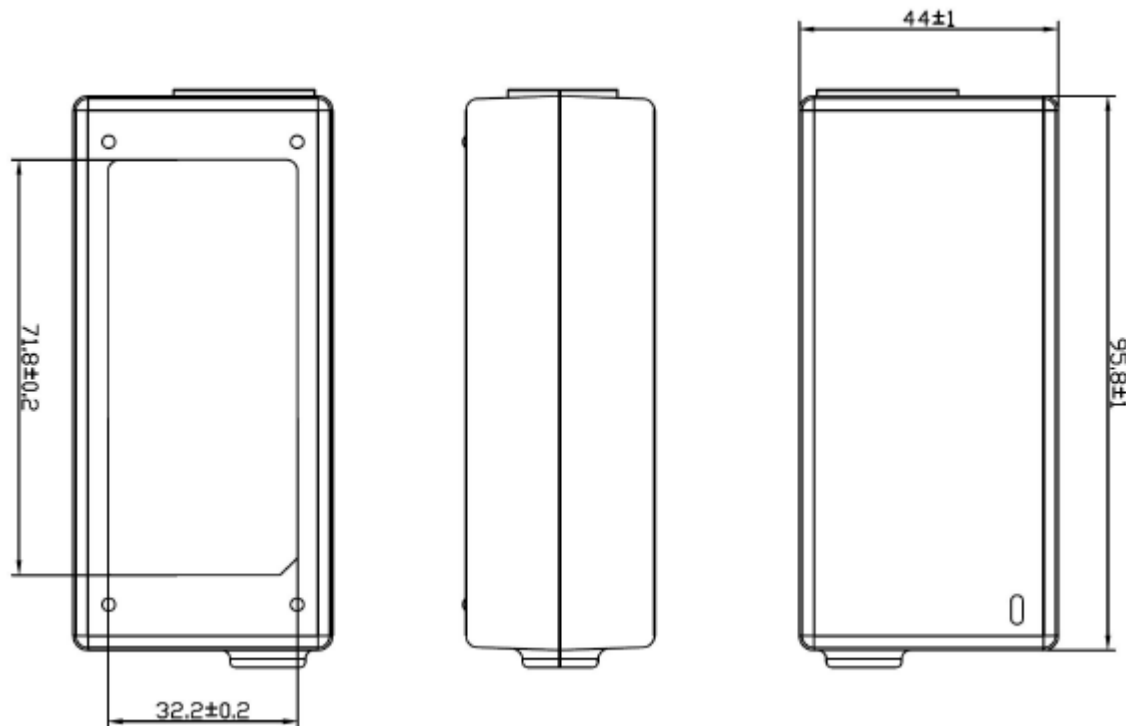
SAFETY and EMC REGULATIONS

Safety Standards	Compliance to EN 62368-1:2014+A11:2017
Withstand Voltage	IN/OUT: 3kVAC
Isolation Resistance	IN/OUT: 100MΩ/500VDC/25°C/70%
EMC Emission	Compliance to EN55032
EMC Immunity	Compliance to EN61000-4-2, -3, -4, -5
Harmonic Current	Compliance to EN61000-3-3; EN61000-3-2

OTHERS

MTBF	100,000 h at 25°C
DC wire and plug	Wire: UL2468, 18AWG*2C, length = 1200mm Plug: 2.5/5.5, positive inside
Dimensions	95.8 x 44 x 32.0mm (L x W x H)

MECHANICAL SPECIFICATION

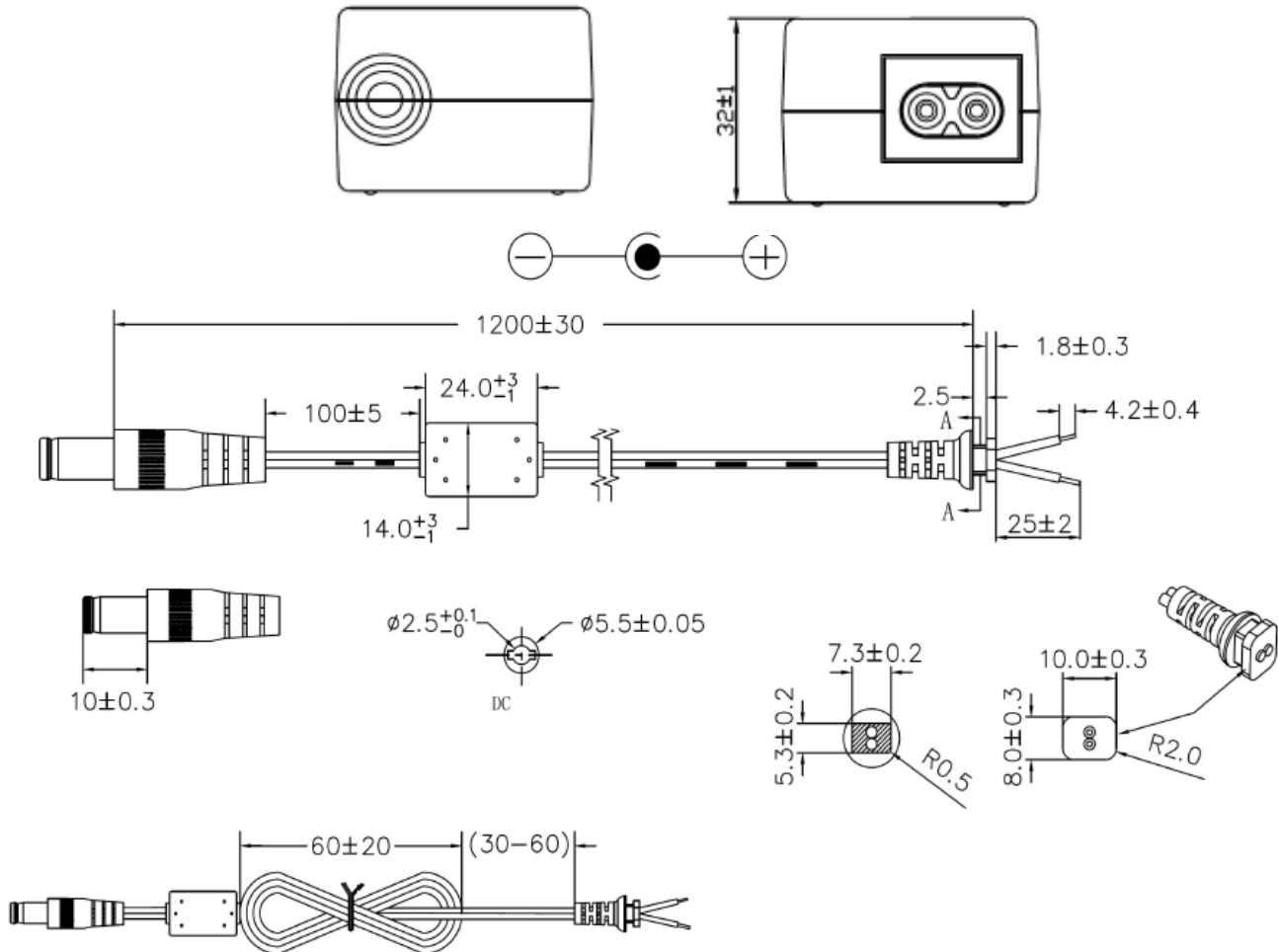


POSC07350D-C8-2555 series

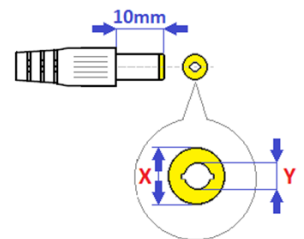
7,5V / 3.5A desktop type AC/DC adaptor



MECHANICAL SPECIFICATION: DC wire and plug



MODEL	DC PLUG	X [mm]	Y [mm]	Polarity
POSC07350D	5.5x2.1mm	5.5	2.1	center positive
POSC07350D-2555	5.5x2.5mm	5.5	2.5	center positive
POSC07350D-1335	3.5x1.3mm	3.5	1.3	center positive
POSC07350D-1740	4.0x1.7mm	4.0	1.7	center positive
POSC07350D-1748	4.8x1.7mm	4.8	1.7	center positive
POSC07350D-CN	5.5x2.1mm	5.5	2.1	center negative
POSC07350D-2555-CN	5.5x2.5mm	5.5	2.5	center negative
POSC07350D-1335-CN	3.5x1.3mm	3.5	1.3	center negative
POSC07350D-1740-CN	4.0x1.7mm	4.0	1.7	center negative
POSC07350D-1748-CN	4.8x1.7mm	4.8	1.7	center negative



1. All parameters NOT specially mentioned are measured at 230VAC input, rated load and 25°C of ambient temperature.
2. Ripple & noise are measured at 20MHz of bandwidth by using a 12" twisted pair-wire terminated with a 0.1µF / 47µF parallel capacitor.
3. Tolerance includes set up tolerance, line regulation and load regulation.
4. Setup and rise time is measured from 0 to 90% rated output voltage.
5. Power supply is considered as component not intended to apply by end-user. Power supply meets safety and EMC standards however the final equipment with power supply must be re-quality to comply with EMC Directives.

X-ON Electronics

Largest Supplier of Electrical and Electronic Components

Click to view similar products for [Desktop AC Adapters](#) category:

Click to view products by [POS manufacturer](#):

Other Similar products are found below :

[212A2136](#) [SWA-1202](#) [SWA-1501](#) [212A2220](#) [432703037451](#) [KR8-PS01](#) [1894875](#) [820A4080G](#) [825A0057-03](#) [SWA-1704W](#) [TRH21A120-49E03-Level-VI](#) [FWC100024A-11A](#) [FWE050012B-10A](#) [FWA065024A-11A](#) [PSA120U-560L6](#) [1895235](#) [PW-C0725-W2-B](#) [57-U1](#) [57-U2](#) [TWN4 MIFARE NFC USB ADAPTE](#) [SED80N2-16.0](#) [SED80N3-16.0](#) [96PSA-A36W12R1-3](#) [NPB-360-12XLR](#) [NPB-750-24](#) [DTE150-24SX-F-W6](#) [96PSA-A60W12V1-4](#) [63040-010036-210-RS](#) [FWE050012A-10A](#) [96PSA-A60W12W7-3](#) [96PSA-A100W18D4-M3](#) [63040-010120-210-RS](#) [96PSA-A60W12R1-3](#) [160W MEANWELL,GST160A24-AD,24V,6.67A](#) [MCS65US12-D9](#) [TRH50A240-26E03 VI](#) [51516](#) [50015](#) [50051](#) [51512](#) [50084](#) [51518](#) [PRO9024C13](#) [50072](#) [50052](#) [50093](#) [50011](#) [51033](#) [PRO9024C13-2555S](#) [50795](#)