

# POSC09350D series

9V / 3.5A desktop type AC/DC adaptor



- Universal AC input / Full range
- ErP step II / CEC level VI compliance
- No load power consumption  $P < 0.075W$
- Protections: Overload / Short circuit / Over Voltage

## ELECTRICAL SPECIFICATION



**MODEL** POSC09350D-C8 / POSC09350D-C14

### OUTPUT

<b>Rated Voltage</b>	9V
<b>Rated Current</b>	3.5A
<b>Current Range</b>	0 ÷ 3.5A
<b>Rated Power</b>	31.5W
<b>Line Regulation</b>	± 5%
<b>Load Regulation</b>	± 5%
<b>Tolerance</b>	± 8%
<b>Ripple &amp; Noise (max.)</b>	200mV <sub>P-P</sub>
<b>Setup, Rise Time</b>	100ms / Input 100-264Vac /load 10% to 90%
<b>Hold up Time (typ.)</b>	10ms / 230VAC at full load

### INPUT

<b>Voltage Range</b>	90 ÷ 264VAC
<b>Frequency Range</b>	47 ÷ 63Hz
<b>Efficiency (typ.)</b>	87.08%
<b>AC Current (typ.)</b>	1.2A / 230VAC
<b>No load Power Consumption (max.)</b>	<1W

### PROTECTIONS

<b>Overload</b>	Range: 4.2A- 7A Type: hiccup mode, auto-recovery.
<b>Short Circuit</b>	Type: hiccup mode, auto-recovery.
<b>Over Voltage</b>	Type: auto-recovery.
<b>Over Temperature</b>	140°C±10°C(detect on main control IC)

# POSC09350D series

9V / 3.5A desktop type AC/DC adaptor



## WORKING ENVIRONMENT

<b>Working Temperature</b>	-5°C ÷ 40°C
<b>Working Humidity</b>	5 ÷ 90% RH non-condensing
<b>Storage Temperature and Humidity</b>	-20°C ÷ 85°C, 5 ÷ 90% RH non-condensing

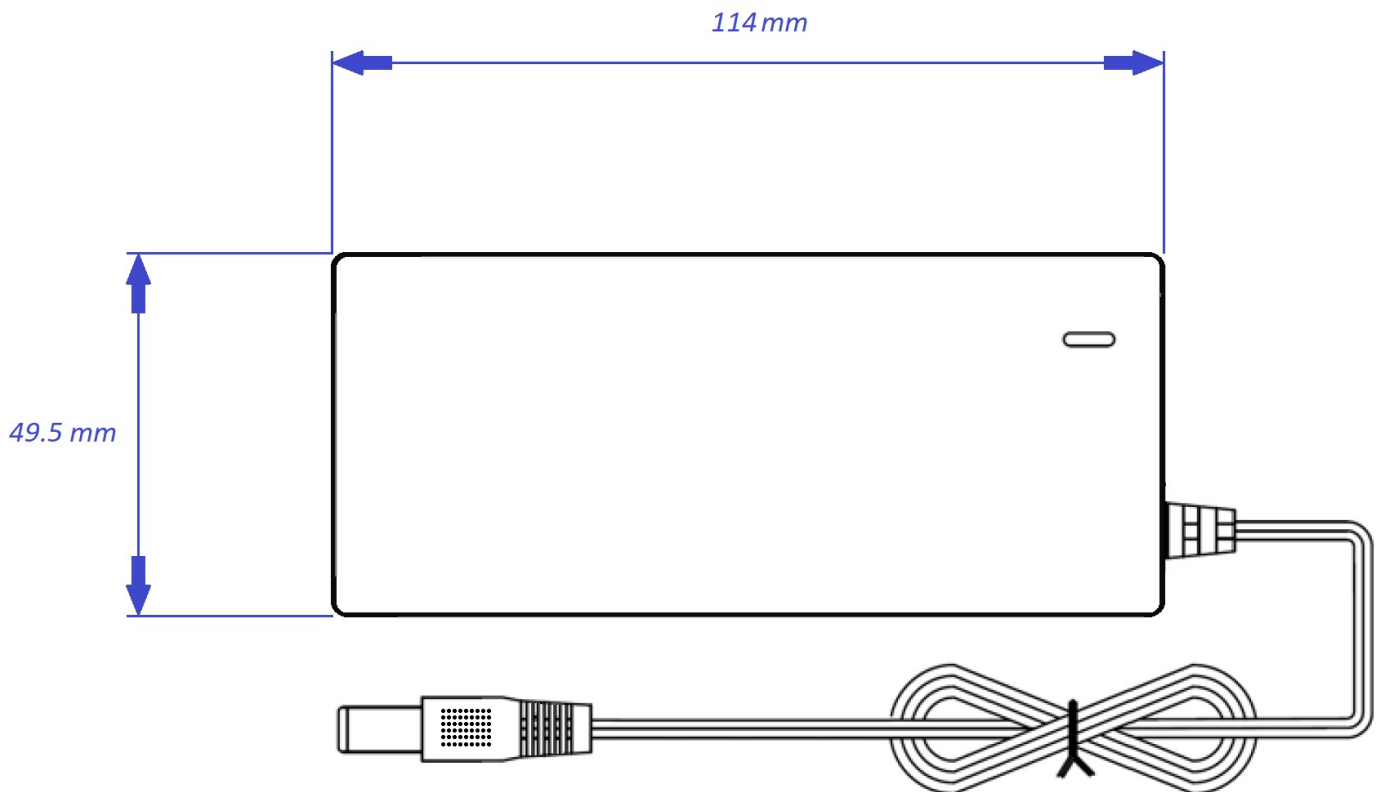
## SAFETY and EMC REGULATIONS

<b>Safety Standards</b>	Compliance to EN 60950-1
<b>Withstand Voltage</b>	IN/OUT: 3.6kVAC
<b>Isolation Resistance</b>	IN/OUT: 100MΩ/500VDC/25°C/70%
<b>EMC Emission</b>	Compliance to EN55032
<b>EMC Immunity</b>	Compliance to EN61000-4-2, -3, -4, -5
<b>Harmonic Current</b>	Compliance to EN61000-3-3; EN61000-3-2

## OTHERS

<b>DC wire and plug</b>	Wire: 18AWG*2C, length = 1200mm	Plug: 2.1/5.5, positive inside
<b>Dimensions</b>	115.0 x 49.5 x 31.0mm (L x W x H)	

## MECHANICAL SPECIFICATION



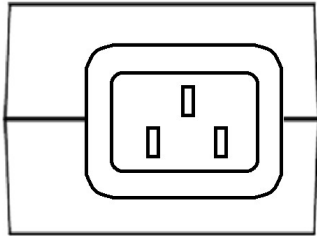
# POSC09350D series

9V / 3.5A desktop type AC/DC adaptor

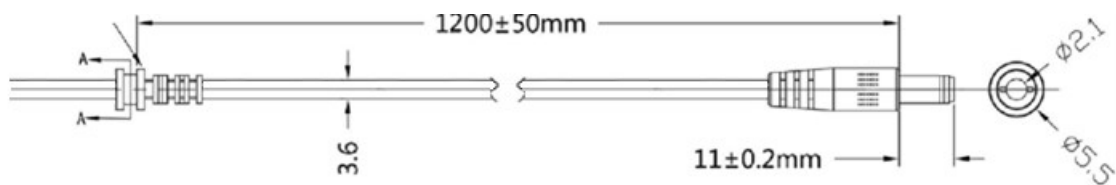
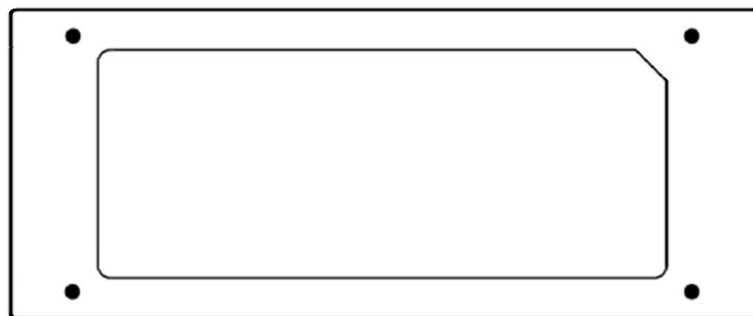
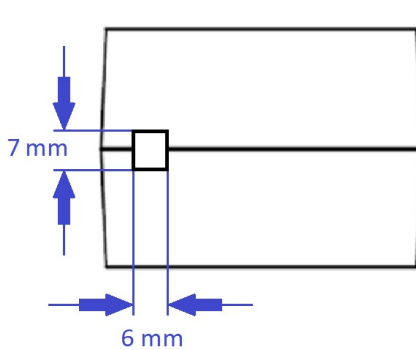
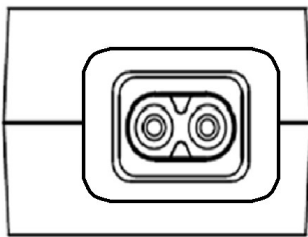


## MECHANICAL SPECIFICATION: DC wire and plug

### POSC09350D-C14



### POSC09350D-C8



1. All parameters NOT specially mentioned are measured at 230VAC input, rated load and 25°C of ambient temperature.
2. Ripple & noise are measured at 20MHz of bandwidth by using a 12" twisted pair-wire terminated with a 0.1µF i 47µF parallel capacitor.
3. Tolerance includes set up tolerance, line regulation and load regulation.
4. Setup and rise time is measured from 0 to 90% rated output voltage.
5. Power supply is considered as component not indented to apply by end-user. Power supply meets safety and EMC standards however the final equipment with power supply must be re-quality to comply with EMC Directives.

## X-ON Electronics

Largest Supplier of Electrical and Electronic Components

*Click to view similar products for [Desktop AC Adapters](#) category:*

*Click to view products by [POS manufacturer](#):*

Other Similar products are found below :

[212A2136](#) [SWA-1202](#) [SWA-1501](#) [212A2220](#) [432703037451](#) [KR8-PS01](#) [1894875](#) [820A4080G](#) [825A0057-03](#) [SWA-1704W](#) [TRH21A120-49E03-Level-VI](#) [FWC100024A-11A](#) [FWE050012B-10A](#) [FWA065024A-11A](#) [PSA120U-560L6](#) [1895235](#) [PW-C0725-W2-B](#) [57-U1](#) [57-U2](#) [TWN4 MIFARE NFC USB ADAPTE](#) [SED80N2-16.0](#) [SED80N3-16.0](#) [96PSA-A36W12R1-3](#) [NPB-360-12XLR](#) [NPB-750-24](#) [96PSA-A60W12V1-4](#) [96PSA-A60W12W7-3](#) [96PSA-A100W18D4-M3](#) [63040-010120-210-RS](#) [96PSA-A60W12R1-3](#) [MCS65US12-D9](#) [TRH50A240-26E03 VI](#) [51516](#) [50015](#) [50051](#) [51512](#) [50084](#) [51518](#) [PRO9024C13](#) [50072](#) [50052](#) [50093](#) [50011](#) [51033](#) [PRO9024C13-2555S](#) [51762](#) [50795](#) [51508](#) [50054](#) [POSC09350D-C8](#)