

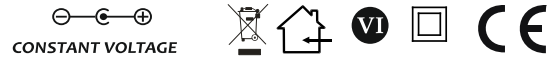
# POSC24100A series

24V / 2A Wall mounted type AC/DC adaptor



## ■ Features:

- Universal AC input / Full range
- ErP step II / CEC level VI compliance
- MTBF 100.000 h
- Protections: Overload / Short circuit / Over Voltage



## ELECTRICAL SPECIFICATION

|       |            |
|-------|------------|
| MODEL | POSC24100A |
|-------|------------|

## OUTPUT

|                           |                                   |
|---------------------------|-----------------------------------|
| Rated Voltage             | 24V                               |
| Rated Current             | 1A                                |
| Current Range             | 0 ÷ 1A                            |
| Rated Power               | 24W                               |
| Line Regulation           | ± 5%                              |
| Load Regulation           | ± 5%                              |
| Tolerance [3]             | ± 8%                              |
| Ripple & Noise (max.) [2] | 300mV <sub>p-p</sub>              |
| Rise Time [4]             | 100ms / 230VAC at 10% to 90% load |
| Hold up Time (typ.)       | 3ms / 230VAC at full load         |

## INPUT

|                                  |  |
|----------------------------------|--|
| Voltage Range                    | 90 ÷ 264VAC  |
| Frequency Range                  | 47 ÷ 63Hz  |
| Efficiency (typ.)                | 86.09% - Input115/230Vac / Average (25%+50%+75%+100%) /4 |
| AC Current (typ.)                | 0.6A / 230VAC  |
| No load Power Consumption (max.) | <0.10W   |

## PROTECTIONS

|               |                                   |
|---------------|-----------------------------------|
| Overload      | 1.1A-1.40A<br>Auto-recovery.      |
| Short Circuit | Type: hiccup mode, auto-recovery. |
| Over Voltage  | Type: auto-recovery.              |

# POSC24100A series

24V / 2A Wall mounted type AC/DC adaptor



## WORKING ENVIRONMENT

|   |   |
|---|---|
| <b>Working Temperature</b>              | -5°C ÷ 40°C                             |
| <b>Working Humidity</b>                 | 5 ÷ 95% RH non-condensing               |
| <b>Storage Temperature and Humidity</b> | -40°C ÷ 85°C, 5 ÷ 90% RH non-condensing |

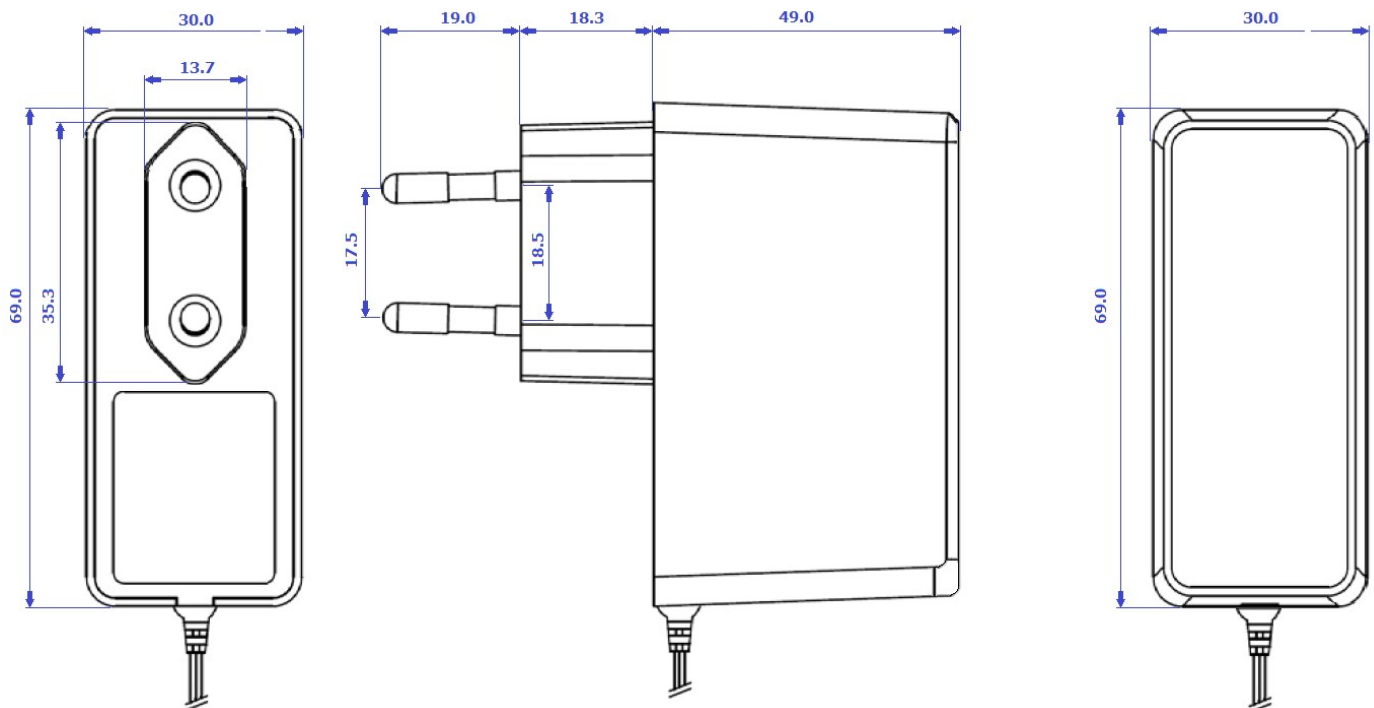
## SAFETY and EMC REGULATIONS

|                             |  |
|-----------------------------|--|
| <b>Safety Standards</b>     | Compliance to EN 62368                 |
| <b>Withstand Voltage</b>    | IN/OUT: 3.6kVAC                        |
| <b>Isolation Resistance</b> | IN/OUT: 50MΩ/500VDC/25°C/70%           |
| <b>EMC Emission</b>         | Compliance to EN55032                  |
| <b>EMC Immunity</b>         | Compliance to EN61000-4-2, -3, -4, -5  |
| <b>Harmonic Current</b>     | Compliance to EN61000-3-3; EN61000-3-2 |

## OTHERS

|                                |  |                 |
|--------------------------------|--|-----------------|
| <b>DC wire and plug</b>        | Wire: 24AWG*2C, length = 1500mm        | Plug: 2.1/5.5mm |
| <b>Net Weight / Dimensions</b> | 102g / 69.4x 30.0 x 64.1mm (L x W x H) |                 |

## MECHANICAL SPECIFICATION

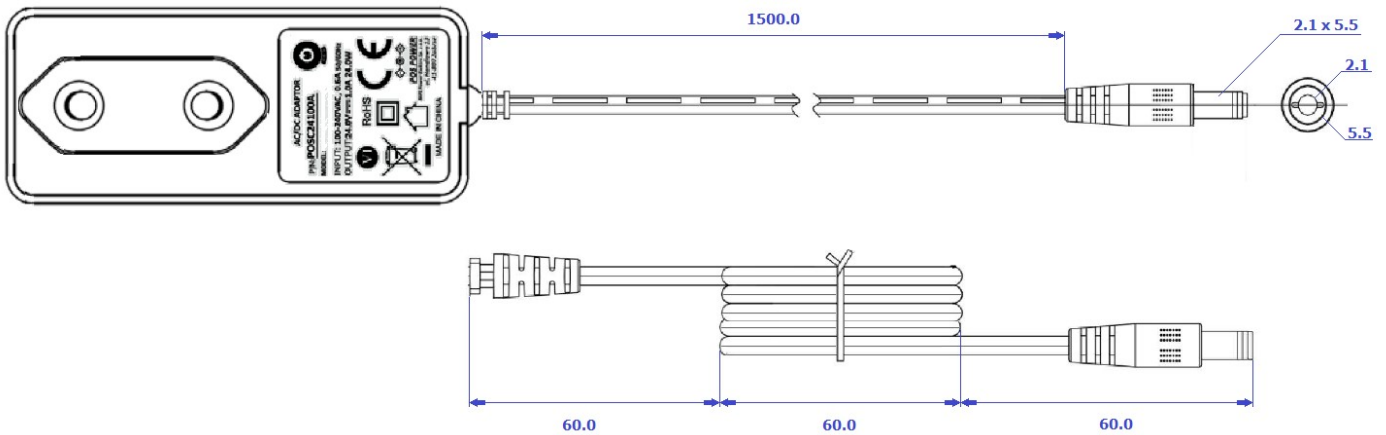


# POSC24100A series

24V / 2A Wall mounted type AC/DC adaptor



## MECHANICAL SPECIFICATION: DC wire and plug



| MODEL      | DC PLUG | X [mm] | Y [mm] | Polarity        |
|------------|---------|--------|--------|-----------------|
| POSC24100A | 5.5x2.1 | 5.5    | 2.1    | Center positive |

1. All parameters NOT specially mentioned are measured at 230VAC input, rated load and 25°C of ambient temperature.
2. Ripple & noise are measured at 20MHz of bandwidth by using a 12" twisted pair-wire terminated with a 0.1μF i 47μF parallel capacitor.
3. Tolerance includes set up tolerance, line regulation and load regulation.
4. Setup and rise time is measured from 0 to 90% rated output voltage.
5. Power supply is considered as component not indented to apply by end-user. Power supply meets safety and EMC standards however the final equipment with power supply must be re-quality to comply with EMC Directives.

## **X-ON Electronics**

Largest Supplier of Electrical and Electronic Components

*Click to view similar products for [POS manufacturer](#):*

Other Similar products are found below :

[POS05055A](#) [POS05100A](#) [POS05100A-MU](#) [POS05100A-MU-WH](#) [POS05200A](#) [POS05200A-13](#) [POS05200A-1740](#) [POS05200A-2555](#)  
[POS05200A-2555L](#) [POS05200A-MICRO](#) [POS05200A-WH](#) [POS05200A-WH13](#) [POS05300A-USB-C](#) [POS06100A](#) [POS06100A-WH](#)  
[POS09100A](#) [POS12050A](#) [POS12050A-WH](#) [POS12100A](#) [POS12120A](#) [POS12120A-WH](#) [POS12150A-WH](#) [POS12200A](#) [POS12200A-25](#)  
[POS12300A](#) [POS15100D](#) [POS15200D](#) [POS24050A](#) [POS24100A](#) [POS24100A-25](#) [POS24150A](#) [POSB05200A](#) [POSB05200A-13345L](#)  
[POSB05200A-2555](#) [POSB05200A-MICRO](#) [POSB05200A-USBC](#) [POSB05200A-WHMICRO](#) [POSB05210A-2USB](#) [POSB05310A-2USB](#)  
[POSB05400A-USBC](#) [POSB06100A](#) [POSB06100A-WH](#) [POSB06200A](#) [POSB06200A-WH](#) [POSB09100A](#) [POSB09100A-WH](#) [POSB12050A](#)  
[POSB12050A-WH](#) [POSB12100A](#) [POSB12100A-25](#)