

POSC65W-PD-MP

Wall mounted Power Supply / Power Delivery Charger



■ Features:

- support PD2.0/PD3.0 PPS 3.3-11V
- support: QC 2.0, QC 3.0, HUAWEI FCP, AFC, SCP, VIVO
- support: Fast charging protocol Apple 5V 2,4A
- Protections: Overload / Short circuit / Over Voltage



ELECTRICAL SPECIFICATION



MODEL	POSC65W-PD-MP
OUTPUT	
Rated Voltage	3.3V / 5V / 9V / 12V / 15V / 20V
Rated Current	4.5A (5V); 3A (9V); 3A (12V); 3A (15V); 3.25A (20V); 5A (4.5V)
Current Range	0 ÷ 3.25A
Rated Power	65W (only USB-C)/ 45W+18W (USB-C + USB-A)
Line Regulation	± 5%
Load Regulation	± 5%
Tolerance	± 8%
Ripple & Noise (max.)	150mV _{p-p} (5V) / 200mV _{p-p} (9-20V)
Setup, Rise Time	5000ms, 100ms / 230VAC at full load
Hold up Time (typ.)	3ms / 230VAC at full load

INPUT	
Voltage Range	90 ÷ 264VAC
Frequency Range	47 ÷ 63Hz
Efficiency (typ.)	81.39%
AC Current (typ.)	1.55A / 230VAC
No load Power Consumption (max.)	0.21W

PROTECTIONS	
Overload	Range: 105-200% Auto-recovery.
Short Circuit	Type: hiccup mode, auto-recovery.
Over Voltage	Type: auto-recovery.

POSC65W-PD-MP

Wall mounted Power Supply / Power Delivery Charger



WORKING ENVIRONMENT

Working Temperature	0°C ÷ 35°C
Working Humidity	5 ÷ 95% RH non-condensing
Storage Temperature and Humidity	-20°C ÷ 85°C, 5 ÷ 95% RH non-condensing

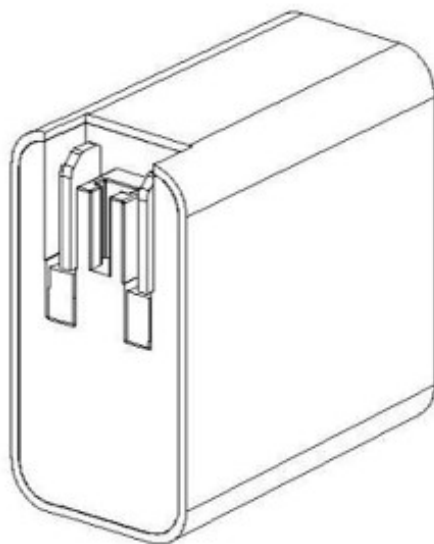
SAFETY and EMC REGULATIONS

Safety Standards	Compliance to EN 62368-1
Withstand Voltage	IN/OUT: 3.6kVAC
Isolation Resistance	IN/OUT: 50MΩ/500VDC/25°C/70%
EMC Emission	Compliance to EN55032
EMC Immunity	Compliance to EN61000-4-2, -3, -4, -5
Harmonic Current	Compliance to EN61000-3-3; EN61000-3-2

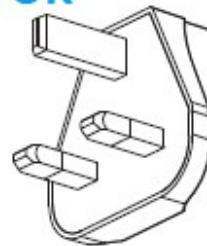
OTHERS

DC wire and plug	Wire: -	Socket: USB-C x1 / USB-A x1
Net Weight / Dimensions	211g / 54x29x53 (L x W x H)	

MECHANICAL SPECIFICATION: AC Plug



UK



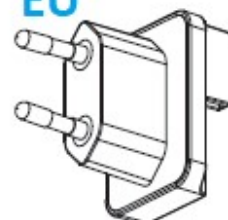
Australia



USA



EU

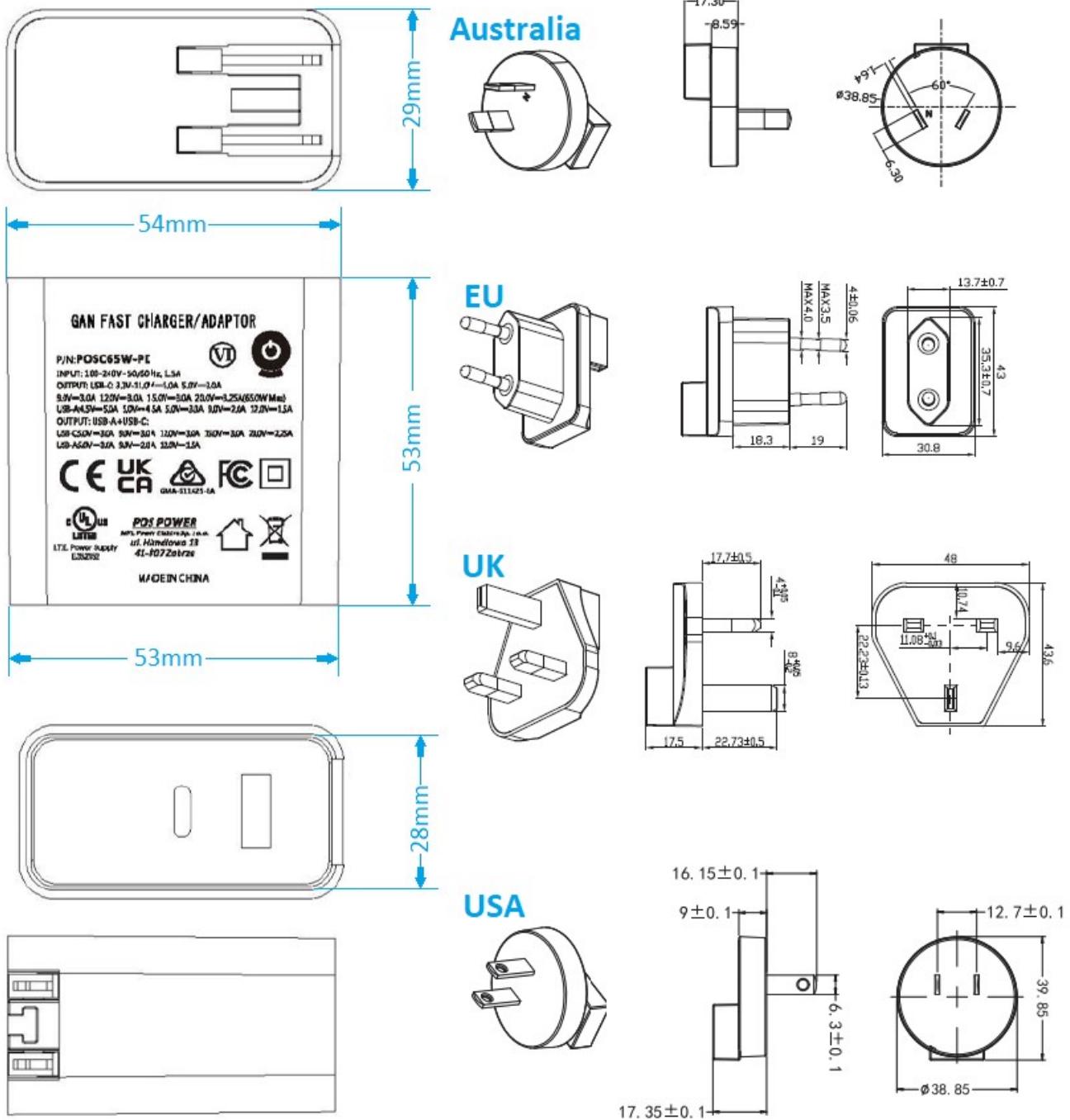


POSC65W-PD-MP

Wall mounted Power Supply / Power Delivery Charger



MECHANICAL SPECIFICATION:



1. All parameters NOT specially mentioned are measured at 230VAC input, rated load and 25°C of ambient temperature.
2. Ripple & noise are measured at 20MHz of bandwidth by using a 12" twisted pair-wire terminated with a 0.1µF i 47µF parallel capacitor.
3. Tolerance includes set up tolerance, line regulation and load regulation.
4. Setup and rise time is measured from 0 to 90% rated output voltage.
5. Power supply is considered as component not indented to apply by end-user. Power supply meets safety and EMC standards however the final equipment with power supply must be re-quality to comply with EMC Directives.

X-ON Electronics

Largest Supplier of Electrical and Electronic Components

Click to view similar products for [Wall Mount AC Adapters](#) category:

Click to view products by [POS manufacturer](#):

Other Similar products are found below :

[ADP-163 E](#) [ADP-167 J](#) [ADP-159 A](#) [PSAC05A-050L6](#) [DA10-050US](#) [WSU075-1000-R13](#) [WSU120-2000-R13](#) [WSU180-1330-13](#) [WSU120-2000-13](#) [WSU150-0800-13](#) [WSU075-3200-13](#) [WSU090-2500-13](#) [WSU050-2000-R13](#) [WSU240-1000-13](#) [WSU150-0560-13](#) [WSU240-0500-R13](#) [WSU075-1500-13](#) [WSU050-3000-13](#) [WSU120-1500-13](#) [WSU120-1500-R13](#) [WSU240-0750-13](#) [WSU090-2500-R13](#) [WSU240-1500-13](#) [WSU180-0660-13](#) [WSU090-1300-13](#) [WSU050-1500-13](#) [WSU090-0800-13](#) [WSU120-0700-13](#) [WSU045-3000-13](#) [WSU120-3000-13](#) [WSU090-1300-R13](#) [WSU075-1000-13](#) [WSU060-1250-R13](#) [WSU060-1250-13](#) [WSU050-4000-13](#) [WSU045-1500-R13](#) [PSAC05A-050L6M](#) [AC PLUG-AU3](#) [AC PLUG-MIX3](#) [TRE-A](#) [223-00011](#) [223-00012](#) [AA20R-480A-R](#) [223-00010](#) [KT1001US](#) [BB-SMI6B12V-P230C1](#) [FPBAG1-H](#) [KT1001EU](#) [POSC05200A-0723-WH](#) [POSC05200A-1335-WH](#)