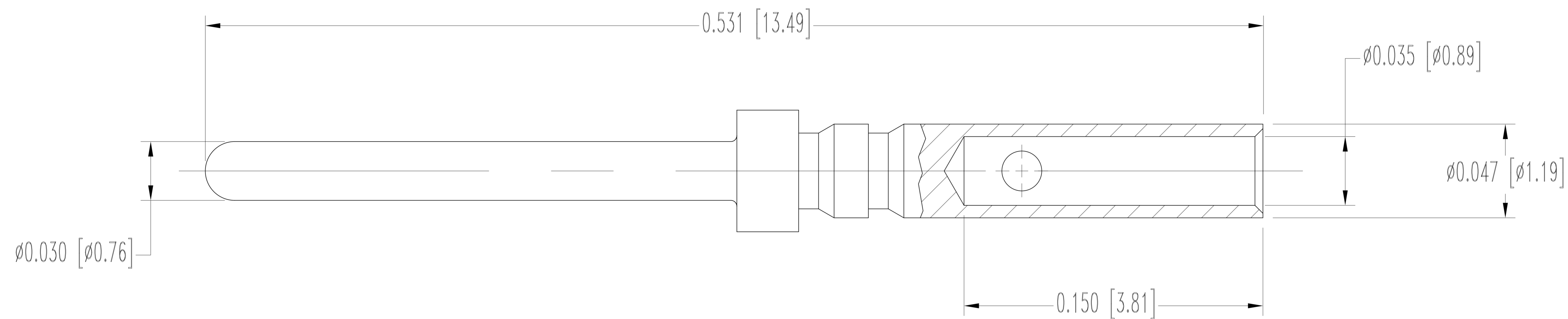


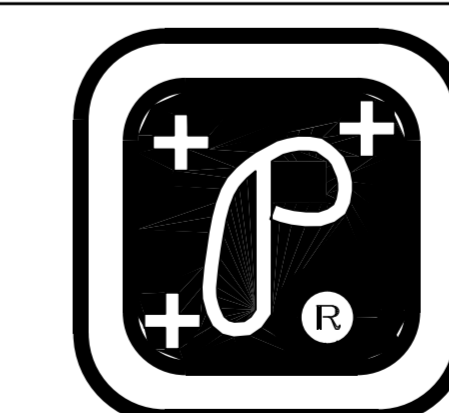
THIS DRAWING CONTAINS INFORMATION PROPRIETARY TO POSITRONIC AND ITS SUBSIDIARIES. POSITRONIC BELIEVES THE DATA ON THIS DRAWING TO BE RELIABLE, SINCE THE TECHNICAL INFORMATION IS GIVEN FREE OF CHARGE, THE USER EMPLOYS SUCH INFORMATION AT HIS OWN DISCRETION AND RISK. POSITRONIC ASSUMES NO RESPONSIBILITY FOR RESULTS OBTAINED OR DAMAGES INCURRED FROM USE OF SUCH INFORMATION IN WHOLE OR IN PART.

DATE	REV	REVISION RECORD	APP	DR	CK
09-06 19	B	ECO 69334	RK	PY	ND

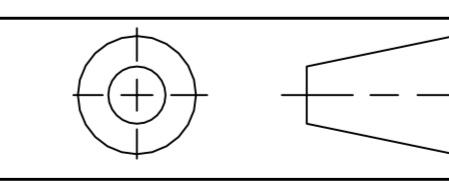


NOTES:

1. MATERIALS AND FINISHES: PRECISION MACHINED COPPER ALLOY, GOLD FLASH OVER NICKEL PLATE.
2. DETAILED PRODUCT, MECHANICAL AND ELECTRICAL INFORMATION IS AVAILABLE IN THE LATEST STANDARD DENSITY D-SUB PRODUCT PUBLICATION AT CONNECTPOSITRONIC.COM.
3. CONTACTS ARE COMPLIANT TO THE CURRENT RoHS DIRECTIVE.
4. DIMENSIONS ARE IN INCHES [MILLIMETERS].



**POSITRONIC INDUSTRIES INC.**  
 SPRINGFIELD, MISSOURI 65801



DECIMAL TOL.  
 $\pm 0.015$  [0.38]

ANGULAR TOL.  
 $\pm 5^\circ$

ODD SERIES

TITLE  
 MC8122D/AA

DATE  
 4-13-06

DRAWING NUMBER  
 SK7268

SCALE  
 N.T.S.

DRAWN BY  
 YK  
 APPROVED BY  
 R. WILLIAMS

REV.  
 B

## X-ON Electronics

Largest Supplier of Electrical and Electronic Components

*Click to view similar products for [D-Sub Contacts](#) category:*

*Click to view products by [Positronic](#) manufacturer:*

Other Similar products are found below :

[D02-22-26S-10000](#) [8656352067LF](#) [124C10019X](#) [131A11039X](#) [131J21029X](#) [131J21039X](#) [132J22039X](#) [1757912-1](#) [1757913-1](#) [030-1955-000](#) [030-50634](#) [053744-0098](#) [601098N003](#) [86303057NLF](#) [162A11819X](#) [1-208778-5](#) [FC120N2](#) [MC7526D/AA](#) [FC4010D-15](#) [FC4006D](#) [121A05329A](#) [D\\*C-20-22P-PKG100](#) [164C12969X](#) [09692825723](#) [CUC-DSC-J1BAU-S/DSC22](#) [131C11129X](#) [L17DM53744206](#) [L17DM53744207](#) [L17DM53744-6](#) [L17RRD1M11400](#) [030-1952-000](#) [030-1955-000](#) [09692817823](#) [FMP003S106](#) [8630-165](#) [9560008277](#) [030-1953-000](#) [030-1953-030](#) [162A18419X](#) [09670003672](#) [09670007166](#) [09692815422](#) [162A18719X](#) [FMP003P106](#) [132C11039X](#) [132A15019X](#) [132J15019X](#) [132C15019X](#) [132C11019X](#) [132A10039X](#)