

6

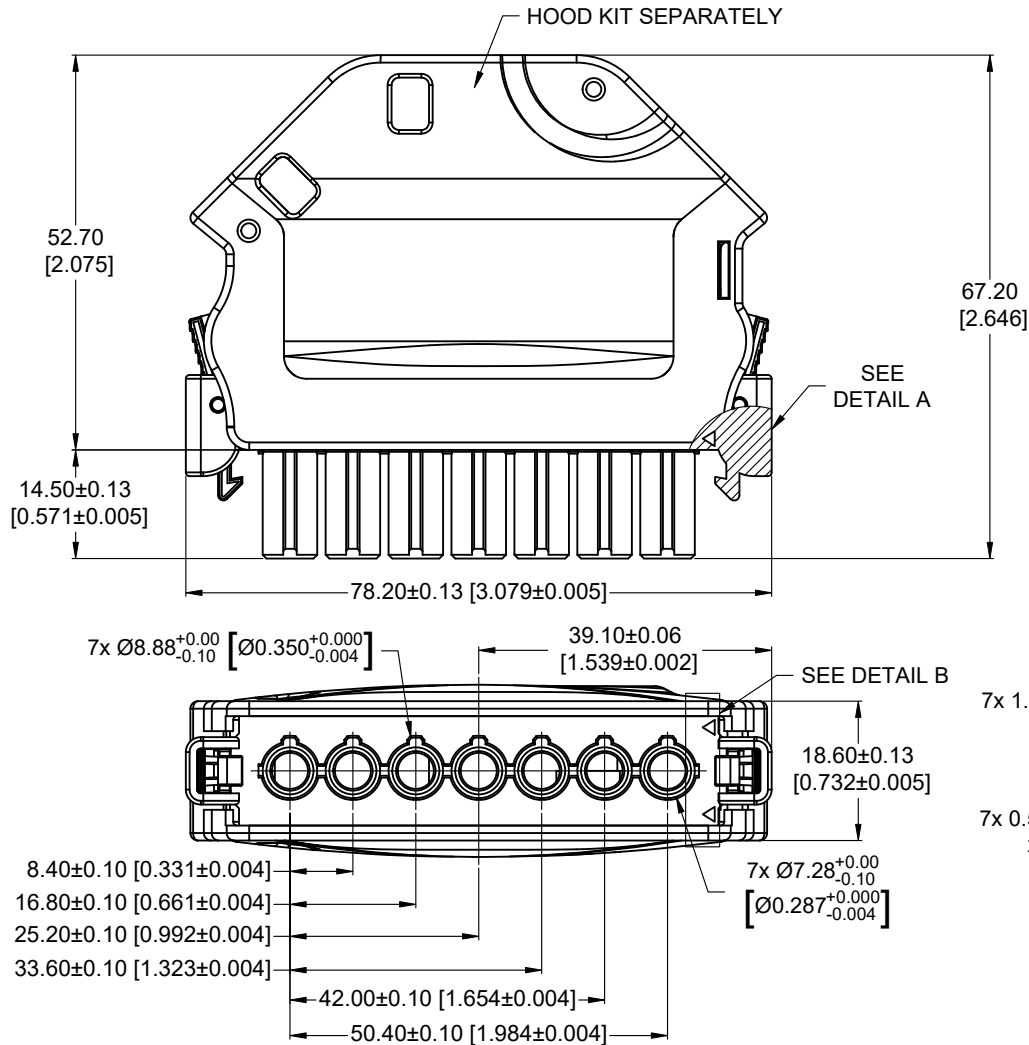
5

4

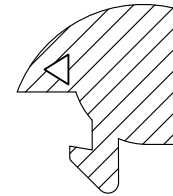
3

2

1



DETAIL A
(SCALE 2X)

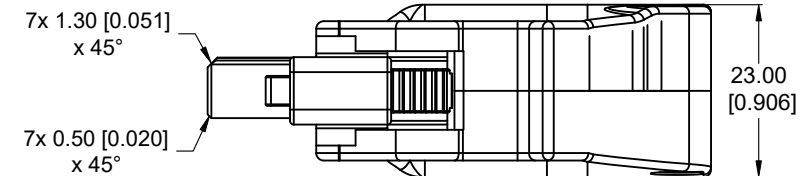


"◁" INDICATE STARTING POINT
OF CONTACT POSITION 1

DETAIL B
(SCALE 2X)





"◁" INDICATE STARTING POINT
OF CONTACT POSITION 1



NOTES:

- MATERIALS AND FINISHES:
 INSULATOR : GLASS-FILLED POLYESTER, UL 94V-0. COLOR: BLUE (HALOGEN-FREE).
 HOOD: GLASS-FILLED POLYESTER, UL 94V-0. COLOR: BLACK (HALOGEN-FREE), KIT SEPARATELY.
 LATCH: PPO, UL 94V-0. COLOR: BLACK (HALOGEN-FREE).
 SCREWS: STEEL, ZINC PLATE WITH CHROMATE SEAL. KIT SEPARATELY.
 CONTACTS: ORDER CONTACTS SEPARATELY.
- COMPLIANT TO THE CURRENT ROHS DIRECTIVE.
- THIS MOS ALLOWS FOR THE CONNECTOR TO BE SUPPLIED WITH SPECIAL CONTACTS MODULES WHICH ALLOWS FOR TOUCH SAFE FEATURE.
 THIS MOS ALSO ALLOWS FOR SPECIAL HOOD DESIGNED FOR OCP WHICH HAS 45° CABLE OPENING.

BY JH	CHK JH	POSTRONIC BELIEVES THE DATA ON THE DRAWING TO BE RELIABLE. THE USER EMPLOYS SUCH INFORMATION AT HIS OWN DISCRETION AND RISK. POSTRONIC ASSUMES NO RESPONSIBILITY FOR RESULTS OBTAINED OR DAMAGES INCURRED FROM USE OF SUCH INFORMATION IN WHOLE OR IN PART.	
APR EH	RELEASED DATE 25-02-2022		
TOLERANCES ± 0.03mm (.001 INCHES) FOR MALE CONTACT MATING DIAMETERS ± 0.08mm (.003 INCHES) FOR CONTACT TERMINATION DIAMETERS ± 0.13mm (.005 INCHES) FOR ALL OTHER DIAMETERS ± 0.38mm (.015 INCHES) FOR ALL OTHER DIMENSIONS ± 5° FOR ALL ANGLES DIMENSION ARE IN		SCALE NTS	
PART NUMBER SP10RSS1F0W01/AA-2268		SERIES SP	
TITLE FEMALE CONNECTOR			
CREATED ON	SHEET SHEET 1 OF 2	REV C	

X-ON Electronics

Largest Supplier of Electrical and Electronic Components

Click to view similar products for [Power to the Board](#) category:

Click to view products by [Positronic](#) manufacturer:

Other Similar products are found below :

[6450552-7](#) [6643429-1](#) [6646040-2](#) [6766604-1](#) [120959-1](#) [1393557-2](#) [1393532-2](#) [1393532-3](#) [1393532-4](#) [1393557-1](#) [1744132-7](#) [1766250-1](#)
[1892109-1](#) [1-6450850-6](#) [1-6450869-6](#) [1645526-2](#) [2005243-2](#) [377-0020-11130](#) [MC116N](#) [TE34-12-16P-F0](#) [51700-10201602AALF](#) [51970-004](#) [5-6450830-6](#) [4-6600333-3](#) [10125416-4050LF](#) [10130248-005LF](#) [6600320-3](#) [IPBT-103-H1-T-S-RA](#) [1888123-2](#) [6766605-1](#) [701-15-02109](#)
[6450810-7](#) [46437-1112](#) [6450813-2](#) [6450842-4](#) [10108877-R24403SLF](#) [1645523-1](#) [PSS-06-01-T-S](#) [FWS-03-04-T-S](#) [51760-10301603ABLF](#)
[MDF6-TA2022HC](#) [FWS-05-01-T-S](#) [51720-10206002AALF](#) [QE-POL-KEY](#) [FWS-08-01-T-S](#) [698-0075-04](#) [6651670-1](#) [MC120N](#) [2-1600788-6](#)
[1761385-3](#)