

6

5

4

3

2

1

D

D

C

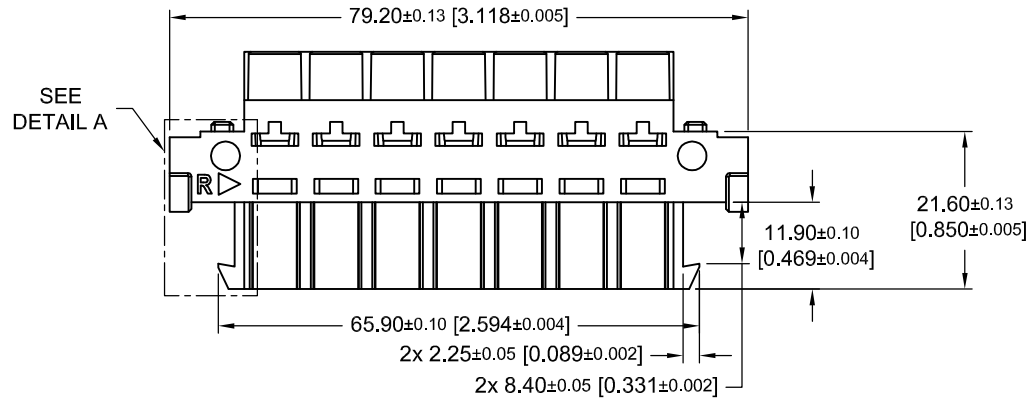
C

B

B

A

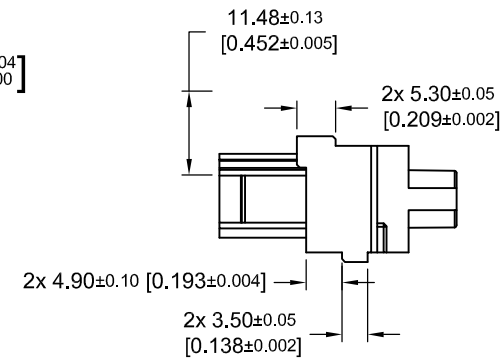
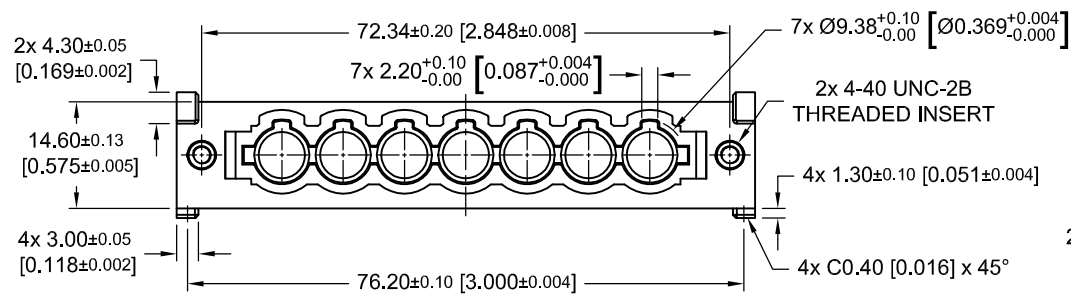
A



## DETAIL A




"R" INDICATE RIGHT SIDE CONNECTOR.  
 "▷" INDICATE STARTING POINT OF CONTACT POSITION 1.  
 FOR LEFT SIDE CONNECTOR, PLEASE REFER TO DETAIL B ON SHEET 3.



## NOTES:

- MATERIALS AND FINISHES:  
 INSULATOR : GLASS-FILLED POLYESTER, UL 94V-0. COLOR: BLUE. (HALOGEN-FREE)  
 CONTACTS: ORDER CONTACTS SEPARATELY.  
 THREADED INSERT: COPPER ALLOY.
- COMPLIANT TO THE CURRENT ROHS DIRECTIVE.
- THIS DRAWING IS COMMONLY USED FOR RIGHT AND LEFT SIDE CONNECTOR.
- THIS MOS ALLOWS FOR THE CONNECTOR TO BE SUPPLIED WITH SPECIAL CONTACTS MODULES WHICH ALLOWS FOR TOUCH SAFE FEATURE.
- RECOMMENDED WIPE LENGTH FOR 1ST MATE IS 7MM AND STANDARD MATE IS 4MM.

BY	JH	CHK	JH	POSITRONIC BELIEVES THE DATA ON THE DRAWING TO BE RELIABLE. THE USER EMPLOYS SUCH INFORMATION AT HIS OWN DISCRETION AND RISK. POSITRONIC ASSUMES NO RESPONSIBILITY FOR RESULTS OBTAINED OR DAMAGES INCURRED FROM USE OF SUCH INFORMATION IN WHOLE OR IN PART.	 Positronic®
APR	EH	RELEASED DATE	25-02-2022		
TOLERANCES	$\pm 0.03\text{mm}$ L001 INCHES FOR MALE CONTACT MATING DIAMETERS $\pm 0.08\text{mm}$ L003 INCHES FOR CONTACT TERMINATION DIAMETERS $\pm 0.13\text{mm}$ L005 INCHES FOR ALL OTHER DIAMETERS $\pm 0.38\text{mm}$ L015 INCHES FOR ALL OTHER DIMENSIONS $\pm 5^\circ$ FOR ALL ANGLES DIMENSIONS ARE IN MILLIMETERS [INCHES]			SCALE	NTS
PART NUMBER				SP10RSS1M2001/AA-2268	
TITLE				MALE CONNECTOR	
CREATED ON		SHEET		REV	
24-02-2022		SHEET 1 OF 3		D	

6

5

4

3

2

1

6

5

4

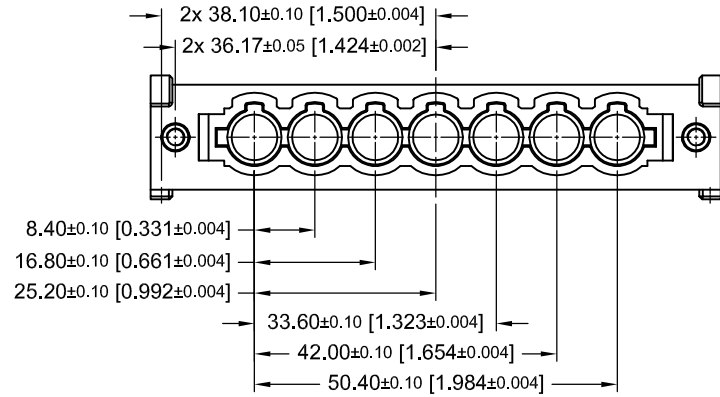
3

2

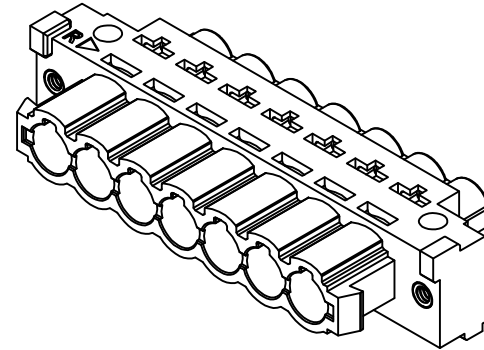
1

D

D



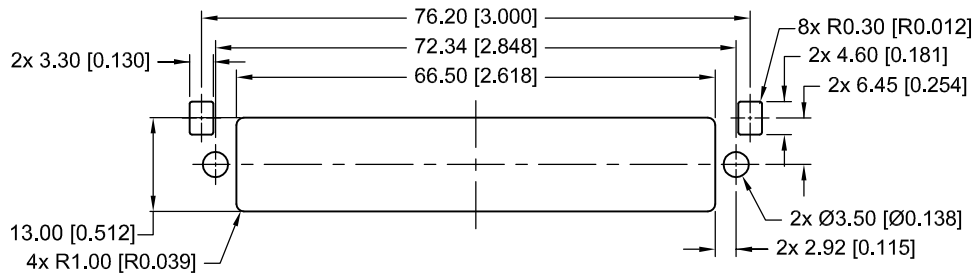
3D VIEW FOR RIGHT SIDE CONNECTOR



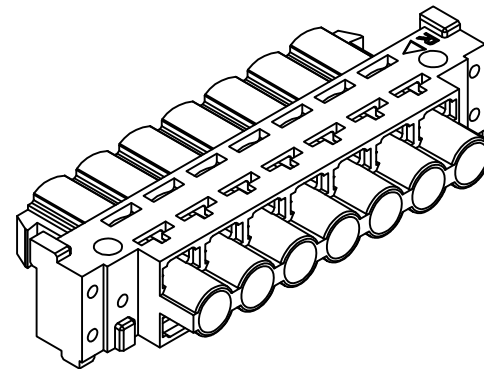
C

C

PANEL CUTOUT (FOR RIGHT SIDE CONNECTOR)  
(GENERAL TOLERANCE: ±0.13 [±0.005])



REFERENCE VIEW FOR AFTER CRIMP CONTACTS ARE INSTALLED

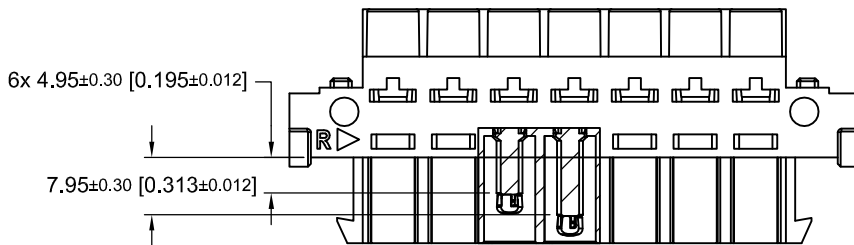


B

B

A

A



3RD ANGLE 	PART NUMBER SP10RSSSIM2001/AA-2268	SERIES SP
	DESCRIPTION MALE CONNECTOR	
SCALE NTS	CREATED ON 24-02-2022	SHEET SHEET 2 OF 3 REV D

6

5

4

3

2

1

6

5

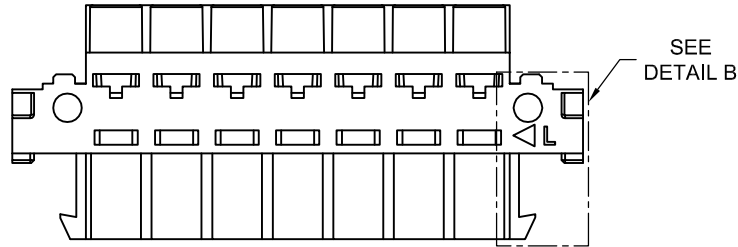
4

3

2

1

**VIEW FOR LEFT SIDE CONNECTOR**  
 (FOR DIMENSIONS, PLEASE REFER TO RIGHT SIDE CONNECTOR)

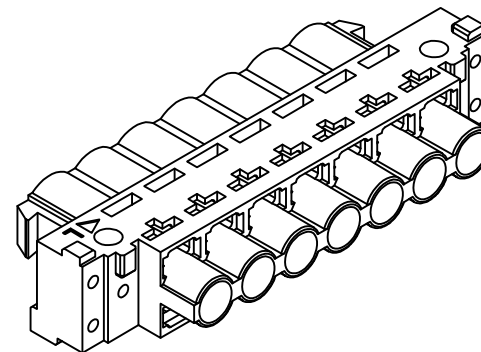
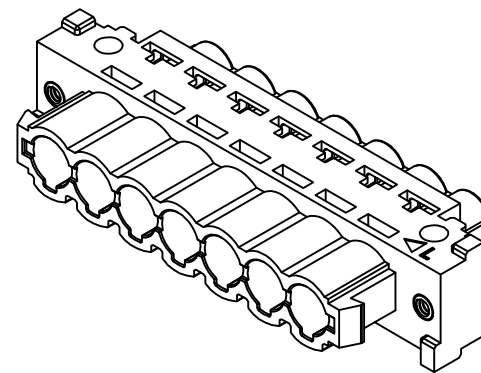


**DETAIL B**

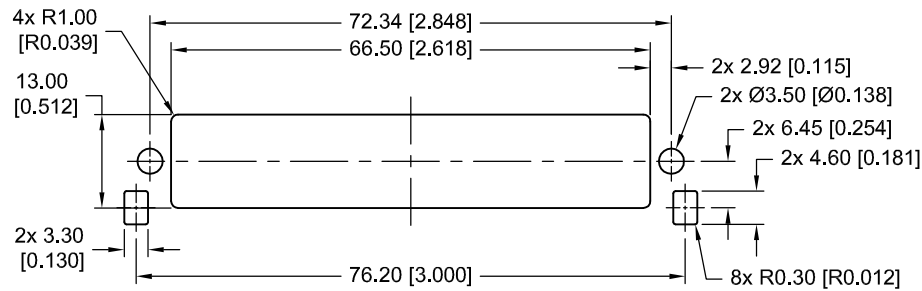


"L" INDICATE LEFT SIDE CONNECTOR.  
 "◁" INDICATE STARTING POINT OF CONTACT POSITION 1.

**3D VIEW FOR LEFT SIDE CONNECTOR**



**PANEL CUTOUT (FOR LEFT SIDE CONNECTOR)**  
 (GENERAL TOLERANCE:  $\pm 0.13$  [ $\pm 0.005$ ])



3RD ANGLE 	PART NUMBER	SP10RSSS1M2001/AA-2268	SERIES	SP
	DESCRIPTION	MALE CONNECTOR		
SCALE	CREATED ON	SHEET	REV	
NTS	24-02-2022	SHEET 3 OF 3	D	

6

5

4

3

2

1

## X-ON Electronics

Largest Supplier of Electrical and Electronic Components

*Click to view similar products for [Power to the Board](#) category:*

*Click to view products by [Positronic](#) manufacturer:*

Other Similar products are found below :

[6450552-7](#) [6643429-1](#) [6646040-2](#) [6766604-1](#) [120959-1](#) [1393557-2](#) [1393532-2](#) [1393532-3](#) [1393532-4](#) [1393557-1](#) [1744132-7](#) [1766250-1](#)  
[1892109-1](#) [1-6450850-6](#) [1-6450869-6](#) [1645526-2](#) [2005243-2](#) [377-0020-11130](#) [MC116N](#) [TE34-12-16P-F0](#) [51700-10201602AALF](#) [51970-004](#) [5-6450830-6](#) [4-6600333-3](#) [10125416-4050LF](#) [10130248-005LF](#) [6600320-3](#) [IPBT-103-H1-T-S-RA](#) [1888123-2](#) [6766605-1](#) [701-15-02109](#)  
[6450810-7](#) [46437-1112](#) [6450813-2](#) [6450842-4](#) [10108877-R24403SLF](#) [1645523-1](#) [PSS-06-01-T-S](#) [FWS-03-04-T-S](#) [51760-10301603ABLF](#)  
[MDF6-TA2022HC](#) [FWS-05-01-T-S](#) [51720-10206002AALF](#) [QE-POL-KEY](#) [FWS-08-01-T-S](#) [698-0075-04](#) [6651670-1](#) [MC120N](#) [2-1600788-6](#)  
[1761385-3](#)