

6

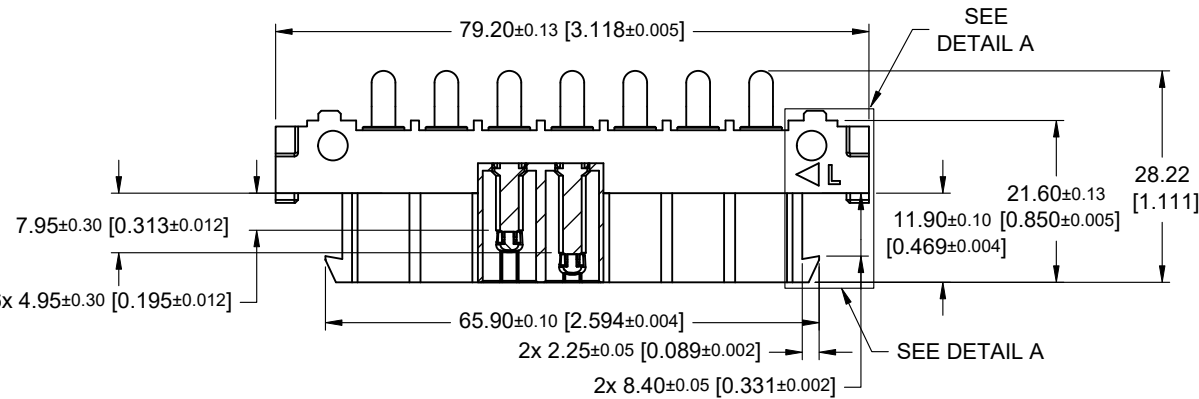
5

4

3

2

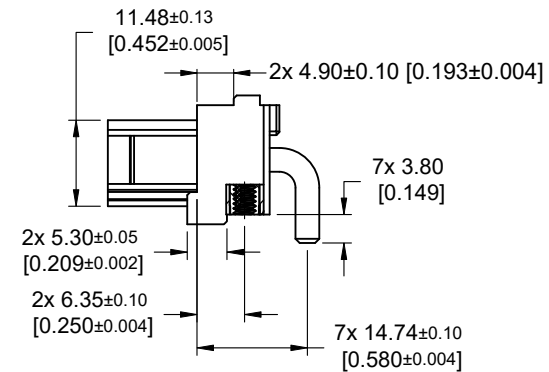
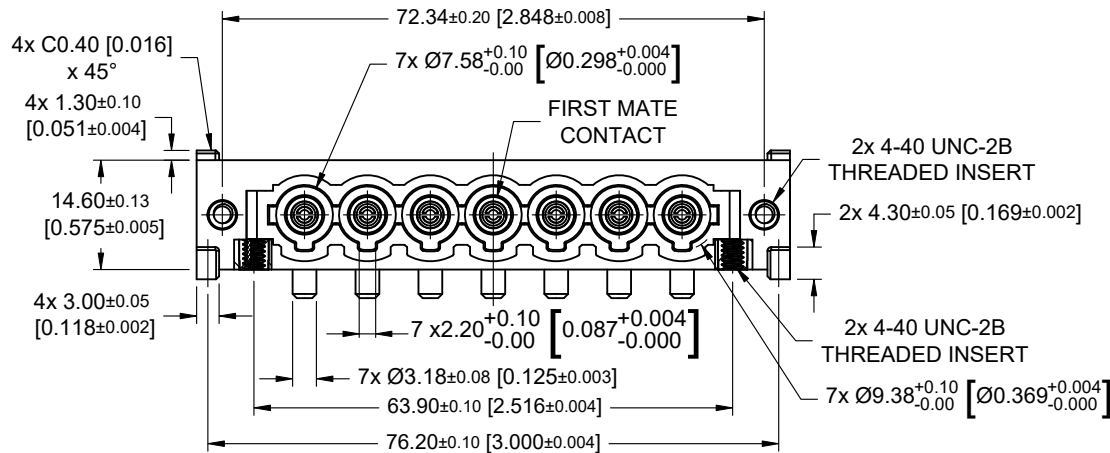
1



DETAIL A




"L" INDICATE LEFT SIDE CONNECTOR.
 "◁" INDICATE STARTING POINT OF CONTACT POSITION 1.



NOTES:

- MATERIALS AND FINISHES:
 INSULATOR : GLASS-FILLED POLYESTER, UL 94V-0. COLOR: BLUE. (HALOGEN-FREE)
 POWER CONTACTS: HIGH CONDUCTIVITY COPPER ALLOY WITH GOLD FLASH OVER NICKEL PLATE.
 THREADED INSERT: COPPER ALLOY.
- COMPLIANT TO THE CURRENT ROHS DIRECTIVE.
- THIS MOS ALLOWS FOR THE CONNECTOR TO BE SUPPLIED WITH SPECIAL CONTACTS AND CONTACT MODULES WHICH ALLOWS FOR TOUCH SAFE FEATURE.
 THIS MOS ALSO ALLOWS FOR FIRST MATE CONTACT TO BE LOADED IN THE CENTRE CONTACT POSITION OF THE CONNECTOR.

BY	JH	CHK	JH	POSITRONIC BELIEVES THE DATA ON THE DRAWING TO BE RELIABLE. THE USER EMPLOYS SUCH INFORMATION AT HIS OWN DISCRETION AND RESUME. POSITRONIC ASSUMES NO RESPONSIBILITY FOR RESULTS OBTAINED OR DAMAGES INCURRED FROM USE OF SUCH INFORMATION IN WHOLE OR IN PART.	 Positronic	
APP	EH	RELEASED DATE	25-02-2022			
TOLERANCES	± 0.03mm (0.001 INCHES) FOR MALE CONTACT MATING DIAMETERS ± 0.08mm (0.003 INCHES) FOR CONTACT TERMINATION DIAMETERS ± 0.13mm (0.005 INCHES) FOR ALL OTHER DIAMETERS			SCALE	NTS	
PART NUMBER				SP10RSSS48RM220A1/AA-2269	SERIES	SP

D

C

B

A

X-ON Electronics

Largest Supplier of Electrical and Electronic Components

Click to view similar products for [Power to the Board](#) category:

Click to view products by [Positronic](#) manufacturer:

Other Similar products are found below :

[6450552-7](#) [6643429-1](#) [6646040-2](#) [6766604-1](#) [120959-1](#) [1393557-2](#) [1393532-2](#) [1393532-3](#) [1393532-4](#) [1393557-1](#) [1744132-7](#) [1766250-1](#)
[1892109-1](#) [1-6450850-6](#) [1-6450869-6](#) [1645526-2](#) [2005243-2](#) [377-0020-11130](#) [MC116N](#) [TE34-12-16P-F0](#) [51700-10201602AALF](#) [51970-004](#) [5-6450830-6](#) [4-6600333-3](#) [10125416-4050LF](#) [10130248-005LF](#) [6600320-3](#) [IPBT-103-H1-T-S-RA](#) [1888123-2](#) [6766605-1](#) [701-15-02109](#)
[6450810-7](#) [46437-1112](#) [6450813-2](#) [6450842-4](#) [10108877-R24403SLF](#) [1645523-1](#) [PSS-06-01-T-S](#) [FWS-03-04-T-S](#) [51760-10301603ABLF](#)
[MDF6-TA2022HC](#) [FWS-05-01-T-S](#) [51720-10206002AALF](#) [QE-POL-KEY](#) [FWS-08-01-T-S](#) [698-0075-04](#) [6651670-1](#) [MC120N](#) [2-1600788-6](#)
[1761385-3](#)