



PSC-481 Series



Features:

- Universal AC input (88-264V AC)
- Installed on DIN rail TS-35 / 7.5 or 15
- Built-in active PFC function, PF > 0.95
- 150% peak load capability
- Protection: SCP, OLP, OVP, OTP
- Two selectable peak load modes
- Built-in DC OK (Open Collector Signal)
- Built-in Remote ON / OFF function
- 3 years warranty
- UL 508

OUTPUT

INPUT

PROTECTION

ENVIRONMENT

SAFETY & EMC

OUTPUT

Cat. No.

PSC-48124

PSC-48148

DC VOLTAGE
RATED CURRENT
CURRENT RANGE
RATED POWER
PEAK CURRENT
PEAK POWER

24V
20A
0~20A
480W
30A
720W (3sec.) Two selectable peak load modes

48V
10A
0~10A
480W
15A

RIPPLE & NOISE (max)

240mVp-p | 480mVp-p

VOLTAGE ADJ. RANGE
VOLTAGE TOLERANCE

-5% ~ +5%
±1.0%
Tolerance: includes set up tolerance, line regulation and load regulation.

±1.0%

LINE REGULATION
LOAD REGULATION
SETUP, RISE TIME
HOLD UP TIME (Typ.)

±0.5%
±1.0%
800ms, 100ms / 230VAC / 115VAC at full load
16ms / 230VAC; 16ms / 115VAC at full load

±0.5%
±1.0%

VOLTAGE RANGE

88 ~ 264VAC; 124 ~ 373VDC
Derating may apply in low input voltage. Please check the derating curve for more details.

FREQUENCY RANGE
POWER FACTOR (Typ.)
EFFICIENCY (Typ.)
AC CURRENT (Typ.)
INRUSH CURRENT (Typ.)
LEAKAGE CURRENT

47 ~ 63Hz
0.96 / 230VAC / 115VAC at full load
93%
5.0A / 115VAC; 2.5A / 230VAC
33A / 115VAC; 65A / 230VAC
< 1mA / 240VAC

94%

OVERLOAD

105% ~ 150% rated output power for 3 sec and then shutdown in O/P with auto-recovery.
150% or greater rated power or short circuit is constant current limiting.
If O/P drops to 40% output then it auto-recover 5 times; if fault condition is not removed during auto recovery, the system will shut down and needs to be restarted to recover.

OVER VOLTAGE

29 ~ 33V | 56 ~ 65V
Protection type: Latch-off mode.

OVER TEMPERATURE

95 ±5°C (TSW: detect on heatsink of power diode)
Protection type: Shut down o/p voltage, recovers automatically after temperature goes down

WORKING TEMP.

-20 ~ +70°C (Refer to output load derating curve)
Installation clearance: 40mm from top, 20mm from the left and right side are recommended when loaded permanently with full power. In case the adjacent device is a heat source, 15mm clearance is recommended.

WORKING HUMIDITY
STORAGE TEMP. / HUMIDITY
TEMP. COEFFICIENT
VIBRATION

20 ~ 95% RH non-condensing
-40 ~ +85°C; 10 ~ 95% RH
±0.03% / °C (0 ~ 50°C)
10 ~ 500Hz, 2G 10min. / 1cycle, 60 min. each long X, Y, Z axes

SAFETY STANDARDS
WITHSTAND VOLTAGE
ISOLATION RESISTANCE
EMI CONDUCTION & RADIATION
HARMONIC CURRENT
EMS IMMUNITY

UL 508 / EN 60950-1
I/P-O/P: 4242VDC, I/P-FG: 2121VDC, O/P-FG: 707VDC, O/P-DC OK: 707VDC
I/P-O/P, I/P-FG, O/P-FG: >100M Ohms / 500VDC / 25°C / 70% RH
EN 55022 (CISPR22), EN 61000-6-3
EN61000-3-2, -3-3
IEC 61000-4-2, 3, 4, 5, 6, 8, 11; EN 61000-6-1; EN 61204-3
The power supply is considered a component which will be installed into a final equipment. The final equipment must be re-confirmed that it still meets EMC directives.

DC OK RELAY CONTACT RATINGS (max)
DIMENSION
PACKING

60VDC / 0.3A, 30VDC / 1A, 30VAC / 0.5A resistive load
86.3x124.8x123.4 mm (WxHxD)
1.45kg; 8pcs / 12kg
All parameters NOT specially mentioned are measured at 230VAC input, rated load and 25°C of ambient temperature.

Mechanical Specification

Unit : mm / inch

Terminal Pin No. Assignment (TB1)

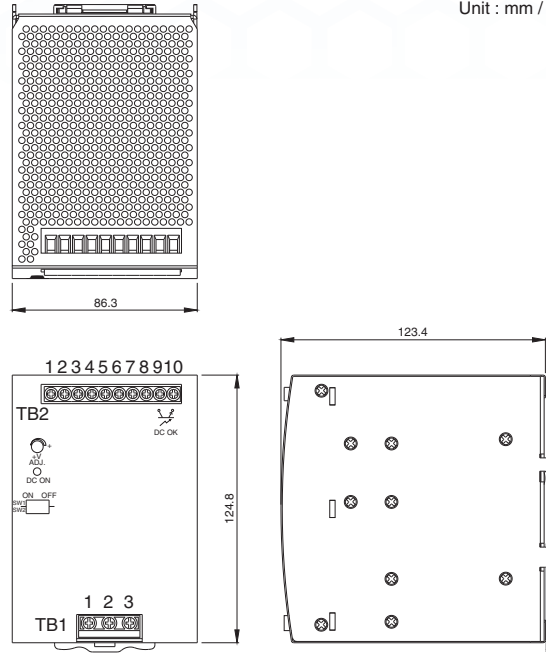
Pin NO.	Assignment
1	FG ⊕
2	AC/L
3	AC/N

Terminal Pin No. Assignment (TB2)

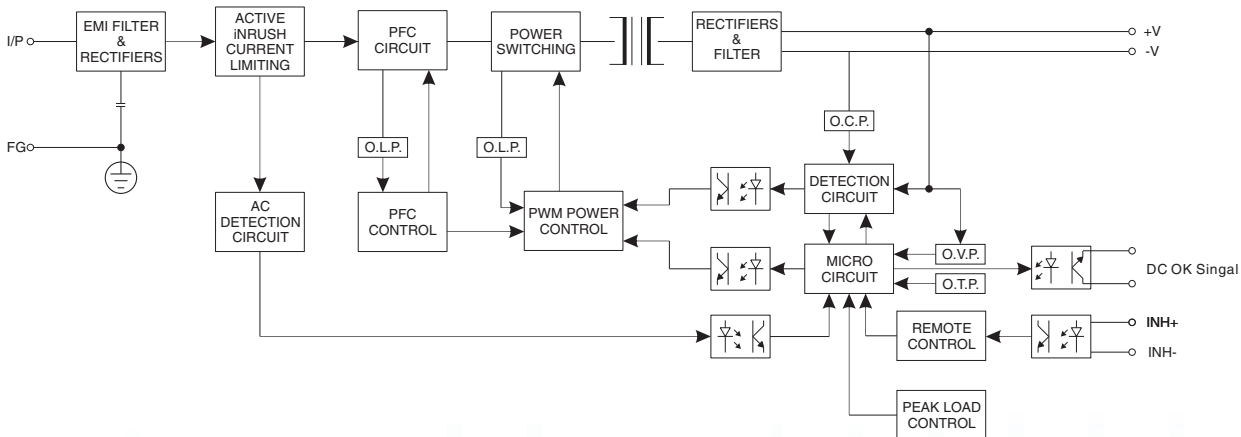
Pin NO.	Assignment
1-3	DC+
4-6	DC-
7	INH+
8	INH-
9,10	DC OK Singal

Switch No. Assignment

SW NO.	Assignment
SW1	PEAK LOAD SETTING
SW2	REMOTE ON/OFF SETTING



Block Diagram



DC OK Relay Contact

Contact Ratings(max.)	CTR : MIN. 50% at $I_f = 5mA, V_{ce} = 5V$
Isolation Voltage	Between input and output $V_{iso} = 3750V_{rms}$

Note: All dimensions are in millimeters, to convert to inches multiply by 0.03937.

X-ON Electronics

Largest Supplier of Electrical and Electronic Components

Click to view similar products for [DIN Rail Power Supplies](#) category:

Click to view products by [Altech](#) manufacturer:

Other Similar products are found below :

[PS-3015](#) [PSP-480S48](#) [PSR-SD25](#) [PS-S6024](#) [DR-45-24](#) [DRP048V120W1BA](#) [DVP01PU-S](#) [DVP06AD-S](#) [DVP06XA-S](#) [DVDPNET-SL](#)
[DV PDT01-S](#) [DVPPS01](#) [DVPPS02](#) [KHNA30F-5](#) [KHNA60F-24](#) [S8JX-G01524](#) [S8JX-G01548C](#) [S8JX-G03512D](#) [S8VS-09024B-F](#) [PS-6012](#)
[PS9Z-5R1G](#) [PS-C24024](#) [PSC-9648](#) [5607189](#) [KHNA30F-24](#) [KHNA480F-24](#) [KHNA90F-12](#) [KHNA90F-24](#) [DVP08ST11N](#) [DVPACAB530](#)
[DVPCOPM-SL](#) [DVPEN01-SL](#) [DVPPF01-S](#) [S8JX-G10012](#) [S8JX-G15024](#) [CBI1210A](#) [SS14011524](#) [S8JX-G01505C](#) [S8TS-06024-E1](#) [PS-](#)
[S2012](#) [PSW-12024](#) [PS-UPS40](#) [PSC-6024](#) [S8VS-48024A-F](#) [PSD-A60W12](#) [96PS-A120WDIN](#) [PSD-A60W48](#) [S8JX-G03515CD](#) [PSD-](#)
[A40W12](#) [PSD-A40W24](#)