

P1110-EVB

Evaluation Board for P1110 Powerharvester[®] Receiver

Description:

The P1110-EVB contains an evaluation board and antennas to test and develop with the P1110 Powerharvester Receiver. The P1110 converts RF energy (radio waves) into DC power which can be stored in a battery or capacitor, or used to directly power a circuit.

Items included:

- 1 – Evaluation Board for P1110 Powerharvester Receiver (see description on next page)
- 1 – 915 MHz PCB dipole antenna (see description below)
- 1 – 915 MHz PCB patch antenna (see description below)

Note – this kit needs to receive power from an RF source such as a transmitter or test equipment.

Instructions:

1. Download the P1110 product datasheet from www.powercastco.com/documentation to learn about the specific I/O and functions of the P1110.
2. Connect one of the antennas to the SMA connector (J1) on the evaluation board, or connect J1 directly to RF test equipment. See datasheet for maximum input power.
3. Adjust switches S1, S2, S3, and S4 to desired settings. See descriptions on next page.
4. Place evaluation board on flat surface and connect test meters as desired.
5. Turn on the source of RF energy (e.g. Powercast transmitter, test equipment, other transmitter)

Support:

Website: <http://www.powercastco.com/documentation/>
Email: contact@powercastco.com
Phone: +1 412-455-5800 (Eastern Time Zone – USA)

Item Descriptions

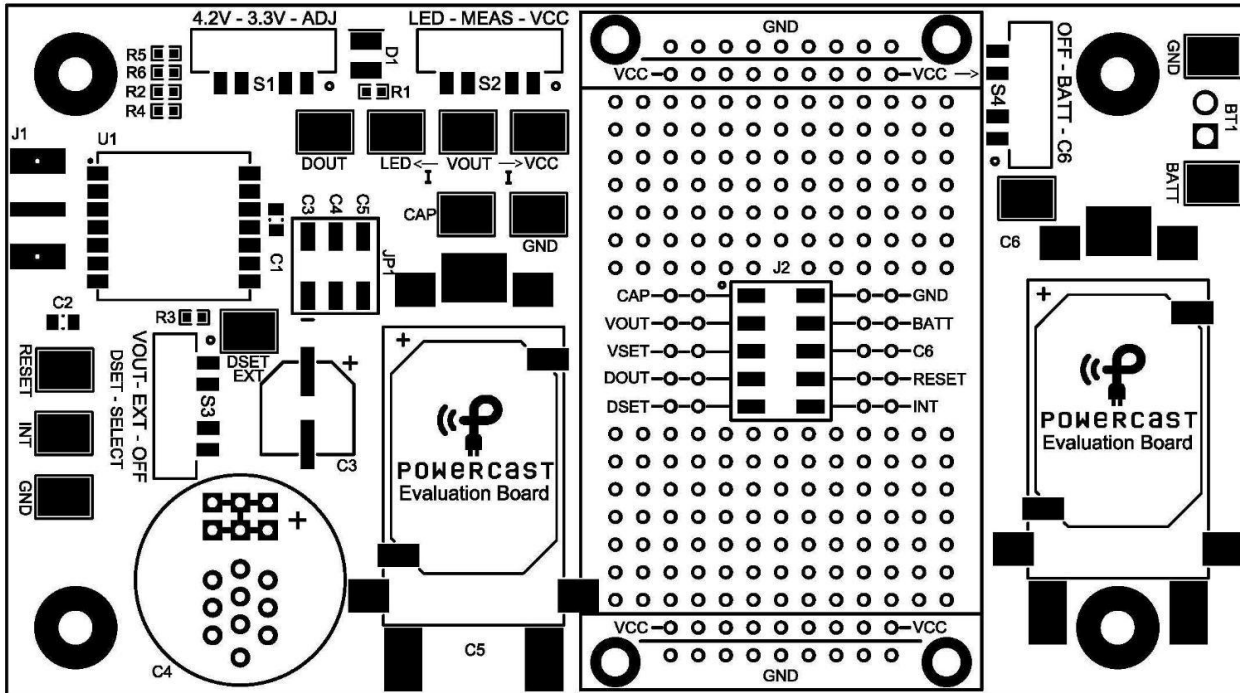
915 MHz PCB Dipole Antenna

This antenna is flat and has the RF connector located at the bottom of the antenna. Type: omni-directional, vertically polarized
Energy pattern: 360°
Antenna gain: Linear gain = 1.25 (1.0 dBi)

915 MHz PCB Patch Antenna

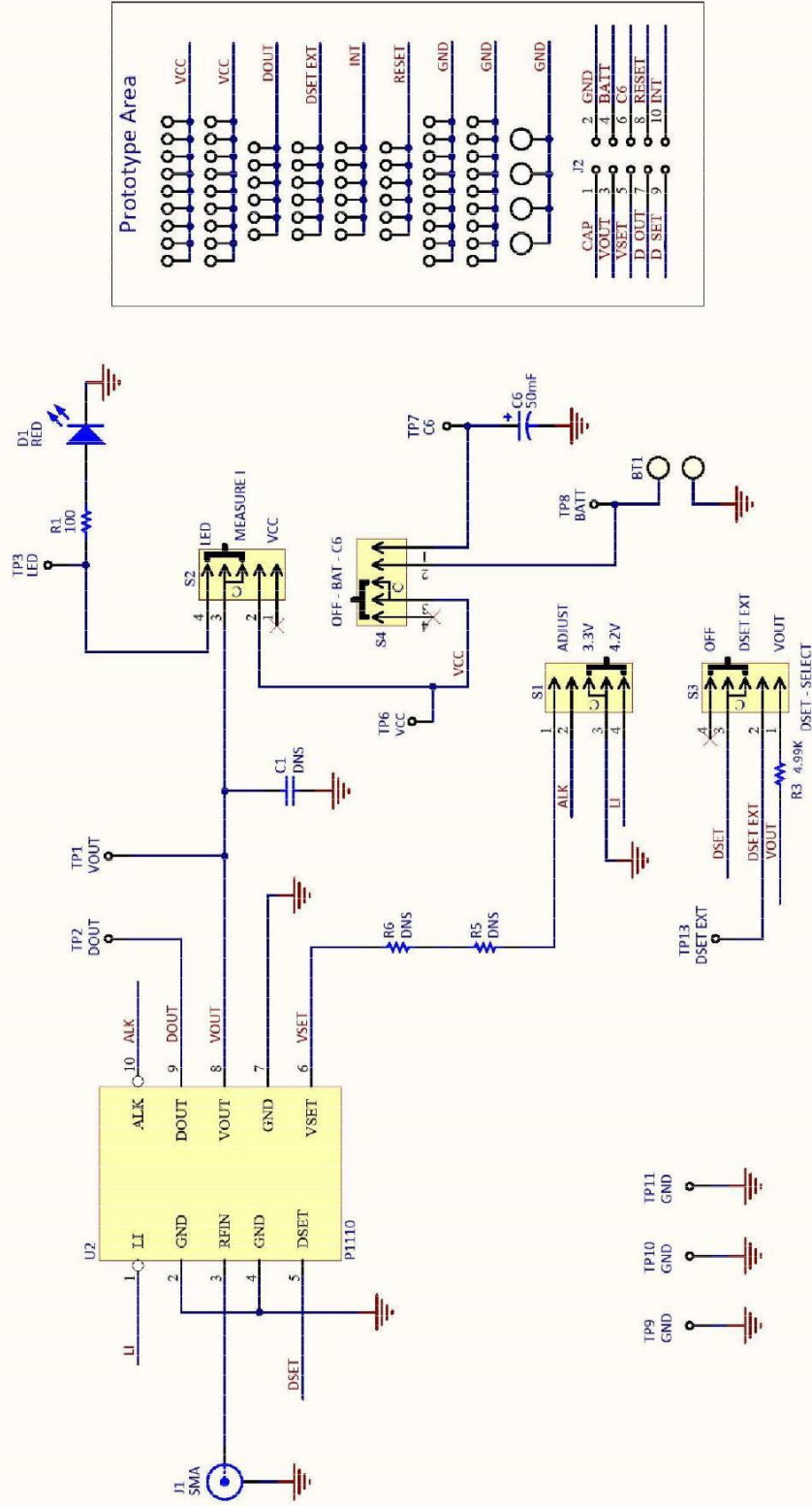
This antenna has two layers and the RF connector located on the back of the antenna. The front side should be pointed toward the transmitter with the same polarization
Type: directional, vertically polarized
Energy pattern: 122° (azimuth/horizontal), 68° (elevation/vertical)
Antenna gain: Linear gain = 4.1 (6.1 dBi)

Evaluation Board



Component	Description
S1	Switch for max. output voltage – 4.2V, 3.3V, ADJ (custom using R5 + R6 – see datasheet)
S2	Switch for output power LED (power sent to illuminate LED D1) MEAS (use with test points VOUT to LED or VOUT to STORE and in-line current meter) VCC (power sent to test area and S4)
S3	Switch for DSET selection. When enabled, RSSI is available through DOUT. VOUT (Enabled by on-board voltage source (>1V) from C6 or BT1 through switch S4) EXT (Enabled by external source through DSET EXT test point) OFF (Normal charging operation)
S4	Switch for charging on-board capacitor C6, or external battery through BT1
C1	Optional output filtering for VOUT – 10 uF recommended (see datasheet)
C2,C3,C4,C5	Not used
C6	50mF supercapacitor – storage for Powerharvester output
JP1	Not used
D1	LED for visual indication of power output
R1	Resistor for LED (D1)
R2	Not used
R4	Not used
R5	Resistor for max output voltage adjustment (see datasheet for R5+R6 selection)
R6	Resistor for max output voltage adjustment (see datasheet for R5+R6 selection)
BT1	External battery connection
J1	SMA connector for antenna or RF input (add DC block for DC short antenna)
J2	Connector for add-on boards Connector on board: FCI – P/N: 52601-G10-8LF Mating connector: Sullins – P/N: SFH11-PBPC-D05-ST-BK
U2	P1110 Powerharvester receiver (see datasheet for pin descriptions)

P1110 - EVB Evaluation Board



Title: Powerharvester™ Evaluation Board		Revision: B	
Number: P1110-EVB		Date: 8/31/2010	
Size: A	Date: 8/31/2010	Sheet: 1 of 1	File: P1110-EVB.SchDoc



Copyright 2007 - 2010
Powercast Corporation
566 Alpha Dr
Pittsburgh, PA 15238

X-ON Electronics

Largest Supplier of Electrical and Electronic Components

Click to view similar products for [RF Development Tools](#) category:

Click to view products by [Powercast](#) manufacturer:

Other Similar products are found below :

[MAAP-015036-DIEEV2](#) [EV1HMC1113LP5](#) [EV1HMC252AQS24](#) [EV1HMC6146BLC5A](#) [EV1HMC637ALP5](#) [EVAL01-HMC1048LC3B](#)
[EVAL01-HMC661LC4B](#) [EVAL-ADF7020-1DBZ4](#) [EVAL-ADF7020-1DBZ5](#) [EVAL-ADF7020-1DBZ6](#) [EVAL-ADF7021DB9Z](#) [EVAL-](#)
[ADF7021DBJZ](#) [EVAL-ADF7021DBZ2](#) [EVAL-ADF7021DBZ6](#) [EVAL-ADF7021-NDBZ2](#) [EVAL-ADF7021-VDB3Z](#) [EVAL-ADF7023DB3Z](#)
[EVAL-ADF7023-JDB3Z](#) [EVAL-ADF70XXEKZ1](#) [EVAL-ADF7241DB1Z](#) [F0440EVBI](#) [F1423EVB-DI](#) [F1423EVB-SI](#) [F1701EVBI](#)
[F1751EVBI](#) [F2250EVBI](#) [MICRF219A-433 EV](#) [122410-HMC686LP4E](#) [AD6679-500EBZ](#) [126223-HMC789ST89E](#) [ADL5363-EVALZ](#)
[ADL5369-EVALZ](#) [130437-HMC1010LP4E](#) [131352-HMC1021LP4E](#) [131372-HMC951LP4E](#) [130436-HMC1010LP4E](#) [DEMOBOARD-](#)
[U2790B](#) [ATR2406-PNQW](#) [EKIT01-HMC1197LP7F](#) [Si4705-D60-EVB](#) [Si4835-Demo](#) [LMV228SDEVAL](#) [SKYA21001-EVB](#) [SMP1331-08-](#)
[EVB](#) [EV1HMC618ALP3](#) [EV1HMC641ALC4](#) [EV1HMC8410LP2F](#) [EVAL_PAN4555ETU](#) [EVAL01-HMC1041LC4](#) [EVAL-ADF7012DBZ2](#)