

Panel Specifications

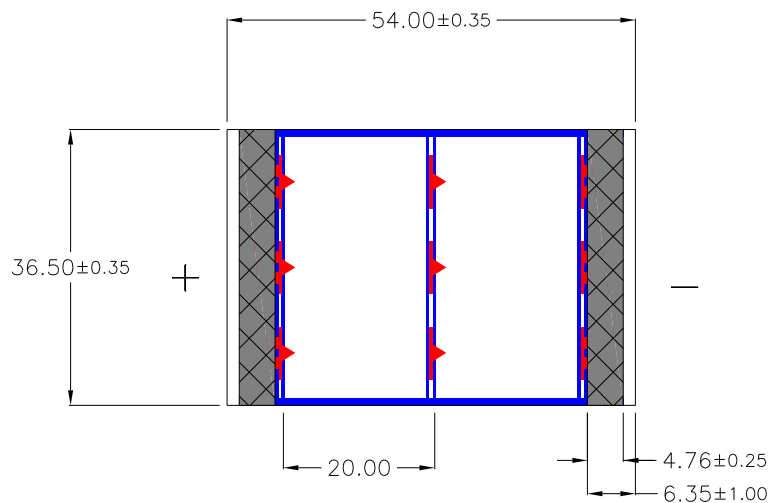
Electrical:

1000 Lux: 0.214mA at 2.1V (0.449mW)<sup>1</sup>  
 200 Lux: 0.043mA at 1.6V (0.068mW)  
 Max Voc: 3.7V (Direct Sunlight)<sup>1</sup>  
 Average Isc: 30mA (Direct Sunlight)<sup>1</sup>

Mechanical:

f/b Laminate: 3 mil PET / 3 mil PET  
 3/16 in (4.76 mm) Copper Foil Busbar  
 Thickness: 0.2–0.3mm  
 Appr. Weight: 0.7 grams  
 Operating Temperature: -25C to 65C<sup>2</sup>  
 Bend Radius: 1 inch fixed, 3 inch repetitive<sup>3</sup>  
 UV and Moisture Protection: Limited<sup>4</sup>

REVISIONS		DRAWING NO. LL200-2.4-37	
REV	DESCRIPTION	REVIEW	DATE
1	2 Cell 54 x 37 mm Tandem Low Light Module	DS	12/2/2020



1. Tested under a cool white LED spectrum. Extended exposure to direct sunlight can reduce panel performance.
2. High temperature laminates available for up to 85C continuous, 100C peak (4 hours daily).
3. Contact engineering support for tighter flexing requirements
4. Tolerant to intermittent exposure to UV, moisture and weather. Full UV and weatherproofing options are available.

This document contains information which is the property of PowerFilm Inc. It is not to be duplicated, used, or disclosed in whole or in part for any purpose without prior written permission of PowerFilm Inc. All Dimensions +/- 1.2mm mm unless specified.

**PowerFilm Inc.** 1287 XE Place  
 Ames, IA 50014  
 515-292-7606  
 515-292-1922(fax)

TITLE  
 2 Cell 54 x 37 mm Tandem Low Light Module

SCALE 1:1	DATE 12/2/2020	REF.
DRAWN Sam Jones	DRAWING NO. LL200-2.4-37	
CHECKED		

UNITS: mm

## X-ON Electronics

Largest Supplier of Electrical and Electronic Components

*Click to view similar products for [Solar Panels & Solar Cells](#) category:*

*Click to view products by [PowerFilm](#) manufacturer:*

Other Similar products are found below :

[AM-1606C-MEL](#) [200](#) [2747](#) [SC10050](#) [SC20072](#) [SC20050](#) [SC20036](#) [SC10036](#) [AM-1513CA](#) [AM-1719CA](#) [AM-1805CA](#) [AM-1820CA](#) [500](#)  
[1525](#) [3809](#) [MIKROE-651](#) [AM-1417CA](#) [AM-1454CA](#) [AM-1456CA](#) [AM-1801CA](#) [AM-1815CA](#) [AM-1816CA](#) [AM-1819CA](#) [AM-5608CAR](#)  
[AM-5610CAR](#) [AM-5706CAR](#) [AM-5902CAR](#) [AM-5904CAR](#) [AM-8702CAR](#) [AT-7665A](#) [LL200-2.4-37](#) [LL200-2.4-75](#) [LL200-3-37](#) [LL200-](#)  
[3.6-75](#) [LL200-4.8-37](#) [MP3-25](#) [MP3-37](#) [MP7.2-150F](#) [MP7.2-75F](#) [MPT15-150](#) [MPT15-75](#) [MPT2.4-21](#) [MPT3.6-150](#) [MPT3.6-75](#) [MPT4.8-150](#)  
[MPT4.8-75](#) [MPT6-150](#) [MPT6-75](#) [ONP1.2-12x24](#) [ONP1.2-37x54](#)