

- Slim Profile 3.66" x 2.28" x .66"
- Efficiency Level V
- <500mW No Load Power Consumption
- Short Circuit Protection
- Overload Protection
- No Load Operation
- 100% Burn-In/Hi-Pot Testing
- RoHS Compliant

Electrical Specifications

Input

Input Voltage	90-264VAC
Input Frequency	47-63 Hz
Input Current	2.0A @ 100VAC
Safety Isolation	3.0kVAC Input to Output 1.5kVAC Input to Ground

Output

Total Output	50-70W, see table
Output Voltage	See table
Hold Up Time	>10mS typical/full load/100VAC
Efficiency	>87% average
Minimum Load	No minimum load
Ripple & Noise	300mV peak to peak max

Protection

Overvoltage	150% of nominal output. Latching mode. Cycle AC for recovery
Overcurrent	150% of maximum output current
Short Circuit	Hiccup mode. Auto recovery

Environmental & Operating

Operating Temperature	0°C to +40°C
Storage Temperature	-20°C to +85°C
Humidity	5% - 90% non-condensing
MTBF:	>100,000 @ full load and 25°C per MIL-HDBK-217F

Compliance

Safety Approvals

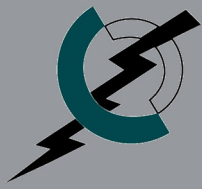
USA	UL60950-1
Canada	CSA C22.2 No. 60950-1
Europe	TUV EN60950-1

EMC:

CB Report	FCC Class B Radiated & Conducted CISPR22 Class B Radiated & Conducted EN55022 Class B Radiated & Conducted EN55024: 1998+A1: 2001+A2: 2003
Harmonic Currents	IEC 61000-3-2: 2006
Voltage Flicker	IEC 61000-3-3: 1995+A1: 2001+A2: 2005
Electrostatic Discharge	IEC 61000-4-2: 1995+A1: 1998+A2: 2000
Radiated Immunity	IEC 61000-4-3: 2006
EFT/Burst	IEC 61000-4-4: 2004
Surge Immunity	IEC 61000-4-5: 2005
Conducted Immunity	IEC 61000-4-6: 2007
Magnetic Field	IEC 61000-4-8: 1993+A1: 2000
Dips / Interruptions	IEC 61000-4-11: 2004

General

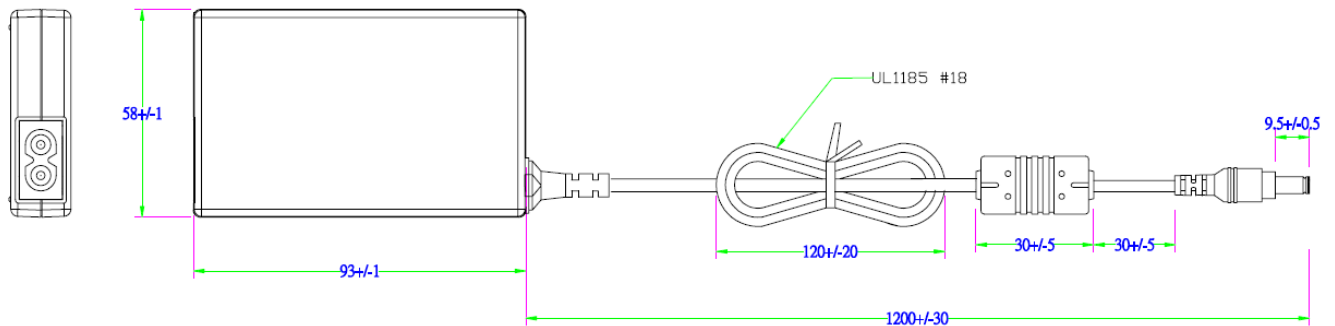
Dimensions	3.66"L x 2.28"W x 0.66"H
AC Input Receptacle	IEC320-C8
DC Output Plug	Barrel Type: 2.5mm x 5.5mm x 9.5mm Center positive polarity
Weight	0.42 pounds



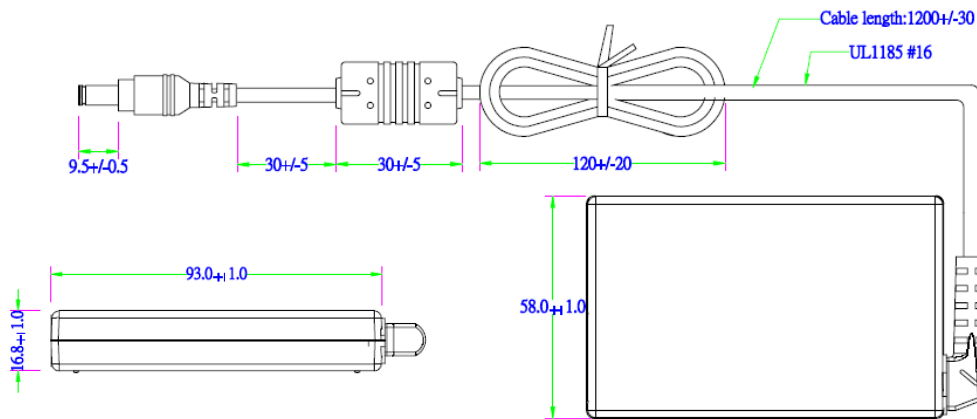
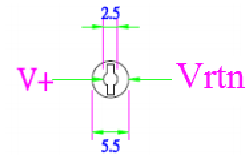
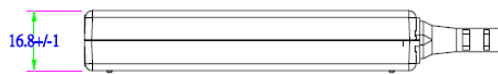
Models and Ratings Chart

Model	Output Voltage	Current	Total Power	Load Regulation	Line Regulation	Ripple & noise (p-p)
PEAD70SLF-12-B2	12V	4.16A	50W	+/-5%	+/-1%	300mV
PEAD70SLF-13-B2	15V	4.0A	60W	+/-5%	+/-1%	300mV
PEAD70SLF-13-1-B2	18V	3.89A	70W	+/-5%	+/-1%	300mV
PEAD70SLF-13-2-B2	19V	3.63A	70W	+/-5%	+/-1%	300mV
PEAD70SLF-14-B2	24V	2.91A	70W	+/-5%	+/-1%	300mV

Mechanical Outline



Model:
PEAD70SLF-13-1
PEAD70SLF-13-2
PEAD70SLF-14



Model:
PEAD70SLF-12
PEAD70SLF-13

X-ON Electronics

Largest Supplier of Electrical and Electronic Components

Click to view similar products for [Desktop AC Adapters](#) category:

Click to view products by [Power Partners](#) manufacturer:

Other Similar products are found below :

[YS50-1903150](#) [ADP-40KD BBBM](#) [DTA27-3X-W-5](#) [212A2136](#) [ADP485-01](#) [SWA-1202](#) [SWA-1501](#) [212A2220](#) [212A2220-02](#) [212A2220-04](#)
[FWE030015A-10A](#) [TRH100A135-02E12-Level-VI](#) [TRH100A180-11E13-Level-VI](#) [TRH100A240-01E13-Level-VI](#) [TRH100A280-01E13-](#)
[Level-VI](#) [TRH100A280-11E13-Level-VI](#) [TRH50A120-02E01-Level-VI](#) [TRH50A120-12E01-Level-VI](#) [TRH50A120-40E01-Level-VI](#)
[TRH50A150-12E12-Level-VI](#) [TRH50A180-11E03-Level-VI](#) [TRH50A240-02E03-Level-VI](#) [TRH70A120-11E01-Level-VI](#) [TRH70A150-](#)
[12E02-Level-VI](#) [TRH70A240-11E03-Level-VI](#) [416FG41017](#) [DTA27-0512FWX-W3](#) [TRH100A120-02E12-Level-VI](#) [TRH100A150-11E12-](#)
[Level-VI](#) [TRH100A180-02E13-Level-VI](#) [TRH100A240-02E13-Level-VI](#) [TRH100A240-36E13-Level-VI](#) [TRH100A280-12E13-Level-VI](#)
[TRH100A480-11E13-Level-VI](#) [TRH100A480-12E13-Level-VI](#) [TRH50A120-11E01-Level-VI](#) [TRH50A120-49E01-Level-VI](#) [TRH50A150-](#)
[11E02-Level-VI](#) [TRH50A150-12E02-Level-VI](#) [TRH70A120-01E01-Level-VI](#) [TRH70A480-02E03-Level-VI](#) [KR8-PS01](#) [1894875](#)
[FWE030012A-10A](#) [FWE050024B-10A](#) [820A4080G](#) [825A0052-03](#) [825A0057-03](#) [SWA-1704W](#) [AD5012N2LM-\(401\)](#)