



- Compact Size 1.5" x 3.0" x 0.94"
- Single Outputs
- Wide-range Input 90-264 VAC
- Level B Emissions
- RoHS Compliant
- CEC Level V Compliant
- LPS Compliant



### Electrical Specifications

#### Input

Input Voltage	90-264VAC
Input Frequency	47-63 Hz
Input Current	1.1A (rms) for 100VAC 0.5A (rms) for 240VAC
Earth Leakage Current	400 $\mu$ A max. @ 264 VAC, 60 Hz
No Load Input Power	<0.3 watts

#### Output

Output Voltage/Current:	See rating chart
Maximum Output Power:	See rating chart
Ripple and Noise	See rating chart
Overvoltage Protection:	Set at 110-130% of its nominal output voltage
Overcurrent Protection:	All outputs protected to short circuit conditions. Auto recovery.
Temperature Coefficient:	All outputs $\pm 0.04\%$ / $^{\circ}$ C maximum
Transient Response:	Maximum excursion of 5% or better on all models, recovering to 1% of final value within 500 us after a 50% step load change.

#### Environmental

Operating Temperature:	0 $^{\circ}$ C to +70 $^{\circ}$ C
Storage Temperature:	-40 $^{\circ}$ C to +85 $^{\circ}$ C
Relative Humidity:	5% to 95% non-condensing
Derating:	Derate from 100% to +50 $^{\circ}$ C linearly to 50% at +70 $^{\circ}$ C

#### General

Switching Frequency:	60-70 KHz
Efficiency:	Up to 91%, see rating chart
Hold-up Time:	6 ms minimum at 115 VAC
Line Regulation:	$\pm 0.5\%$ maximum at full load
Inrush Current:	80A @ 230 VAC, at 25 $^{\circ}$ C cold start
Withstand Voltage:	3000 VAC from input to output 1500 VAC from input to ground 500 VAC from output to ground
MTBF	150,000 hours at full load at 25 $^{\circ}$ C ambient calculated per MIL-HDBK-217F
LPS	All models, except PPWA40-10

#### Safety & EMC

Safety Approvals	
USA	UL60950-1
Canada	CSA C22.2 No. 60950-1
Europe	Nemko EN60950-1 CB IEC 60950-1
EN55022:	Class B conducted, class B radiated
FCC:	Class B conducted, class B radiated
VCCI:	Class B conducted, class B radiated
EN61000-3-2:	Harmonic distortion, class A
EN61000-3-3:	Line flicker
EN61000-4-2:	ESD, $\pm 8$ KV air and $\pm 4$ KV contact
EN61000-4-3:	Radiated immunity, 3 V/m
EN61000-4-4:	Fast transient/burst $\pm 1$ KV
EN61000-4-5:	Surge, $\pm 1$ KV diff., $\pm 2$ KV com
EN61000-4-6:	Conducted immunity, 3 Vms
EN61000-4-8:	Magnetic field immunity, 1 A/m
EN61000-4-11:	Voltage dip immunity, 30% reduction for 500 ms and >95% reduction for 10 ms

Your Partners in Power.....

**Power Partners, Inc. | 43 Broad Street | Hudson, MA 01749**  
**Tel: (978)567-9600 | Fax: (978)567-9601**  
**Website: www.powerpartners-inc.com**

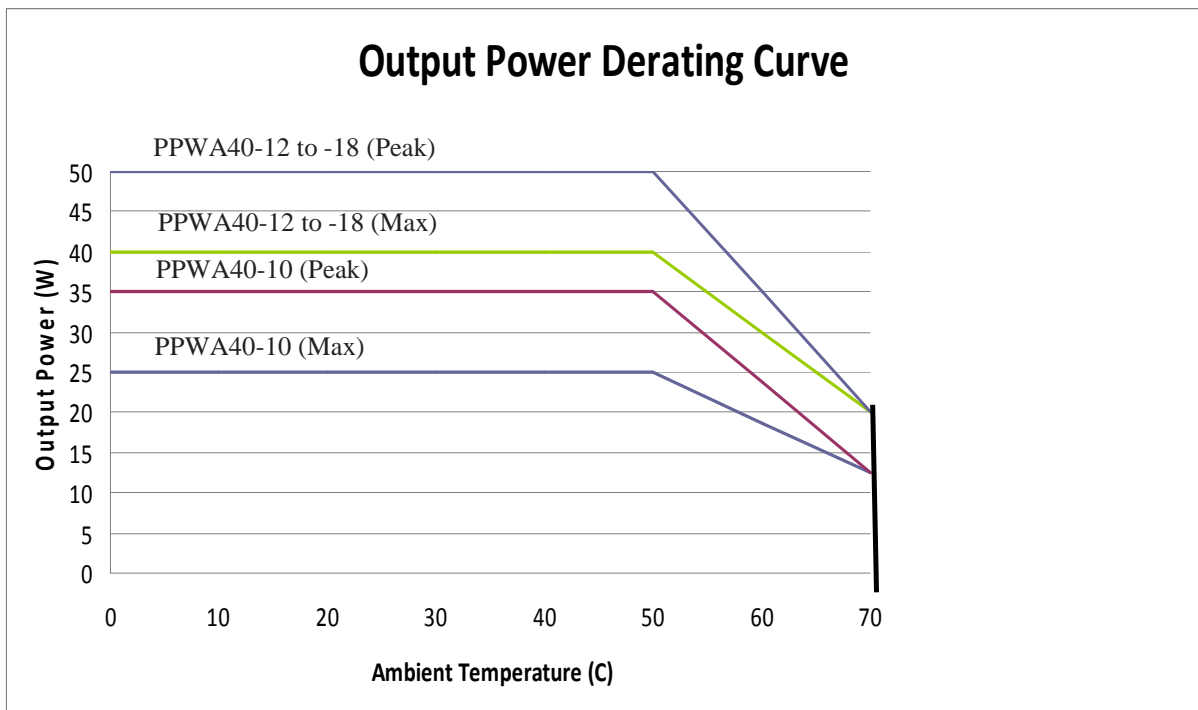
Specifications subject to change.  
PPWA40: March 15, 2016



### Models and Ratings Chart

Model	Nominal Voltage	Tolerance	Output Current			Power		Efficiency	Ripple & Noise
			Min	Max	Peak	Max	Peak		
PPWA40-10	5VDC	±5%	0A	5.00A	7.00A	25W	35W	84%	100mV
PPWA40-12	12VDC	±5%	0A	3.34A	4.17A	40W	50W	87%	120mV
PPWA40-13	15VDC	±5%	0A	2.67A	3.34A	40W	50W	89%	150mV
PPWA40-13-1	18VDC	±5%	0A	2.23A	2.78A	40W	50W	89%	180mV
PPWA40-14	24VDC	±5%	0A	1.67A	2.09A	40W	50W	90%	240mV
PPWA40-17	36VDC	±5%	0A	1.12A	1.39A	40W	50W	90%	240mV
PPWA40-18	48VDC	±5%	0A	0.84A	1.05A	40W	50W	91%	240mV

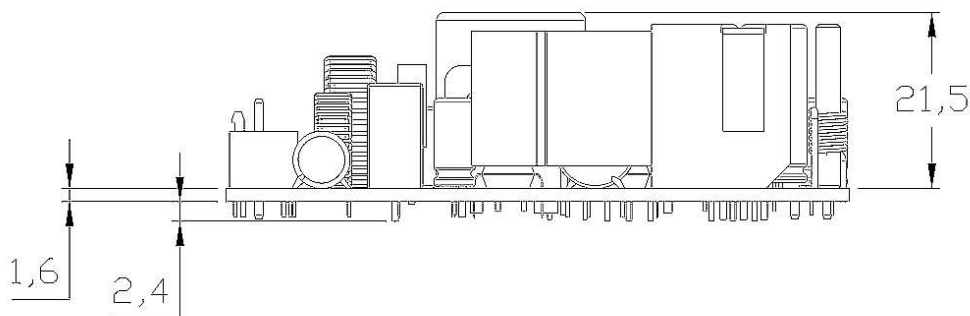
### Output Power Derating Curve





### Mechanical Outline & Pin Connections

PPWA40-1X Models



PPWA40-xx Models

Dimensions: L76.2xW38.1xH25.5mm (3" x 1.5" x 1.0")

### Connectors and Pin Assignment

#### Connector Information:

##### CN1: Input Connector

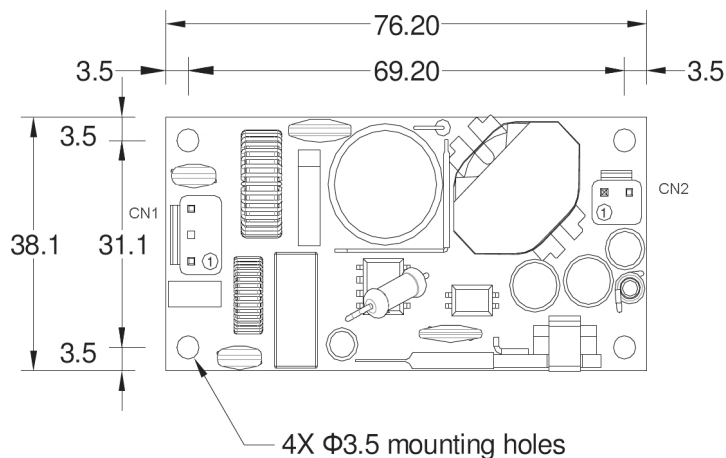
JST B3P-VH-B pitch: 7.92mm or equivalent, mates with JST VHR-3N or equivalent

Pin #	Signal
1	AC Neutral
2	AC Line

##### CN2: Output Connector

JST B2P-VH-B pitch: 3.96mm or equivalent, mates with JST VHR-2N or equivalent

Pin #	Signal
1	GND
2	+Vo



## X-ON Electronics

Largest Supplier of Electrical and Electronic Components

*Click to view similar products for [DIN Rail Power Supplies](#) category:*

*Click to view products by [Power Partners](#) manufacturer:*

Other Similar products are found below :

[PS-3015](#) [PSP-480S48](#) [PSR-SD25](#) [PS-S6024](#) [DRP048V120W1BA](#) [DVP01PU-S](#) [DVP06AD-S](#) [DVP06XA-S](#) [DVDPNET-SL](#) [DVPDT01-S](#)  
[DVPPS01](#) [DVPPS02](#) [KHNA30F-5](#) [KHNA60F-12](#) [KHNA60F-24](#) [S8JX-G01524](#) [S8JX-G01548C](#) [S8JX-G03512D](#) [S8VS-09024B-F](#) [PS-6012](#)  
[PS9Z-5R1G](#) [PS-C24024](#) [PSC-9648](#) [5607189](#) [KHNA30F-24](#) [KHNA480F-24](#) [KHNA90F-12](#) [KHNA90F-24](#) [DVP08ST11N](#) [DVPACAB530](#)  
[DVPCOPM-SL](#) [DVPEN01-SL](#) [DVPPF01-S](#) [S8JX-G10012](#) [S8JX-G15024](#) [CBI1210A](#) [HB5-3/OV-A+G](#) [SS14011524](#) [S8JX-G01505C](#) [S8TS-](#)  
[06024-E1](#) [PS-S2012](#) [PSW-12024](#) [PS-UPS40](#) [PSC-6024](#) [S8VS-48024A-F](#) [PSD-A60W12](#) [96PS-A120WDIN](#) [PSD-A60W48](#) [S8JX-G03515CD](#)  
[PSD-A40W12](#)