

- Active Power Factor Correction
- Efficiency Level V
- >87% Efficient
- <500mW No Load Power Consumption
- Short Circuit Protection
- Overload Protection
- Overvoltage Protection
- No Load Operation
- 100% Burn-In/Hi-Pot Testing
- RoHS Compliant

Electrical Specifications

Input

Input Voltage	90-264VAC
Input Frequency	47-63 Hz
Input Current	3.5A @ 90VAC / 1.5A @ 264VAC
Power Factor	Per EN61000-3-2
Leakage Current	<228µA @ 264VAC
Safety Isolation	4.0kVAC Input to Output 1.5kVAC Input to Ground

Output

Total Output	250W
Output Voltage	See table
Hold Up Time	16mS minimum/full load/115VAC
Efficiency	>87%
Minimum Load	No minimum load
Transient Response	+/-5% maximum with 100% load step 200mA per µsec maximum
Turn-On Delay	2 seconds maximum

Protection

Overvoltage	Set at 110%-140% of nominal.
Short Circuit	Latching mode. Cycle AC for recovery
Overload	Hiccup mode. Auto recovery

Environmental & Operating

Operating Temperature	-20°C to +40°C Derate from 100% to 40%, from +40°C To +70°C
Storage Temperature	-20°C to +85°C
Forced Air Cooling	40mm Temperature Controlled Internal Fan
Humidity	10% - 95% non-condensing
MTBF:	>140,000 hours @ full load and 25°C per MIL-HDBK-217F

Compliance

Safety Approvals

USA	UL60601-1
Canada	CSA C22.2 No. 60601-1
Europe	TUV EN60601-1

Isolation:

4000VAC input to output, 2 x MOPP
1500 VAC input to ground, 1 x MOPP
500 VAC output to Ground, 1 x MOPP

EMC:

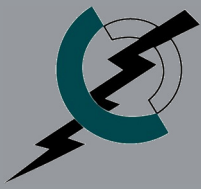
FCC Part 18 Class B Radiated &
Conducted EN60601-1-2: 2001+A1: 2006
EN55011: 2007

Harmonic Currents
Voltage Flicker
Electrostatic Discharge
Radiated Immunity
EFT/Burst
Surge Immunity
Conducted Immunity
Magnetic Field
Dips / Interruptions

IEC 61000-3-2: 2006, Class D
IEC 61000-3-3: 1995+A1: 2000+A2: 2005
IEC 61000-4-2: 1995+A1: 1998+A2: 2000
IEC 61000-4-3: 2006
IEC 61000-4-4: 2004
IEC 61000-4-5: 2005
IEC 61000-4-6: 2007
IEC 61000-4-8: 1993+A1: 2000
IEC 61000-4-11: 2004

General

Dimensions	7.42"L x 4.1"W x 2.36"H
AC Input Receptacle	IEC320-C14
DC Output Plug	Molex 6-pin Mini Fit
Weight	2.34 pounds

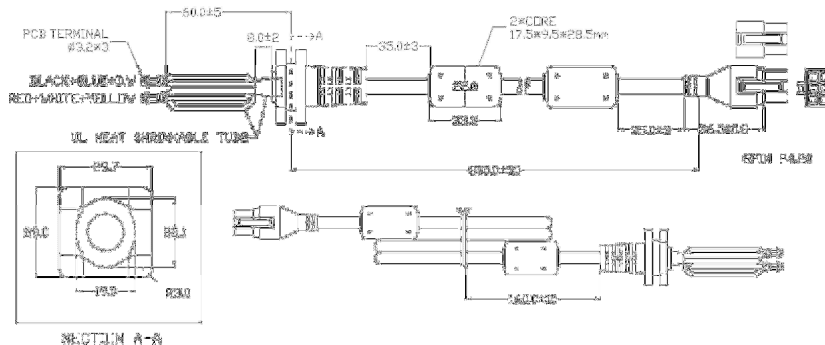
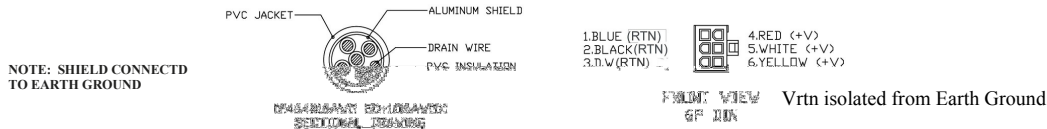
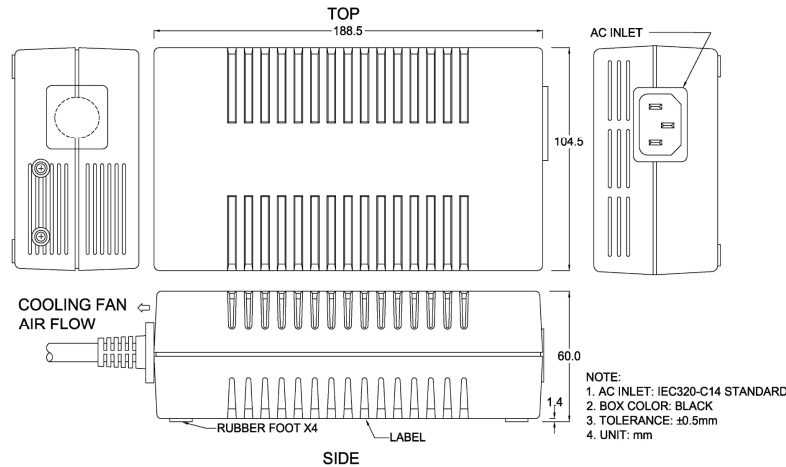


Models and Ratings Chart

Model	Voltage	Current	Total Power	Regulation	Ripple & Noise (p-p)
PPWAMD250-12	12VDC	20.83A	250W	±5%	240mV
PPWAMD250-13	15VDC	16.67A	250W	±5%	300mV
PPWAMD250-13-2	19VDC	13.16A	250W	±5%	300mV
PPWAMD250-13-3	20VDC	12.5A	250W	±5%	300mV
PPWAMD250-14	24VDC	10.42A	250W	±5%	300mV
PPWAMD250-17	36VDC	6.94A	250W	±5%	300mV
PPWAMD250-18	48VDC	5.21A	250W	±5%	300mV

NOTE:
RIPPLE & NOISE MEASURED PEAK-TO-PEAK 20 MHZ BANDWIDTH WITH A 10µF CAPACITOR IN PARALLEL WITH A 0.1µF CAPACITOR.

Mechanical Outline / Output Cable and Pin Assignment



X-ON Electronics

Largest Supplier of Electrical and Electronic Components

Click to view similar products for [Desktop AC Adapters](#) category:

Click to view products by [Power Partners](#) manufacturer:

Other Similar products are found below :

[YS50-1903150](#) [ADP-40KD BBBM](#) [DTA27-3X-W-5](#) [212A2136](#) [ADP485-01](#) [SWA-1202](#) [SWA-1501](#) [212A2220](#) [212A2220-02](#) [212A2220-04](#)
[FWE030015A-10A](#) [TRH100A135-02E12-Level-VI](#) [TRH100A180-11E13-Level-VI](#) [TRH100A240-01E13-Level-VI](#) [TRH100A280-01E13-](#)
[Level-VI](#) [TRH100A280-11E13-Level-VI](#) [TRH50A120-02E01-Level-VI](#) [TRH50A120-12E01-Level-VI](#) [TRH50A120-40E01-Level-VI](#)
[TRH50A150-12E12-Level-VI](#) [TRH50A180-11E03-Level-VI](#) [TRH50A240-02E03-Level-VI](#) [TRH70A120-11E01-Level-VI](#) [TRH70A150-](#)
[12E02-Level-VI](#) [TRH70A240-11E03-Level-VI](#) [416FG41017](#) [DTA27-0512FWX-W3](#) [TRH100A120-02E12-Level-VI](#) [TRH100A150-11E12-](#)
[Level-VI](#) [TRH100A180-02E13-Level-VI](#) [TRH100A240-02E13-Level-VI](#) [TRH100A240-36E13-Level-VI](#) [TRH100A280-12E13-Level-VI](#)
[TRH100A480-11E13-Level-VI](#) [TRH100A480-12E13-Level-VI](#) [TRH50A120-11E01-Level-VI](#) [TRH50A120-49E01-Level-VI](#) [TRH50A150-](#)
[11E02-Level-VI](#) [TRH50A150-12E02-Level-VI](#) [TRH70A120-01E01-Level-VI](#) [TRH70A480-02E03-Level-VI](#) [KR8-PS01](#) [1894875](#)
[FWE030012A-10A](#) [FWE050024B-10A](#) [820A4080G](#) [825A0052-03](#) [825A0057-03](#) [SWA-1704W](#) [AD5012N2LM-\(401\)](#)