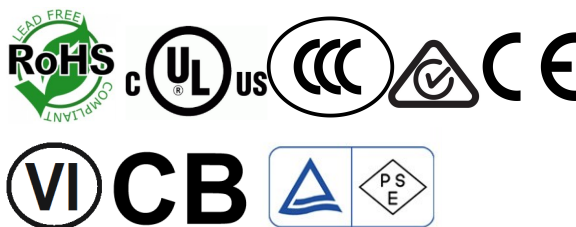




- Class I and II Configurations Available
- Efficiency Level VI
- <210mW No Load Power Consumption
- Short Circuit Protection
- Overload Protection
- No Load Operation



Electrical Specifications

Input

Input Voltage	90-264VAC
Input Frequency	47-63 Hz
Input Current	1.5A Max.
Inrush Current	<40A peak @ 264VAC, cold start at 25°C
No Load Power Consumption	< 210mW, meets DOE level VI requirements

Output

Output Power	65W max, see table for details
Output Voltage	see table
Turn On Time	<3S @100-240VAC input & full output load
Rise Time	20mS max. @ full load
Fall Time	20mS max. @ full load
Hold-up time	10mS min @ full load 115VAC input
Line Regulation	20mS min @ full load 230VAC input
Load Regulation	± 1% of rated output voltage at fixed load
Transient Response	± 5% of rated voltage from 0 to full load
Efficiency	Maximum voltage excursion of 5% for 25% load change with 0.25A/uS slew rate. Recovery time: 200uS Meets DOE level VI requirements

Protection

Short Circuit Protection	Hiccup mode. Auto recovery.
Overcurrent Protection	150-200% of rated current. Auto-restart when fault removed.
Ingress Protection	IP22 Compliant

Environmental & Operating

Operating Temperature	0°C to +60°C (Derate output power linearly from 100% at 40°C to 50% at 60°C)
Storage Temperature	-20°C to +80°C
Humidity	10% - 90% non-condensing
Operating Altitude	<2000m
MTBF	>100,000 hours per MIL-HDBK-217F at full load and 25°C ambient

Compliance

Safety Approvals	USA: UL60950-1 Canada: cUL60950-1 Europe: CB Report, CE Report RCM (Australia)
EMC:	FCC Class B Radiated & Conducted CISPR22 Class B Radiated & Conducted EN55022 Class B Radiated & Conducted
Harmonic Currents	IEC 61000-3-2
Voltage Flicker	IEC 61000-3-3
Electrostatic Discharge	IEC 61000-4-2: ±8 KV air, ±4 KV contact
Radiated Immunity	IEC 61000-4-3: 3V/m
EFT/Burst	IEC 61000-4-4: ±1 KV
Surge Immunity	IEC 61000-4-5: ±1 KV differential mode
Conducted Immunity	IEC 61000-4-6: 3Vrms
Magnetic Field	IEC 61000-4-8: 1A/m
Dips / Interruptions	IEC 61000-4-11: 30% reduction for 500 ms, and >95% reduction for 10 ms

General

Dimensions	4.72"(120.3mm) x 1.98"(50.3mm) x 1.32"(33.6mm)
AC Input	IEC60320 C14, C6, C8, C18
Output Plug	Barrel Type: 5.5mm x 2.1mm x 10mm Center positive (others available)
Weight	0.60 pounds

Model No.	Output voltage	Current	Total Power	Output Regulation	Ripple & Noise (Vp-p) ¹	Efficiency Level
PSAD65-12-B1	12VDC	5A	60W	±5%	200mV	VI
PSAD65-13-B1	15VDC	4.33A	65W	±5%	200mV	VI
PSAD65-13-1-B1	18VDC	3.61A	65W	±5%	200mV	VI
PSAD65-13-2-B1	19VDC	3.42A	65W	±5%	200mV	VI
PSAD65-14-B1	24VDC	2.70A	65W	±5%	200mV	VI
PSAD65-17-B1	36VDC	1.80A	65W	±5%	360mV	VI
PSAD65-18-B1	48VDC	1.35A	65W	±5%	480mV	VI

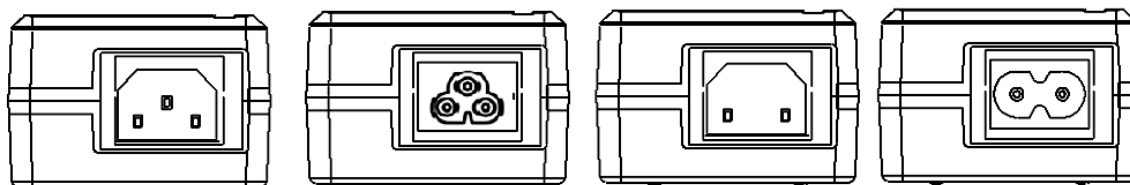
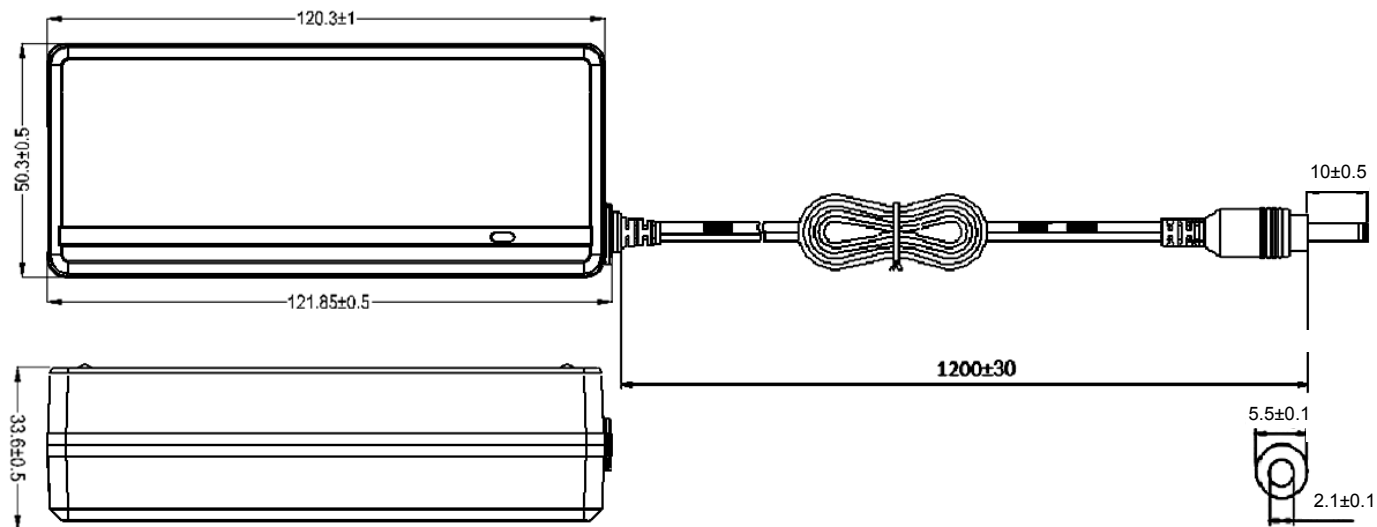
1. Ripple and noise is measured at output within 20MHz bandwidth, at rated line voltage and full load, with a 10 μ F tantalum capacitor in parallel with a 0.1 μ F ceramic capacitor across the output.

For C8 input receptacle, use model number PSAD65SF-XX-B2.

For C6 input receptacle, use model number PSAD65S-XX-B2.

For C18 input receptacle, use model number PSAD65F-XX-B2.

Mechanical Outline



X-ON Electronics

Largest Supplier of Electrical and Electronic Components

Click to view similar products for [Desktop AC Adapters](#) category:

Click to view products by [Power Partners / TT Electronics](#) manufacturer:

Other Similar products are found below :

[YS50-1903150](#) [ADP-40KD BBBM](#) [DTA27-3X-W-5](#) [212A2136](#) [ADP485-01](#) [SWA-1202](#) [SWA-1501](#) [212A2220](#) [212A2220-02](#) [212A2220-04](#)
[FWE030015A-10A](#) [TRH100A135-02E12-Level-VI](#) [TRH100A180-11E13-Level-VI](#) [TRH100A240-01E13-Level-VI](#) [TRH100A280-01E13-](#)
[Level-VI](#) [TRH100A280-11E13-Level-VI](#) [TRH50A120-02E01-Level-VI](#) [TRH50A120-12E01-Level-VI](#) [TRH50A120-40E01-Level-VI](#)
[TRH50A150-12E12-Level-VI](#) [TRH50A180-11E03-Level-VI](#) [TRH50A240-02E03-Level-VI](#) [TRH70A120-11E01-Level-VI](#) [TRH70A150-](#)
[12E02-Level-VI](#) [TRH70A240-11E03-Level-VI](#) [416FG41017](#) [DTA27-0512FWX-W3](#) [TRH100A120-02E12-Level-VI](#) [TRH100A150-11E12-](#)
[Level-VI](#) [TRH100A180-02E13-Level-VI](#) [TRH100A240-02E13-Level-VI](#) [TRH100A240-36E13-Level-VI](#) [TRH100A280-12E13-Level-VI](#)
[TRH100A480-11E13-Level-VI](#) [TRH100A480-12E13-Level-VI](#) [TRH50A120-11E01-Level-VI](#) [TRH50A120-49E01-Level-VI](#) [TRH50A150-](#)
[11E02-Level-VI](#) [TRH50A150-12E02-Level-VI](#) [TRH70A120-01E01-Level-VI](#) [TRH70A480-02E03-Level-VI](#) [KR8-PS01](#) [1894875](#)
[FWE030012A-10A](#) [FWE050024B-10A](#) [820A4080G](#) [825A0052-03](#) [825A0057-03](#) [SWA-1704W](#) [AD5012N2LM-\(401\)](#)