

## Three Phase Rectifier Bridge

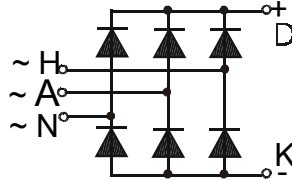
## PSD 27

$$I_{dAV} = 28 \text{ A}$$

$$V_{RRM} = 600-1200 \text{ V}$$

Preliminary Data Sheet

$V_{RSM}$ $V_{DSM}$ (V)	$V_{RRM}$ $V_{DRM}$ (V)	Type
700	600	PSD 27/06
900	800	PSD 27/08
1300	1200	PSD 27/12



Symbol	Test Conditions	Maximum Ratings
$I_{dAV}^*$	$T_C = 100 \text{ }^\circ\text{C}$ , (per module)	28 A
$I_{FSM}$	$T_{VJ} = 45 \text{ }^\circ\text{C}$ t = 10 ms (50 Hz), sine	100 A
	$V_R = 0$ t = 8.3 ms (60 Hz), sine	106 A
	$T_{VJ} = T_{VJM}$ t = 10 ms (50 Hz), sine	85 A
	$V_R = 0$ t = 8.3 ms (60 Hz), sine	90 A
$\int i^2 dt$	$T_{VJ} = 45 \text{ }^\circ\text{C}$ t = 10 ms (50 Hz), sine	50 A <sup>2</sup> s
	$V_R = 0$ t = 8.3 ms (60 Hz), sine	47 A <sup>2</sup> s
	$T_{VJ} = T_{VJM}$ t = 10 ms (50 Hz), sine	36 A <sup>2</sup> s
	$V_R = 0$ t = 8.3 ms (60 Hz), sine	33 A <sup>2</sup> s
$T_{VJ}$		-40... + 150 °C
$T_{VJM}$		150 °C
$T_{stg}$		-40... + 125 °C
$V_{ISOL}$	50/60 Hz, RMS t = 1 min	2500 V~
	$I_{ISOL} \leq 1 \text{ mA}$ t = 1 s	3000 V~
$M_d$	Mounting torque (M4)	1.5 - 1.8 Nm
		14 - 16 lb.in.
<b>Weight</b>	typ.	10 g

Symbol	Test Conditions	Characteristic Value
$I_R$	$V_R = V_{RRM}$ , $T_{VJ} = T_{VJM}$	$\leq 0.3$ mA
	$V_R = V_{RRM}$ , $T_{VJ} = 25 \text{ }^\circ\text{C}$	$\leq 5$ mA
$V_F$	$I_F = 7 \text{ A}$ , $T_{VJ} = 25 \text{ }^\circ\text{C}$	$\leq 1.12$ V
$V_{TO}$	For power-loss calculations only	0.8 V
$r_T$		40 mΩ
$R_{thJC}$	per diode; DC	2.3 K/W
	per module	0.39 K/W
$R_{thJH}$	per diode; DC	2.8 K/W
	per module	0.47 K/W
$d_s$	Creeping distance on surface	8.2 mm
$d_A$	Creeping distance in air	9.7 mm
$a$	Max. allowable acceleration	50 m/s <sup>2</sup>

Data according to IEC 60747 refer to a single diode unless otherwise stated  
 \*- for resistive load at bridge output

### Features

- Package with DCB ceramic base plate
- Isolation voltage 3000 V~
- Planar glass passivated chips
- Low forward voltage drop
- Leads suitable for PC board soldering
- UL registered, E 148688

### Applications

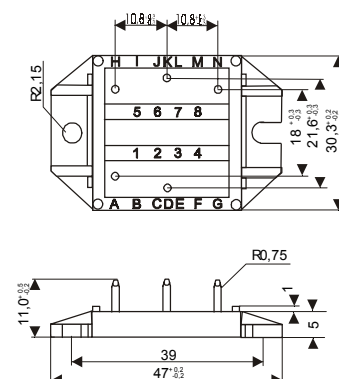
- Supplies for DC power equipment
- Input rectifier for PWM inverter
- Battery DC power supplies
- Field supply for DC motors

### Advantages

- Easy to mount with two screws
- Space and weight savings
- Improved temperature and power cycling capability
- High power density
- Small and light weight

### Package style and outline

Dimensions in mm (1mm = 0.0394")



## X-ON Electronics

Largest Supplier of Electrical and Electronic Components

*Click to view similar products for [Bridge Rectifiers](#) category:*

*Click to view products by [Powersem](#) manufacturer:*

Other Similar products are found below :

[MB2510](#) [MB252](#) [MB356G](#) [MB358G](#) [GBJ1504-BP](#) [GBU10B-BP](#) [GBU15K-BP](#) [GBU4A-BP](#) [GBU4D-BP](#) [DB101-BP](#) [DF01](#) [DF10SA-E345](#)  
[KBPC50-10S](#) [RS405GL-BP](#) [GBJ1502-BP](#) [GBU6M](#) [TB102M](#) [MB1510](#) [MB86](#) [TL401G](#) [MDA920A2](#) [TU602](#) [TU810](#) [MP5010W-BP](#)  
[MP501W-BP](#) [MP502-BP](#) [KBPC25-02](#) [VBO160-12NO7](#) [VS-110MT120KPBF](#) [VS-60MT80KPBF](#) [DB105-BP](#) [DF1510S](#) [VS-](#)  
[40MT160PAPBF](#) [GBU4G-BP](#) [GSIB15A80-E3/45](#) [DB104-BP](#) [D3SB60](#) [TB354](#) [GBJ2504-BP](#) [26MB100A](#) [B1S-G](#) [VS-40MT160KPBF](#)  
[VUO162-16NO7](#) [ABS10-G](#) [GBU6B-BP](#) [GBJ1508-BP](#) [BR5010-G](#) [ABS6-G](#) [B125C800G-E4/51](#) [MSB15MH-13](#)