

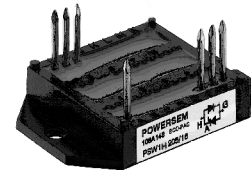
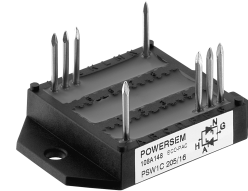
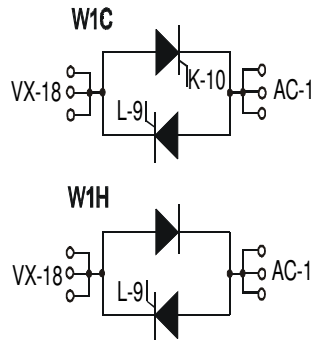
Single Phase AC Controller Modules

PSW1C205
PSW1H205

$I_{RMS} = 230 A$
 $V_{RRM} = 600-1600 V$

Preliminary Data Sheet

V_{RSM} V_{DSM} (V)	V_{RRM} V_{DRM} (V)	Type	
700	600	PSW1C 205/06	PSW1H 205/06
900	800	PSW1C 205/08	PSW1H 205/08
1300	1200	PSW1C 205/12	PSW1H 205/12
1500	1400	PSW1C 205/14	PSW1H 205/14
1700	1600	PSW1C 205/16	PSW1H 205/16



Symbol	Test Conditions	Maximum Ratings	
I_{RMS}	$T_C = 85\text{ °C}$; 50-400 Hz (per single controller)	230	A
I_{TRMS}		180	A
I_{TAVM}	$T_C = 85\text{ °C}$; 180° sine	105	A
I_{TSM}	$T_{VJ} = 45\text{ °C}$ t = 10 ms (50 Hz), sine	2250	A
	$V_R = 0$ t = 8.3 ms (60 Hz), sine	2400	A
	$T_{VJ} = 125\text{ °C}$ t = 10 ms (50 Hz), sine	2000	A
	$V_R = 0$ t = 8.3 ms (60 Hz), sine	2150	A
$\int i^2 dt$	$T_{VJ} = 45\text{ °C}$ t = 10 ms (50 Hz), sine	25300	A ² s
	$V_R = 0$ t = 8.3 ms (60 Hz), sine	23900	A ² s
	$T_{VJ} = 125\text{ °C}$ t = 10 ms (50 Hz), sine	20000	A ² s
	$V_R = 0$ t = 8.3 ms (60 Hz), sine	19100	A ² s
$(di/dt)_{cr}$	$T_{VJ} = 125\text{ °C}$ repetitive, $I_T = 250 A$ f=50Hz, $t_p=200\mu s$ $V_D=2/3V_{DRM}$	150	A/ μs
	$I_G=0.45 A$ non repetitive, $I_T = I_{TAVM}$ $di_G/dt=0.45A/\mu s$	500	A/ μs
	$T_{VJ} = 125\text{ °C}$ $V_D=2/3V_{DRM}$ $R_{GK} = \infty$, method 1 (linear voltage rise)	1000	V/ μs
P_{GM}	$T_{VJ} = 125\text{ °C}$ $t_p=30\mu s$	≤ 10	W
	$I_T = I_{TAVM}$ $t_p=300\mu s$	≤ 5	W
P_{GAVM}		0.5	W
V_{RGM}		10	V
T_{VJ}		-40... + 125	°C
T_{VJM}		125	°C
T_{stg}		-40... + 125	°C
V_{ISOL}	50/60 Hz, RMS t = 1 min	3000	V~
	$I_{ISOL} \leq 1 mA$ t = 1 s	3600	V~
M_d	Mounting torque (M4)	1.5 - 2.0	Nm
		14 - 18	lb.in.
Weight	typ.	24	g

Features

- Thyristor controller for AC (circuit W1C acc. to IEC) for mains frequency
- Isolation voltage 3000 V~
- Planar glass passivated chips
- Low forward voltage drop
- Leads suitable for PC board soldering
- UL registered, E 148688

Applications

- Switching and control of single and three phase AC circuits
- Light and temperature control
- Softstart AC motor controller
- Solid state switches

Advantages

- Easy to mount with two screws
- Space and weight savings
- Improved temperature and power cycling capability
- High power density
- Small and light weight

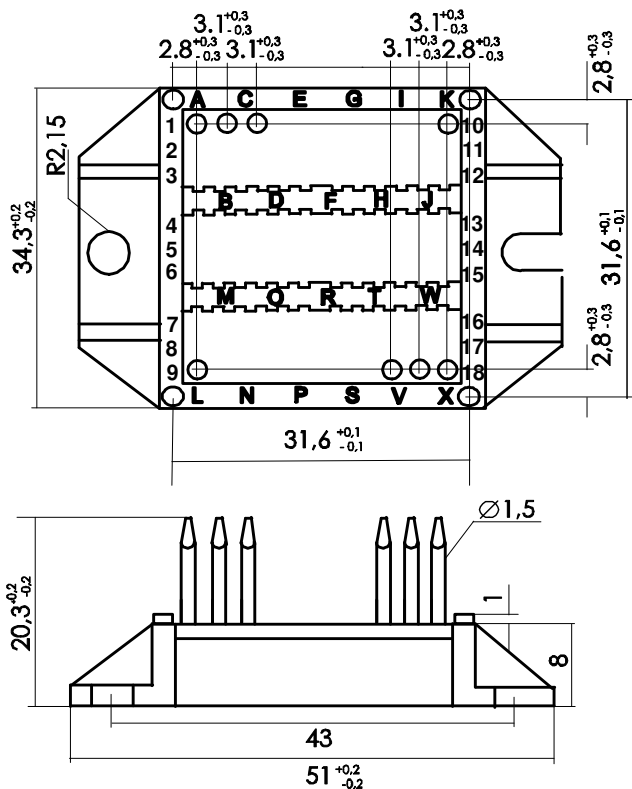
Data according to IEC 60747 refer to a single thyristor unless otherwise stated

Symbol	Test Conditions	Characteristic Value
$I_{D,R}$	$T_{VJ} = 125^\circ\text{C}$, $V_R = V_{RRM}$, $V_D = V_{DRM}$	≤ 5 mA
V_T	$I_T = 300$ A, $T_{VJ} = 25^\circ\text{C}$	≤ 1.5 V
V_{TO}	For power-loss calculations only	0.8 V
r_T		2.4 m Ω
V_{GT}	$V_D = 6$ V, $T_{VJ} = 25^\circ\text{C}$	≤ 1.5 V
	$T_{VJ} = 40^\circ\text{C}$	≤ 1.6 V
I_{GT}	$V_D = 6$ V, $T_{VJ} = 25^\circ\text{C}$	≤ 150 mA
	$T_{VJ} = 40^\circ\text{C}$	≤ 200 mA
V_{GD}	$T_{VJ} = 125^\circ\text{C}$, $V_D = 2/3 V_{DRM}$	≤ 0.2 V
I_{GD}	$T_{VJ} = 125^\circ\text{C}$, $V_D = 2/3 V_{DRM}$	≤ 10 mA
I_L	$T_{VJ} = 25^\circ\text{C}$, $t_p = 10\mu\text{s}$	≤ 450 mA
	$I_G = 0.45$ A, $di_G/dt = 0.45$ A/ μs	
I_H	$T_{VJ} = 25^\circ\text{C}$, $V_D = 6$ V, $R_{GK} = \infty$	≤ 200 mA
t_{gd}	$T_{VJ} = 25^\circ\text{C}$, $V_D = 1/2 V_{DRM}$	≤ 2 μs
	$I_G = 0.45$ A, $di_G/dt = 0.45$ A/ μs	
R_{thJC}	per thyristor; DC	0.26 K/W
	per module	0.13 K/W
R_{thJK}	per thyristor; sine 180° el	0.46 K/W
	per module	0.23 K/W
d_s	Creeping distance on surface	11.2 mm
d_A	Creeping distance in air	17.0 mm
a	Max. allowable acceleration	50 m/s ²

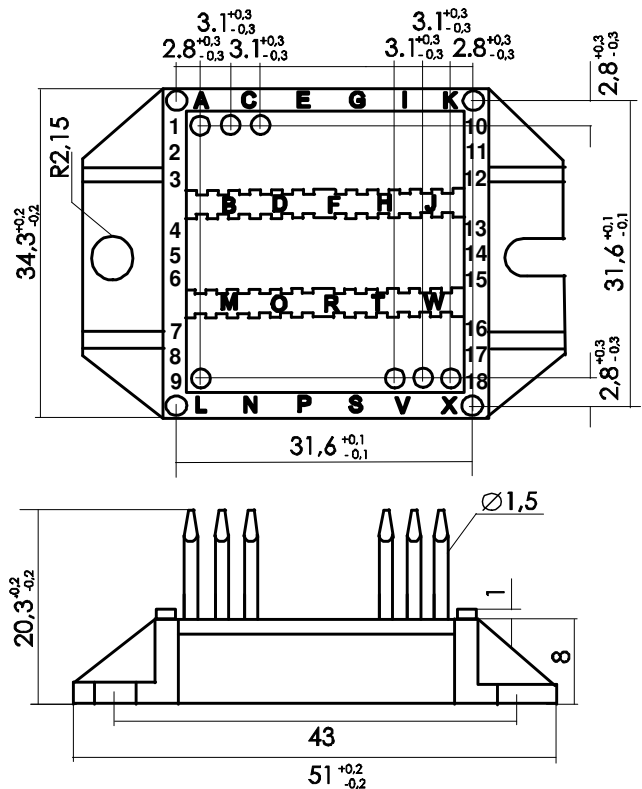
Package style and outline

Dimensions in mm (1mm = 0.0394")

W1C



W1H



X-ON Electronics

Largest Supplier of Electrical and Electronic Components

Click to view similar products for Thyristor Surge Protection Devices (TSPD) category:

Click to view products by Powersem manufacturer:

Other Similar products are found below :

[MHC-150-16](#) [MHC-170-16](#) [MHC-260-16](#) [MHC-300-16](#) [MHC-500-18](#) [SKKH 57/16E](#) [SKKH 72/08E](#) [SK20NHMH10](#) [P2600SDLRP](#) [SKKH 162/18E](#) [SKKH 27/12E](#) [SKKH 280/20E H4](#) [SKKH 72/20E H4](#) [TD210N16KOF](#) [TD400N26KOF](#) [TD570N16KOFHPSA2](#) [SKKH92/16E](#) [SKKH 92/18E](#) [SKKH 172/16E](#) [SKKH 106/16E](#) [TISP4A250H3BJR-S](#) [TISP4A270H3BJR-S](#) [TISP4350J3BJR-S](#) [TISP4200H3BJR-S](#) [TISP4240L3AJR-S](#) [TISP7082F3DR-S](#) [B1101UALTP](#) [P1804UCMCLTP](#) [T10A240](#) [P0080S4BLRP](#) [P0080SB](#) [P0300EALRP1](#) [P3100Q12BLRP](#) [P2300Q22CLRP](#) [P0640SCLRP-N1](#) [P0720SALRP](#) [P0720SCMCLRP](#) [P0900SCLRP](#) [P0900SCMCLRP](#) [A2106UC6LRP](#) [P1104UCLRP](#) [P1100EALRP1](#) [P1100SALRP](#) [P1100SBLRP](#) [P1100SCLRP](#) [P1100SCMCLRP](#) [P1300SALRP](#) [P1300SBLRP](#) [P1300SCMCLRP](#) [P1301CB2LRP](#)