

FEATURES

- Resistances from 0.002Ohm to 10Ohms
- Power Rating to 15Watt
- Resistance Tolerances to $\pm 0.1\%$
- TCR to $\pm 25\text{ppm/K}$
- Load Stability to 0.1%
- SMD D2Pak

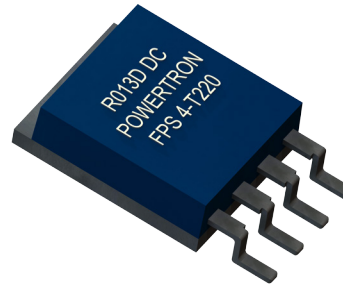


TABLE 1 – SPECIFICATIONS	
TYPE	
FPS 4-T220	
Resistance Range	
0.002 to 10 Ohms	
Power Rating	Free air 70°C
	1.5W
	With heatsink
	15W
Tolerances	
from 0.002 Ohms	
1% / 2% / 5%	
from 0.01 Ohms	
0.1% / 0.25% / 0.5% / 1% / 2% / 5%	
Thermal Resistance	
4.8 K/W	
Stability (1000h)	
0.1% / 0.2% / 0.5%	
(depends on stress)	
Temperature Coefficient	
Standard (Q)	
$\pm 25\text{ ppm/K}$ (20 to 60°C)	
Extended Temperature Range (R)	
$\pm 50\text{ ppm/K}$ (-40 to 130°C)	
other specifications upon request	
Voltage Proof	
300 VDC	
Maximum Current	
50A	
Thermal EMF	
$< 1\mu\text{V/K}$	
Operating Temperature Range	
-40 to 130°C	
Resistor Material	
CuNiMn-Foil	
Substrate	
Anodized aluminium	
Backplate	
Copper / Nickel-plated	
Housing	
PPS	
Connector Material	
Cu / tinned	
Soldering Profile	
lead free soldering	
time above 220°C max. 90 s	
max. temperature 245°C	
and JEDEC-J-STD-020	
Terminals	
4 (standard contact S)	

ORDERING INFORMATION
Part Number - Resistance - Contact - Tolerance - TCR
FPS 4-T220 0R010 S 0.1% Q

FIGURE 1 – TEMPERATURE COEFFICIENT

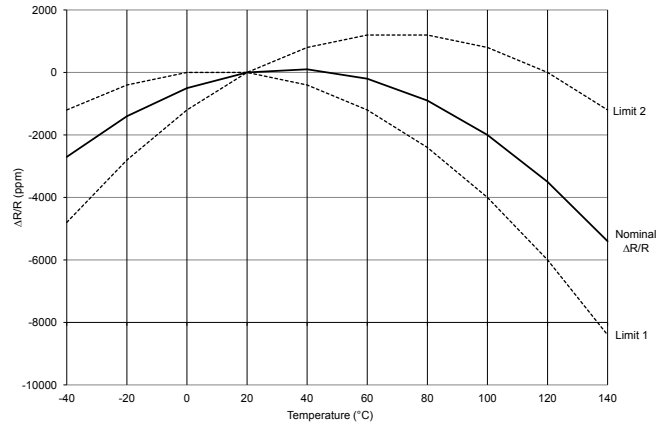
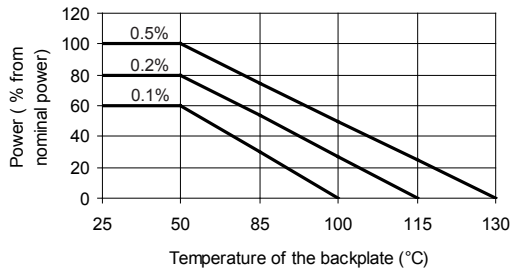


FIGURE 2 – DERATING



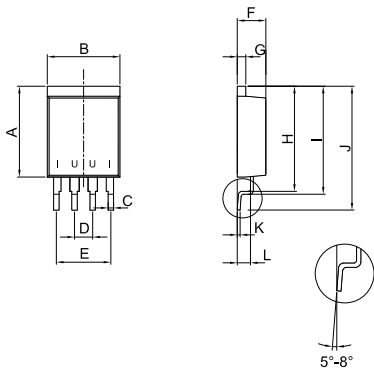
Power Rating Notes -

The FPS Series Resistors must be attached to a suitable heat-sink. The maximum internal resistor temperature is 130°C. To specify an appropriate heatsink use the following formula :

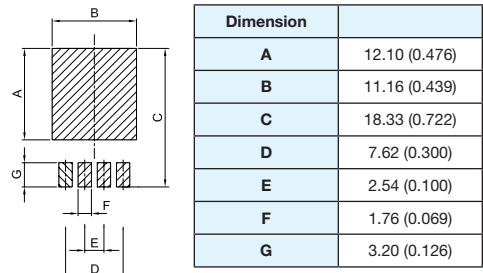
$$R_{0H} = \frac{T_{MAX} - (P \times R_{0R}) - T_A}{P}$$

Where: R_{0H} = Thermal Resistance of Heatsink (K/W)
 R_{0R} = Thermal Resistance of Resistor (K/W)
 T_{MAX} = Maximum Temperature of Resistor
 T_A = Ambient Temperature of Heatsink (°C)
 P = Power Through Resistor (W)

FIGURE 3 – DIMENSIONS in mm (inches)



Dimension	
A ±0.2 (±0.008)	12.70 (0.50)
B ±0.2 (±0.008)	10.16 (0.40)
C ±0.1 (±0.004)	0.76 (0.03)
D ±0.1 (±0.004)	2.54 (0.10)
E ±0.1 (±0.004)	7.62 (0.30)
F ±0.1 (±0.004)	4.00 (0.16)
G ±0.1 (±0.004)	1.20 (0.05)
H ±0.2 (±0.008)	14.60 (0.57)
I ±0.2 (±0.008)	15.00 (0.59)
J ±0.2 (±0.008)	17.33 (0.68)
K ±0.1 (±0.004)	0.40 (0.20)
L ±0.1 (±0.004)	1.85 (0.07)



X-ON Electronics

Largest Supplier of Electrical and Electronic Components

Click to view similar products for [Powertron](#) manufacturer:

Other Similar products are found below :

[USR 4-4020 0R100 D 1%](#) [FPR 4-T227 0R100 G 1% Q](#) [FPR 2-T218 2R000 C 1%](#) [NPS 2-T126B 10R00 S 1%](#) [KHR 2-T227 10K00 G 1%](#)
[SHR 4-2321 0R005 S 1% M](#) [NPS 2-T126B 47R00 S 1%](#) [SPS 4-T220 0R100 S 1% M](#) [FPR 4-T227 0R010 G 1% Q](#) [FPS 4-T220 0R500 S 1% Q](#)
[FPR 2-T218 3R000 C 1%](#) [SHR 4-3825 0R010 A 1% M](#) [USR 2-T220B 500R0 S 0.1%](#) [KHR 2-T227 100R0 G 1%](#) [USR 4-4020 1R000 D 1%](#)
[USR 2-T220B 50R00 S 0.1%](#) [PCS 301 0R100 S 1%](#) [FPS 4-T220 0R005 S 1% Q](#) [FHR 4-2321 0R001 S 1% Q](#) [FHR 4-2321 0R005 S 1% Q](#)
[FPR 4-T221 0R220 S 1% Q](#) [SHR 4-3825 0R100 A 1% M](#) [FHR 4-3825 0R001 A 1% Q](#) [FPR 2-T218 4R000 C 1%](#) [FPR 4-T227 0R001 G 1% Q](#)
[KHR 2-T227 10R00 G 1%](#) [FPS 4-T220 0R010 S 1% Q](#) [SPR 4-T220 0R100 S 1% M](#) [FHR 4-3825 0R010 A 1% Q](#) [FHR 4-2321 0R010 S 1% Q](#)
[NPS 2-T126B 50R00 S 1%](#)