

Rectangular 10 Turn Dial (3 Digit), (4 Digit) 100 Turn



FEATURES

- Rectangular Digital Scale
- 1" Wide
- 1/4" or 1/8" Shaft Adapter
- Open or Clear Plastic Window Bezel
- Black Anodize Finish with Standard or White Bezel Trim
- Satin Clear Anodize Finish

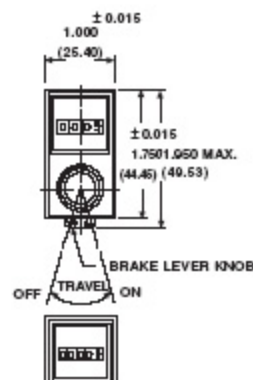
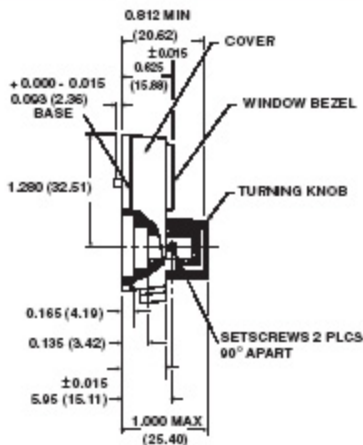
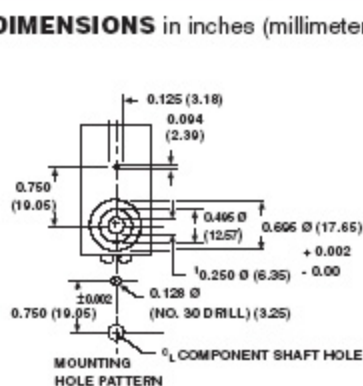
MECHANICAL SPECIFICATIONS

PARAMETER	
Numerals	The numerals shall be white on a black background and 0.130 Inches H (3.30cm)
Mounting	The spring detented knob shall be removed using a straight pull, exposing two No. 4-40 hex socket set screws for mounting the dial directly to the component shaft
Weight	1.6 oz (45.36gm)

OPERATIONAL SPECIFICATIONS

Operation 3 Digit (10 Turn) Left digit Right two digits	Complete revolutions of tuning knob Percent of revolution The unit registers a total count of 999
Operation 4 Digit (100 turn) Left two digits Right two digits	Complete revolutions of tuning knob Percent of revolution The unit registers a total count of 9999
Rotation	The indication shall increase with clockwise rotation of the turning knob
Accuracy	Graduation lines adjacent to the numerals on the right digit wheel indicate settings of 0.2% of a revolution of the turning knob
Phasing	Dial phased by rotating the exposed component shaft to correspond with the desired reading on the dial prior to tightening the set screws

DIMENSIONS in inches (millimeters)



ORDERING INFORMATION

MODEL	SHAFT DIAMETER AND NUMERICAL DISPLAY	BEZEL	FINISH
15	1	1	1
Example: 15 - 1 - 1 - 1	1. 1/4" Dia. 3 digit 2. 1/4" Dia. 4 digit 3. 1/8" Dia. 3 digit 4. 1/8" Dia. 4 digit	1. Open 3. Clear plastic window	1. Satin clear anodize 3. Black anodize, white bezel trim 5. Black anodize

X-ON Electronics

Largest Supplier of Electrical and Electronic Components

Click to view similar products for [precision electronics manufacturer](#):

Other Similar products are found below :

[KKA1051S28](#) [RV4LAYSAs353A](#) [RV6NAYSd105A](#) [KKA5021S28](#) [RV4NAYSJ501A](#) [KA5031S28](#) [RV4NAYSJ254A](#) [RV4LAYSAs251A](#)
[KKA2531S28](#) [RV4LAYSAs104A](#) [SPRU1051S28](#) [KKA1031S28](#) [SPRU2511S28](#) [RV4NAYSd353A](#) [KB1021S28](#) [KA2541S28](#) [KKA5041S28](#)
[KA2531S28](#) [RV4NAYSd102A](#) [RV4NAYSJ104A](#) [SPRU2541S28](#) [RV4LAYSAs502A](#) [KKA5031S28](#) [RV6NAYSd502A](#) [RV4NAYSJ504A](#)
[RV4LAYSAs501A](#) [RV6LAYSAs503A](#) [RV4LAYSAs500A](#) [RV6LAYSAs504A](#) [KKU5021S28](#) [RV6LAYSAs501A](#) [KB1031S28](#)
[RV6LAYSAs254A](#) [RV4NAYSJ251A](#) [KKA2541S28](#) [RV4LAYSAs101A](#) [KKA1041S28](#) [RV6LAYSAs104A](#) [RV4LAYSAs254A](#)
[RV4LAYSAs105A](#) [SPRU1041S28](#) [SPRU1011S28](#) [KKA1021S28](#) [RV6NAYSd504A](#) [RV4NAYSJ253A](#) [RV4NAYSd253A](#) [RV4LAYSAs503A](#)
[SPRU5041S28](#) [RV4NAYSd151A](#) [RV6NAYSd253A](#)