



Precision Wirewound Potentiometer - 7/8" (22mm)



FEATURES:

- special resistance tolerances to 1%
- rear shaft extensions and support bearing
- non turn lug
- insulating plastic shaft
- special independent linearity to $\pm 0.75\%$
- dual gang configuration and concentric shafts
- high torque and center tap
- special markings and front shaft extensions
- servo unit available and slipping clutch

ELECTRICAL SPECIFICATIONS:

Resistance range, standard values: 100 Ω to 100 K Ω

Capability range: 10 Ω to 200 K Ω

Standard toll: $\pm 5\%$

Linearity independent: $\pm 0.25\%$

Noise: 100 Ω ENR

Rotation (electrical & mechanical): 3600° + 10%

Power rating @ 70°C: 2.0 watts

Insulation resistance: 1000 M Ω minimum 500 VDC

Dielectric strength: 1000 VRMS minimum 60 HZ

Absolute minimum resistance: not to exceed linearity x total resistance or 1 Ω , whichever is greater.

Tempco: 20 ppm/°C (standard values, wire only)

End voltage: 0.25% of total applied voltage, maximum

Phasing: CCW end points - section 2 phased to section 1 within $\pm 2^\circ$

Taps: center tap only

MECHANICAL SPECIFICATIONS:

Torque (maximums): starting

Section 1: 0.5 oz - in (36gm - cms)

Section 2: 0.9 oz - in (65gm - cms)

Torque (maximums): running

Section 1: 0.4 oz - in (28.80gm - cms)

Section 2: 0.7 oz - in (50.40gm - cms)

Weight (maximums):

Section 1: 0.75 oz (21.26 gm)

Section 2: 1.25 oz (35.44 gm)

Stop strength: 1.75 oz - in (static) (5.4Kgm - cm)

Ganging: 2 sections maximum

ENVIRONMENTAL SPECIFICATIONS:

Vibration: 15g thru 2000Hz

Shock: 50g

Rotational life: 1,000,000 cycles

Load life: 900 hours

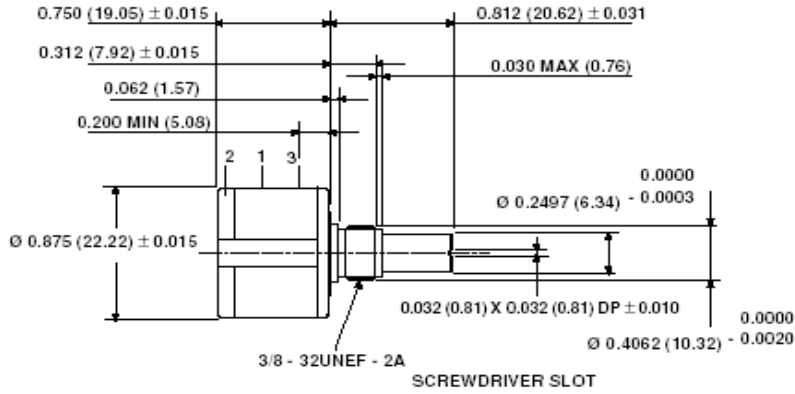
Operating temperature range: -55°C to $\pm 125^\circ\text{C}$

Moisture resistant salt spray: 96 hours

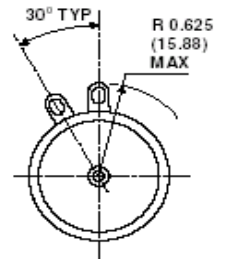
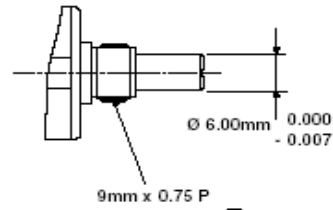


DRAWING:

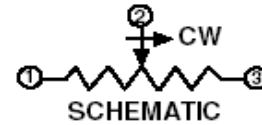
SINGLE SECTION DIMENSIONS in millimeters



METRIC



Mounting hardware, washer and panel nut, nickel plated



X-ON Electronics

Largest Supplier of Electrical and Electronic Components

Click to view similar products for [precision electronics manufacturer](#):

Other Similar products are found below :

[KKA1051S28](#) [RV4LAYSAs353A](#) [RV6NAYSd105A](#) [KKA5021S28](#) [RV4NAYSJ501A](#) [KA5031S28](#) [RV4NAYSJ254A](#) [RV4LAYSAs251A](#)
[KKA2531S28](#) [RV4LAYSAs104A](#) [SPRU1051S28](#) [KKA1031S28](#) [SPRU2511S28](#) [RV4NAYSd353A](#) [KB1021S28](#) [KA2541S28](#) [KKA5041S28](#)
[KA2531S28](#) [RV4NAYSd102A](#) [RV4NAYSJ104A](#) [SPRU2541S28](#) [RV4LAYSAs502A](#) [KKA5031S28](#) [RV6NAYSd502A](#) [RV4NAYSJ504A](#)
[RV4LAYSAs501A](#) [RV6LAYSAs503A](#) [RV4LAYSAs500A](#) [RV6LAYSAs504A](#) [KKU5021S28](#) [RV6LAYSAs501A](#) [KB1031S28](#)
[RV6LAYSAs254A](#) [RV4NAYSJ251A](#) [KKA2541S28](#) [RV4LAYSAs101A](#) [KKA1041S28](#) [RV6LAYSAs104A](#) [RV4LAYSAs254A](#)
[RV4LAYSAs105A](#) [SPRU1041S28](#) [SPRU1011S28](#) [KKA1021S28](#) [RV6NAYSd504A](#) [RV4NAYSJ253A](#) [RV4NAYSd253A](#) [RV4LAYSAs503A](#)
[SPRU5041S28](#) [RV4NAYSd151A](#) [RV6NAYSd253A](#)