

## DESCRIPTION

PT2264 is a remote control encoder utilizing CMOS Technology. It encodes data and address pins into a serial coded waveform suitable for RF modulation. PT2264 has a maximum of 12-bit of tri-state address pins providing up to 531,441 (or  $3^{12}$ ) address codes; thereby, drastically reducing any code collision and unauthorized code scanning possibilities.

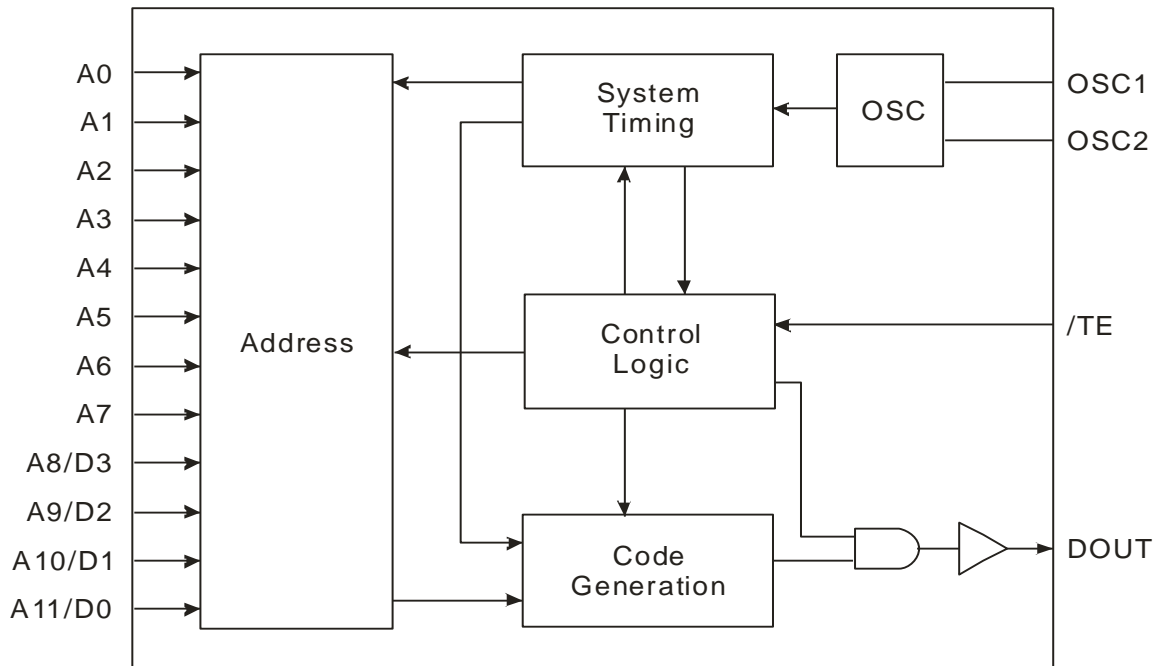
## APPLICATIONS

- Remote control fan
- Home security/Automation system
- Remote control toys
- Remote control for door bell

## FEATURES

- CMOS technology
- Low power consumption
- Very high noise immunity
- Up to 12 Tri-State code address pins
- Up to 4 data pins
- Wide range of operating voltage:  $VCC=8 \sim 15V$
- Single resistor oscillator
- Latch or momentary output type
- Available in DIP and SOP package

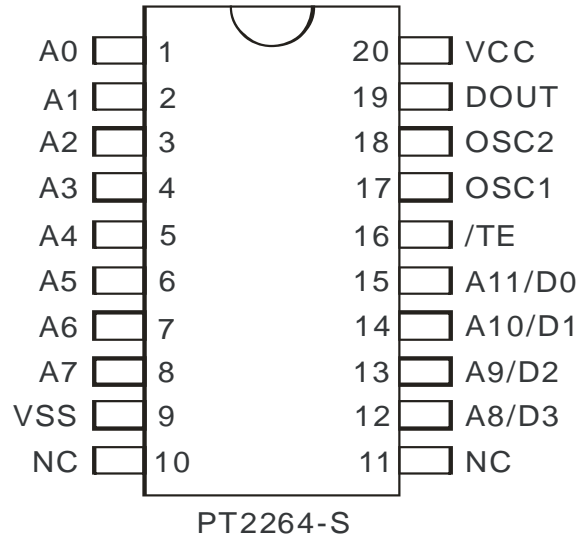
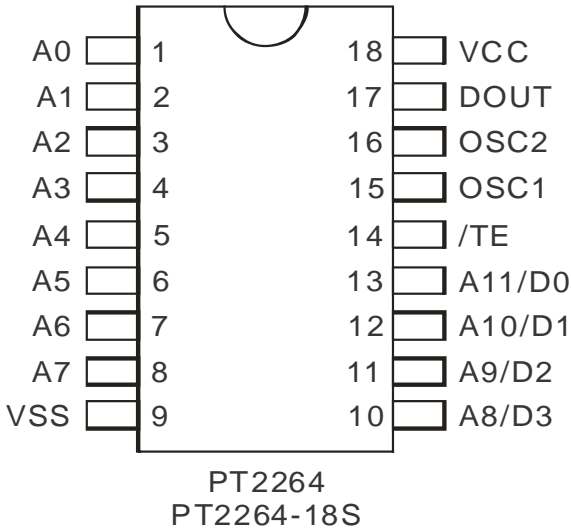
## BLOCK DIAGRAM



## ORDER INFORMATION

Valid Part Number	Package Type	Top Code
PT2264-S	SOP, 300mil, 20pins	PT2264-S
PT2264-18S	SOP, 300mil, 18pins	PT2264-18S
PT2264	DIP, 300mil, 18pins	PT2264

## PIN CONFIGURATION





## PIN DESCRIPTION

Pin Name	I/O	Description	Pin No.	
			18	20
A0	I	These ten tri-state pins are detected by PT2264 to determine the encoded waveform bit 0 - bit 9. Each pin can be set to "0", "1" or "f" (floating).	1	1
A1	I		2	2
A2	I		3	3
A3	I		4	4
A4	I		5	5
A5	I		6	6
A6	I		7	7
A7	I		8	8
A8/D3	I	These four tri-state pins are detected by PT2264 to determine the encoded waveform bit 10, bit 11. When these pins are used as address pins, they can be set to "0", "1", or "f" (floating). When these pins are used as data pins, they can be set only to "0" or "1".	10	12
A9/D2	I		11	13
A10/D1	I		12	14
A11/D0	I		13	15
/TE	I	Transmission Enable. Active Low Signal. PT2264 outputs the encoded waveform to DOUT when this pin is pulled to low.	14	16
OSC1	O	A resistor connected between these two pins determine the fundamental frequency of the PT2264.	15	17
OSC2	I		16	18
DOUT	O	Data Output Pin. The encoded waveform is serially outputted to this pin. When PT2264 is not transmitting, DOUT outputs low (VSS) voltage.	17	19
VCC	Power Supply	Positive Power Supply	18	20
VSS	Power Supply	Negative Power Supply	9	9
N.C		No connection	-	10,11

## **IMPORTANT NOTICE**

Princeton Technology Corporation (PTC) will issue official documents to have customers' approval in advance, when we need to make corrections, modifications, enhancements, improvements, and other changes of the products and to discontinue the product.

PTC cannot assume responsibility for use of any circuitry other than circuitry entirely embodied in a PTC product.

Princeton Technology Corp.  
2F, 233-1, Baociao Road,  
Sindian Dist., New Taipei City 23145, Taiwan  
Tel: 886-2-66296288  
Fax: 886-2-29174598  
<http://www.princeton.com.tw>

## X-ON Electronics

Largest Supplier of Electrical and Electronic Components

*Click to view similar products for [Interface - CODECs](#) category:*

*Click to view products by [Princeton](#) manufacturer:*

Other Similar products are found below :

[CS4205-KQZ](#) [ZL38015QCG1](#) [MAX98090AEWJ+T](#) [WM9713CLGEFLV](#) [LE58QL061BVC](#) [MAX9867ETJ+G3U](#) [ADAU1777BCBZRL](#)  
[WM8944BECS/R](#) [TDA7293V-E](#) [WM8998ECS/R](#) [WM8778SEDS/V](#) [CS42L73-CRZR](#) [WM8750CJLGEFL](#) [STA529Q](#) [SSM2603CPZ-REEL](#)  
[TLV320AIC14IDBT](#) [TLV320AIC23BIPWRQ1](#) [TLV320AIC23IPW](#) [TVP5151PBSR](#) [MAX98090BETL+](#) [MAX98089ETN+](#)  
[MAX98089ETNT](#) [TLV320AIC34IZASR](#) [TLV320AIC3262IYZFR](#) [SA612AD/01.112](#) [ADAU1372BCPZ-RL](#) [MAX98090AETL+](#)  
[MAX9880AETM](#) [WM8962ECSN/R](#) [TLV320DAC3203IRGER](#) [WM8904CGEFL/RV](#) [6PAIC3106IRGZRQ1](#) [CS42436-DMZ](#)  
[TSCS25A3X1NDGXZAX](#) [BU94502CMUV-E2](#) [TDA8932BT/N2.112](#) [TDA8954J/N1.112](#) [ICS512MLF](#) [92HD73C1T5PRGIC1X](#)  
[92HD73C1X5PRGXC1X](#) [SSM2167-1RMZ](#) [AD1836AASZ](#) [AD1836ACSZ](#) [AD1928YSTZ](#) [AD1937WBSTZ](#) [AD1938WBSTZ](#)  
[AD1939WBSTZ](#) [AD73311ARSZ](#) [AD73311ARZ](#) [AD73311LARUZ](#)