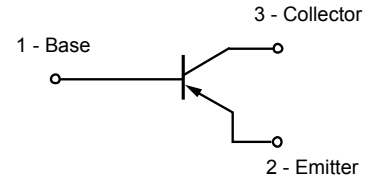


## Feature

- This device is Pb-Free, Halogen Free/BFR Free and Rohs compliant.



## Mechanical Characteristics

- Lead finish:100% matte Sn(Tin)
- Mounting position: Any
- Qualified max reflow temperature:260°C
- Device meets MSL 1 requirements
- Pure tin plating: 7 ~ 17 um
- Pin flatness : ≤3mil

## Structure

PNP epitaxial planar silicon transistor

## Electrical characteristics per line@25°C ( unless otherwise specified)

Parameter	Symbol	Conditions	Min.	Typ.	Max.	Units
Collector-Emitter Breakdown Voltage	$V_{(BR)CEO}$	$I_C=-1.0mA, I_B=0$	-40			V
Collector-Base Breakdown Voltage	$V_{(BR)CBO}$	$I_C=-10uA, I_E=0$	-60			V
Emitter -Base Breakdown Voltage	$V_{(BR)EBO}$	$I_E=-10uA, I_C=0$	-6.0			V
Base Cutoff Current	$I_{BL}$	$V_{CE}=-30V, V_{EB}=-3.0V$			-50	nA
Collector Cutoff Current	$I_{CEX}$	$V_{CE}=-30V, V_{EB}=-3.0V$			-50	nA

## Absolute maximum rating@25°C

Rating	Symbol	Value	Units
Total Device Dissipation $T_A=25^\circ C$	$P_D$	150	mW
Operating Temperature	$T_J$	-55 to +150	°C
Storage Temperature	$T_{STG}$	-55 to +150	°C

## Absolute maximum rating@25°C

Parameter	Symbol	Conditions	Min.	Typ.	Max.	Units
DC Current Gain	$H_{FE}$	$I_C=-0.1mA, V_{CE}=-1.0V$	60		-	-
		$I_C=-1.0mA, V_{CE}=-1.0V$	80		-	
		$I_C=-10mA, V_{CE}=-1.0V$	100		300	
		$I_C=-50mA, V_{CE}=-1.0V$	60		-	
		$I_C=-100mA, V_{CE}=-1.0V$	30		-	
Collector-Emitter Saturation Voltage	$V_{CE(sat)}$	$I_C=-10mA, I_B=-1.0mA$	-		-0.25	V
		$I_C=-50mA, I_B=-5.0mA$	-		-0.4	
Base-Emitter Saturation Voltage	$V_{BE(sat)}$	$I_C=-10mA, I_B=-1.0mA$	-0.65		-0.85	V
		$I_C=-50mA, I_B=-5.0mA$	-		-0.95	

## Small-Signal Characteristics

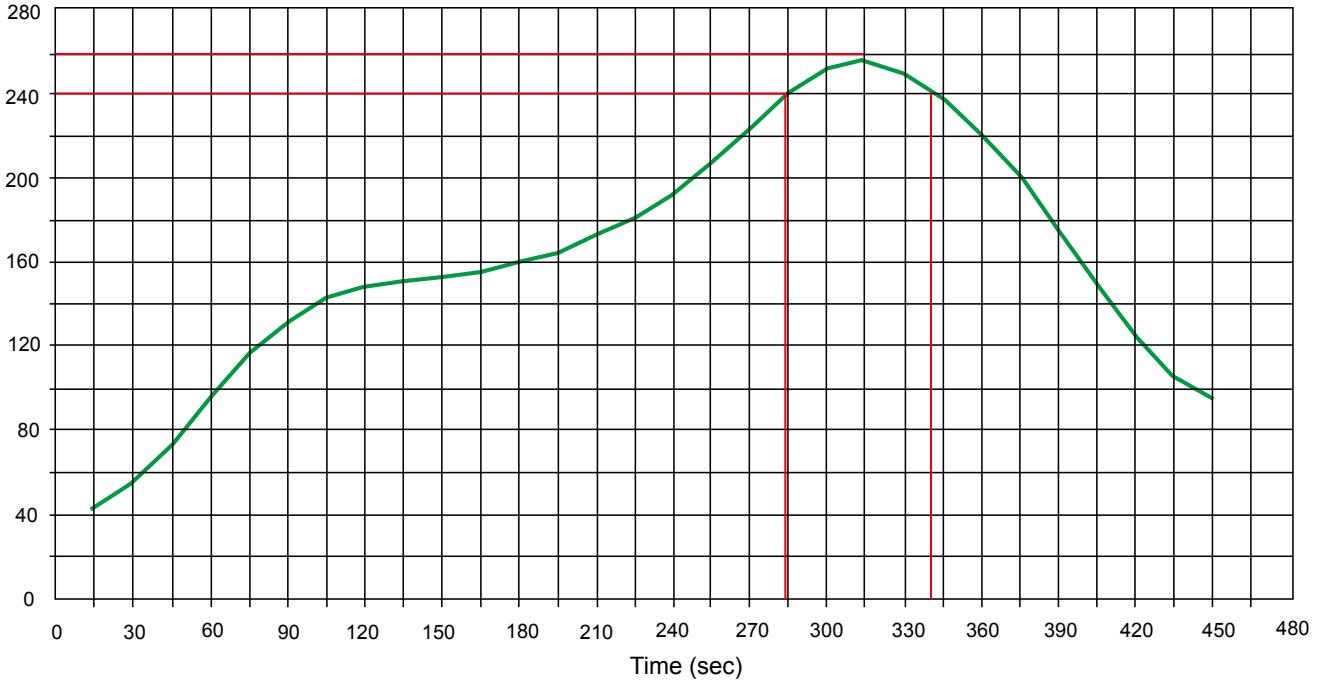
Parameter	Symbol	Conditions	Min.	Max.	Units
Current-Gain-Bandwidth Product	$f_T$	$I_C=-10mA, V_{CE}=-20V, f=100MHz$	250	-	MHz
Output Capacitance	$C_{obo}$	$V_{CB}=-5.0V, I_E=0, f=1.0MHz$	-	4.5	pF
Input Capacitance	$C_{ibo}$	$V_{EB}=-0.5V, I_C=0, f=1.0MHz$	-	10	pF
Input Impedance	$h_{ie}$	$I_C=-1.0mA, V_{CE}=-10V, f=1.0kHz$	2.0	12	k $\Omega$
Voltage Feedback Ratio	$h_{re}$	$I_C=-1.0mA, V_{CE}=-10V, f=1.0kHz$	0.1	10	$\times 10^{-4}$
Small-Signal Current Gain	$h_{fe}$	$I_C=-1.0mA, V_{CE}=-10V, f=1.0kHz$	100	400	-
Output Admittance	$h_{oe}$	$I_C=-1.0mA, V_{CE}=-10V, f=1.0kHz$	3.0	60	umhos
Noise Figure	NF	$V_{CE}=5.0V, I_C=0.1mA, f=1.0kHz$ $R_S=1.0k\Omega$	-	4.0	dB

## Switching Characteristics

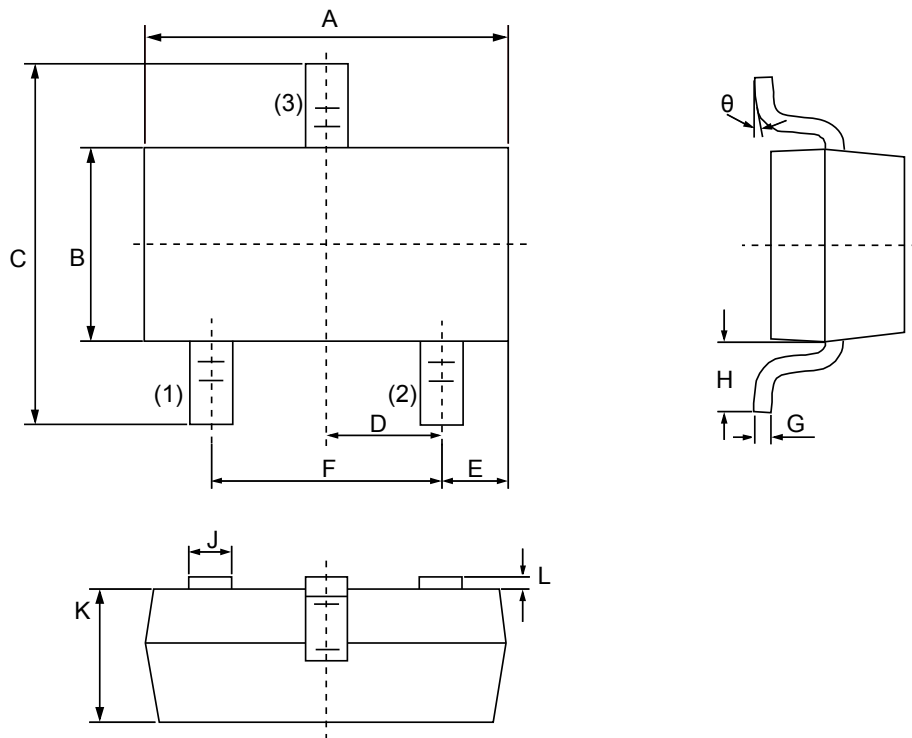
Parameter	Symbol	Conditions	Min.	Max.	Units
Delay Time	$t_d$	$V_{CC}=-3.0V, V_{BE}=0.5V.$ $I_C=-10mA, I_{B1}=-1.0mA$	-	35	ns
Rise Time	$t_r$		-	35	
Storage Time	$t_s$	$V_{CC}=-3.0V$	-	225	
Fall Time	$t_f$	$I_C=-10mA, I_{B1}=I_{B2}=-1.0mA$	-	75	

Solder Reflow Recommendation

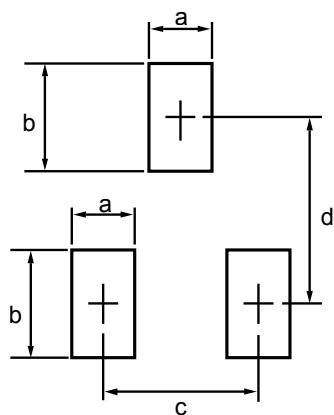
Peak Temp=257°C, Ramp Rate=0.802deg. °C/sec



Product dimension(SOT-23)



Dim	Millimeters		Inches	
	MIN	MAX	MIN	MAX
A	2.80	3.00	0.1102	0.1197
B	1.20	1.40	0.0472	0.0551
C	2.10	2.50	0.0830	0.0984
D	0.89	1.02	0.0350	0.0401
E	0.45	0.60	0.0177	0.0236
F	1.78	2.04	0.0701	0.0807
G	0.085	0.177	0.0034	0.0070
H	0.45	0.60	0.0180	0.0236
J	0.37	0.50	0.0150	0.0200
K	0.89	1.11	0.0350	0.0440
L	0.013	0.100	0.0005	0.0040
$\theta$	0°	10°	0°	10°




Dim	Millimeters	
	MIN	MAX
a	--	0.7
b	--	1.2
c	--	2.04
d	--	2.2

**Ordering information**

Device	Package	Shipping
PT23T3906	SOT-23 (Pb-Free)	3000 / Tape & Reel


**IMPORTANT NOTICE**

 and **Prisemi**<sup>®</sup> are registered trademarks of **Prisemi Electronics Co., Ltd (Prisemi)** ,Prisemi reserves the right to make changes without further notice to any products herein. Prisemi makes no warranty, representation or guarantee regarding the suitability of its products for any particular purpose, nor does Prisemi assume any liability arising out of the application or use of any product or circuit, and specifically disclaims any and all liability, including without limitation special, consequential or incidental damages. “Typical” parameters which may be provided in Prisemi data sheets and/or specifications can and do vary in different applications and actual performance may vary over time. All operating parameters, including “Typicals” must be validated for each customer application by customer’s technical experts. Prisemi does not convey any license under its patent rights nor the rights of others. The products listed in this document are designed to be used with ordinary electronic equipment or devices, Should you intend to use these products with equipment or devices which require an extremely high level of reliability and the malfunction of with would directly endanger human life (such as medical instruments, aerospace machinery, nuclear-reactor controllers, fuel controllers and other safety devices), please be sure to consult with our sales representative in advance.

Website: <http://www.prisemi.com>

For additional information, please contact your local Sales Representative.

©Copyright 2009, Prisemi Electronics

 **Prisemi**<sup>®</sup> is a registered trademark of Prisemi Electronics.

All rights are reserved.

## X-ON Electronics

Largest Supplier of Electrical and Electronic Components

*Click to view similar products for [Bipolar Transistors - BJT category](#):*

*Click to view products by [Prisemi manufacturer](#):*

Other Similar products are found below :

[BC559C](#) [MCH4017-TL-H](#) [MMBT-2369-TR](#) [BC546/116](#) [NJVMJD148T4G](#) [NTE16](#) [NTE195A](#) [IMX9T110](#) [2N4401-A](#) [2N4403](#) [2N6728](#)  
[2SA1419T-TD-H](#) [2SA2126-E](#) [2SB1204S-TL-E](#) [FMC5AT148](#) [2N2369ADCSM](#) [2N2907A](#) [2N3904-NS](#) [2N5769](#) [2SC4618TLN](#) [CPH6501-](#)  
[TL-E](#) [MCH4021-TL-E](#) [Jantx2N5416](#) [US6T6TR](#) [BAX18/A52R](#) [BC556/112](#) [IMZ2AT108](#) [MMST8098T146](#) [UMX21NTR](#) [MCH6102-TL-E](#)  
[TTA1452B,S4X\(S](#) [2N3879](#) [NTE13](#) [NTE282](#) [NTE323](#) [NTE350](#) [NTE81](#) [JANTX2N2920L](#) [JANTX2N3735](#) [JANSR2N2222AUB](#)  
[CMLT3946EG TR](#) [SNSS40600CF8T1G](#) [CMLT3906EG TR](#) [GRP-DATA-JANS2N2907AUB](#) [GRP-DATA-JANS2N2222AUA](#)  
[MMDT3946FL3-7](#) [2N4240](#) [JANS2N3019](#) [MSB30KH-13](#) [2N2221AUB](#)