

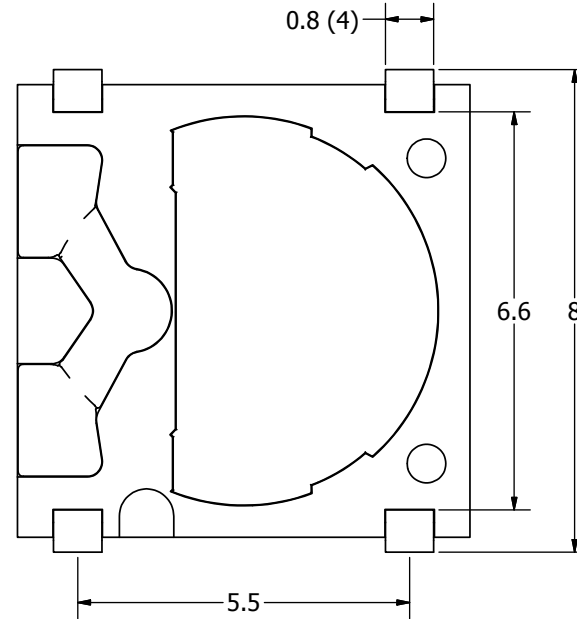
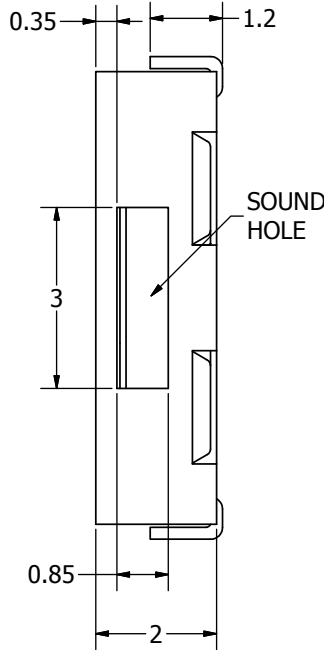
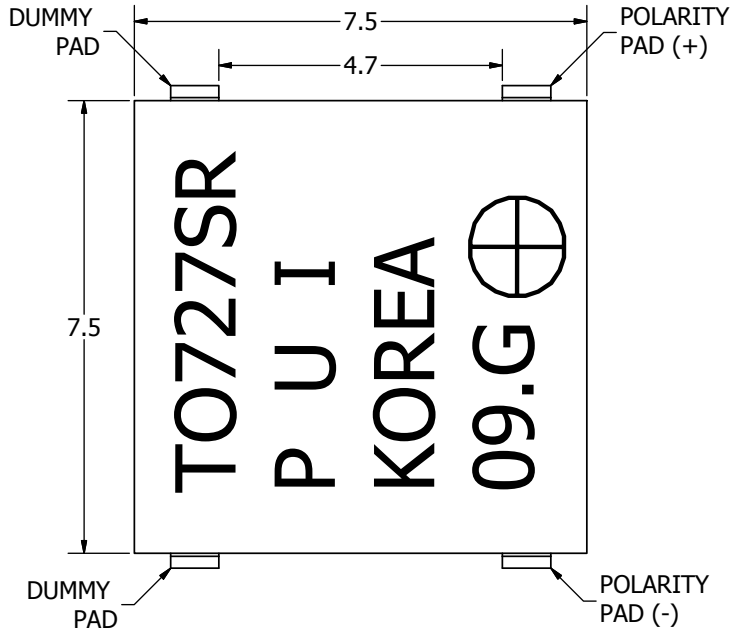
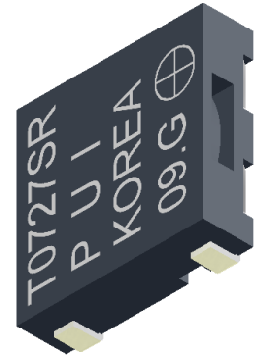
# SPECIFICATIONS

PARAMETERS	VALUES	UNIT
RATED VOLTAGE	3.6	Vp-p
OPERATING VOLTAGE RANGE	2 ~ 5	Vp-p
RATED CURRENT (MAX)	120	mA
COIL RESISTANCE	12 ± 2	OHM
MINIMUM SPL @ 10 CM	85	dB
RESONANT FREQUENCY	2,700 ± 500	Hz
OPERATING TEMPERATURE	-30 ~ +70	°C
STORAGE TEMPERATURE	-40 ~ +85	°C
HOUSING MATERIAL	LCP	-
TERMINAL MATERIAL	Sn PLATED PHOSPHOR BRONZE	-
WEIGHT	0.33	grams

THIS DOCUMENT CONTAINS DATA PROPRIETARY TO PROJECTS UNLIMITED, INC. ANY USE OR REPRODUCTION, IN ANY FORM, WITHOUT PRIOR WRITTEN PERMISSION OF PROJECTS UNLIMITED, INC. IS PROHIBITED.  
©2003, Projects Unlimited Inc.

# REVISION HISTORY

LTR	DESCRIPTION	DATE	APPROVED
-	RELEASED FROM ENGINEERING	9/15/2005	
A	REVISED TO INVENTOR 3-D DRAWING TEMPLATE	4/29/2010	B.R.



## NOTES:

1. ALL DIMENSIONS ARE IN MILLIMETERS.
2. SPECIFICATIONS SUBJECT TO CHANGE OR WITHDRAWAL WITHOUT NOTICE.
3. THIS PART IS RoHS 2002/95/EC COMPLIANT.

UNLESS OTHERWISE SPECIFIED: DIMENSIONS ARE IN MILLIMETERS, TOLERANCES ARE ±0.5 AND ANGLES ARE ±3°.	SIZE <b>A3</b>	Designed by	Date	Checked by	Date	Approved by	Date	Drawn Date	
		J.A.F.	9/15/2005	E.P.	9/15/2005	B.R.	9/15/2005	4/30/2010	
SMT-0727-S-R.idw						<b>SMT-0727-S-R</b> Transducer (Electro-Mech)		Edition	Sheet
								-	1 / 1

## **X-ON Electronics**

Largest Supplier of Electrical and Electronic Components

*Click to view similar products for [Projects Unlimited](#) manufacturer:*

Other Similar products are found below :

[ADS02008MR-R](#) [AI-1440-TWT-12V-R](#) [AI-2604-TF-LW115-12V-R](#) [AI-3245-TF-LW95-R](#) [AI-383](#) [AI-4228-TWT-R](#) [AI-4328-P-FP250-R](#)  
[AI-4329-P-FP28](#) [AI-4329-P-FP28-R](#) [AI-550](#) [AOM-4540L-R](#) [AOM-4540P-R](#) [AOM-4542P-R](#) [AOM-4546L-R](#) [AOM-6545L-R](#) [AOM-6545P-](#)  
[R](#) [AOM-6738L-R](#) [AOM-6738P-R](#) [AOM-6746P-R](#) [AS01308MR-LW10](#) [AST-03032MR-R](#) [AST-030C0MR-R](#) [AST-03208MR-R](#) [AT-1220-](#)  
[TWT-5V-R](#) [AT-1620-TWT-R](#) [POM-1644P-NF-R](#) [POM-2738P-R](#) [POM-3044P-R](#) [POM-5246L-R](#) [ROM-2238P-NF-R](#) [SMI-1324-TW-5V-2-R](#)  
[SMT-0727-S-R](#) [SMT-1028-S-2-R](#) [TOM-1545P-R](#) [X-2629-TWT-R](#) [X-4032-TF-LW105-R](#) [XL-5530-LW300-S-R](#)