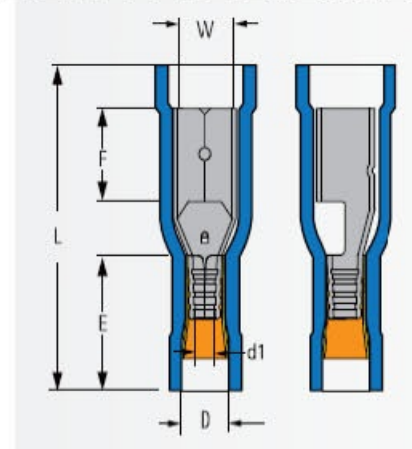


## VINYL-FULLY INSULATED FEMALE BULLET TERMINALS



**Material:** Brass strip  
Copper Sleeve: Copper tubular  
Insulation: PVC  
**Finished:** Tin-Plated

**Temperature Rating:** -10°C-75°C  
**Features:** Low insertion force & high endurance  
The copper sleeves ensure the terminal and cable fully connected  
Flared barrel entry for easy wire insertion  
Fully insulated structure design provide the good protection when using it

No.	Customer Code	Application for cable size		Stripped Length mm	Dimension (mm)							PCS /PACK	color
		mm <sup>2</sup>	AWG		W	F	L	E	d1	D	T		
1	CN11403	0.5-1.5	22-16	6.5-7.0	3.9	7.3	25.5	10.5	1.7	3.8	0.4	100	Red
2	CN11404	1.5-2.5	16-14	6.5-7.0	4.9	8.5	25.5	10.5	2.3	4.7	0.4	100	Blue
3	CN11405	4-6	12-10	7.0-8.0	4.9	8.5	28	13.7	3.4	6.2	0.4	100	Yellow

## X-ON Electronics

Largest Supplier of Electrical and Electronic Components

*Click to view similar products for Pro Power manufacturer:*

Other Similar products are found below :

[PPCY4C1.00 50M PP000945](#) [PP000952](#) [PP000870](#) [PETGY10BG5](#) [3140BLK](#) [15107](#) [15099](#) [1475813](#) [6491B-1.50MMBLU100M](#)  
[SPUL5M/9.5MMBLK](#) [SP3X39/13-5MBLACK](#) [VFFC-1-0](#) [PP001583](#) [PP001628](#) [PP002011](#) [PP002168](#) [PP002171](#) [BSFRG-025 50M](#)  
[PP002801](#) [CTFC-18/6-0-STK](#) [PP001080](#) [PP000940](#) [PP000881](#) [PETBK8BG5](#) [A-WPT50/SL](#) [PPYY4C1.50](#) [PPSY2C1.00 50M](#) [89T BLACK](#)  
[SPC19910](#) [PP001561](#) [PP001646](#) [PP002155](#) [PP002504](#) [PP002583](#) [PP002740](#) [AGT50X50SIL](#) [PG-07 GREY](#) [PP001192](#) [PP001082](#) [PP000481](#)  
[PP000924](#) [PPYY4C0.75 100M](#) [PPYY7C0.75 50M](#) [PP002426](#) [PP002528](#) [PP002778](#) [PPC210](#) [PP001093](#) [PP001091](#)