

Time Delay | 0.063x0.032 inch Thick Film Chip Fuses

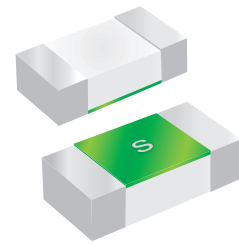
0603TD Series



0603TD Series are the fuses set the industry standard for performance, reliability and quality. The solder-free design provides excellent on-off and temperature cycling characteristics during use and also makes our SMD fuses more heat and shock tolerant than typical subminiature fuses.

Features

- High inrush current withstanding capability
- Ceramic and glass construction
- Halogen free, lead free and RoHS compliant Ultra
- high I²t values
- Excellent environmental integrity
- One time positive disconnect
- AEC-Q200 Automotive Grade Certified



Electrical Characteristics

Amp Rating	% of Amp Rating	Opening Time
1~8A	100%	4 Hours Min.
1~8A	200%	1~60 Seconds Max.
1~8A	250%	5 Seconds Max.

Specifications

Part Number	Ampere Rating (A)	Voltage Rating (V)	Interrupting Rating	Typical Cold Resistance (Ohms)	Typical Melting I ² t (A ² Sec)	Typical Voltage Drop (V)	Marking Code
0603TD-1A	1.00	32	32V@50A	0.250	0.011	0.335	B
0603TD-1.5A	1.50	32	32V@50A	0.150	0.045	0.270	H
0603TD-2A	2.00	32	32V@50A	0.078	0.115	0.160	K
0603TD-2.5A	2.50	32	32V@50A	0.049	0.140	0.145	L
0603TD-3A	3.00	32	32V@50A	0.035	0.280	0.130	O
0603TD-3.5A	3.50	32	32V@50A	0.028	0.500	0.130	R
0603TD-4A	4.00	32	32V@50A	0.018	0.600	0.120	S
0603TD-5A	5.00	32	32V@50A	0.014	1.900	0.110	T
0603TD-6A	6.00	32	32V@50A	0.011	2.300	0.110	V**
0603TD-7A	7.00	32	32V@50A	0.0095	3.000	0.090	X**
0603TD-8A	8.00	32	32V@50A	0.0070	4.500	0.080	Z**

- DC Interrupting Rating (Measured at rated voltage, time constant of less than 50 microseconds, battery source)
- DC Cold Resistance are measured at <10% of rated current in ambient temperature of 25degrees
- Typical Pre-arcing I²t are measured at 10In Current.

Choice fuse for surge application (USB charger etc.), make sure the I²t of fuse is 4 times than surge.

**Different with other ratings, the color of glass cover of 6A, 7A and 8A is BLUE color

Specifications are subject to change without notice. Application testing is strongly recommended.

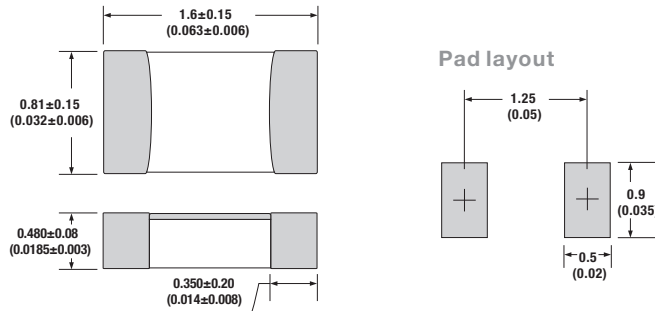
Time Delay | 0.063x0.032 inch

Thick Film Chip Fuses

0603TD Series

Dimension

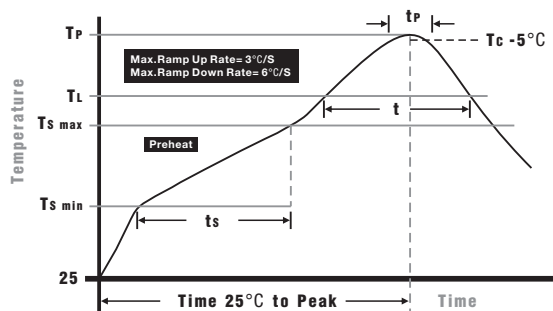
Unit: mm/inch



Packaging

- Quantity: 5,000pcs
- 8mm wide tape on 178mm(7 inch) diameter reel -specification EIA Standard 481.

Soldering Parameters

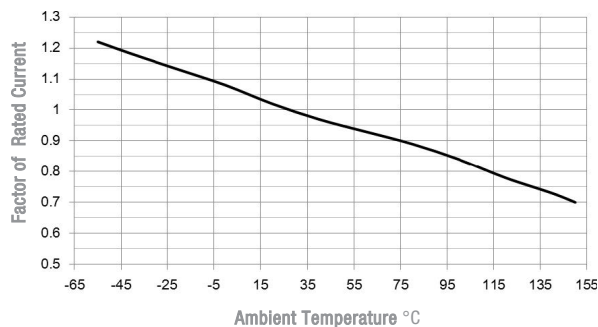


Wave Soldering: 260°C, 10 seconds max.
Infrared Reflow: 260°C, 30 seconds max.

IR Reflow Profile

Preheat Heat	
Temperature min (T _{smin})	150°C
Temperature max (T _{smax})	200°C
Time (T _{smin} to T _{smax}) (t _s)	60 - 120 seconds
Average ramp-up rate (T _{smax} to T _p)	3°C/second max.
Liquidous temperature (T_l)	
Time at liquidous (t _l)	60 - 150 seconds
Peak temperature (T _p)	260°C
Time within 5°C of actual peak Temperature (t _p)	30 seconds
Average ramp-down rate (T _p to T _{smax})	6°C/second max.
Time 25°C to peak temperature	8 minutes max.

Temperature Derating Curve



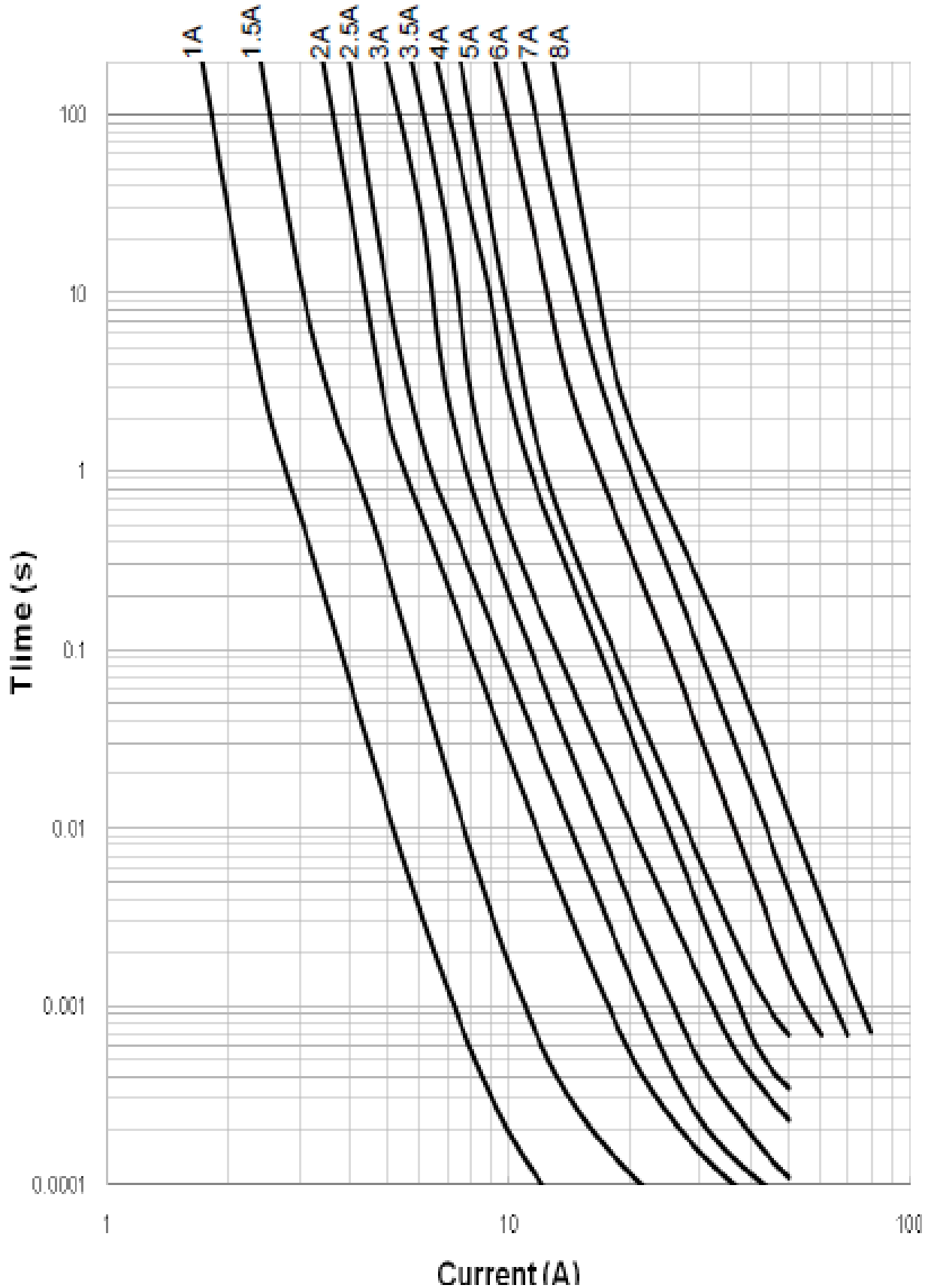
- Normal ambient temperature: 23+/-3 C
- Operating temperature: -55 ~ 150 C, with proper correction factor applied

Time Delay | 0.063x0.032 inch

Thick Film Chip Fuses

0603TD Series

Average Time Current Curves



X-ON Electronics

Largest Supplier of Electrical and Electronic Components

Click to view similar products for [Surface Mount Fuses](#) category:

Click to view products by [PROSEMI](#) manufacturer:

Other Similar products are found below :

[FHC20402ADTP](#) [NFVC6125S0R50TRF](#) [TF16SN2.00TTD](#) [0686-5000-01](#) [0685-4000-01](#) [FCC16501ABTP](#) [FCC16102ABTP](#)
[FHC16322ADTP](#) [0308001.UR](#) [FCC16202ABTP](#) [7010.9962.63](#) [SEF 12A 65V \(G\)](#) [MST 250mA 250V](#) [TB60](#) [06 100.4](#) [TBF50](#) [TBF40](#)
[2010T315mA250V](#) [06 110.7](#) [12 100.1.5](#) [06 110.5](#) [1206FA-R250](#) [R06.100.6](#) [R12.100.15](#) [R06.000.0.375](#) [R06.000.6](#) [R06.100.0.25](#) [R12.000.8](#)
[R06.000.0.5](#) [R06.000.0.75](#) [R06.000.8](#) [R06.100.0.75](#) [R06.100.8](#) [R06.100.0.375](#) [R06.100.0.5](#) [R06.000.7](#) [R06.100.7](#) [S0603-S-2.0A](#) [F06F3.5](#)
[F12F20](#) [TA3VT2](#) [F12F1](#) [F06F7](#) [F06T3.5](#) [F06F0.375](#) [F06T8](#) [F12F30](#) [4T2A250V](#) [R12.100.7](#) [R12.100.30](#)