

## Fast Acting | 0.126x0.064 inch Thick Film Chip Fuses

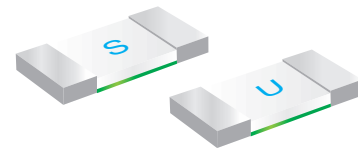
## 1206HV Series

1206HV Series are the fuses set the industry standard for performance, reliability and quality. The solder-free design provides excellent on-off and temperature cycling characteristics during use and also makes our SMD fuses more heat and shock tolerant than typical subminiature fuses.



### Features

- Compatible with reflow and wave solder
- Ceramic and glass construction
- Halogen free, lead free and RoHS compliant
- Excellent environmental integrity
- One time positive disconnect
- AEC-Q200 Automotive Grade Certified



### Applications

- Flat panel displays and televisions
- Automotive infotainment and ECU
- Computer servers
- Portable electronics
- Mobile device chargers
- Power Battery Packs

### Electrical Characteristics

Amp Rating	% of Amp Rating	Opening Time
0.25~5A	100%	4 Hours Min.
	250%	5 Seconds Max.

### Specification

Part Number	Ampere Rating (A)	Voltage Rating (V)	Interrupting Rating	Typical Cold Resistance (Ohms)	Typical Melting I <sup>2</sup> t (A <sup>2</sup> Sec)	Typical Voltage Drop (V)	Marking Code
1206HV-R250	0.250	125Vac/dc	50A	3.598	0.02	1.406	.25
1206HV-R375	0.375	125Vac/dc	50A	1.875	0.13	0.717	E
1206HV-R500	0.500	125Vac/dc	50A	1.019	0.18	0.670	0.5
1206HV-R750	0.750	125Vac/dc	50A	0.790	0.43	0.988	.75
1206HV-1A	1.00	125Vac/dc	50A	0.270	0.69	0.305	H
1206HV-1.25A	1.25	125Vac/dc	50A	0.169	1.7	0.283	-
1206HV-1.5A	1.50	125Vac/dc	50A	0.123	2.3	0.261	1.5
1206HV-2A	2.00	125Vdc	50A	0.081	3.1	0.199	N
1206HV-2.5A	2.50	125Vdc	50A	0.035	3.9	0.136	2.5
1206HV-3A	3.00	125Vdc	50A	0.031	5	0.131	P
1206HV-3.5A	3.50	72Vdc	50A	0.024	12.2	0.135	3.5
1206HV-4A	4.00	72Vdc	50A	0.019	15	0.120	S
1206HV-5A	5.00	72Vdc	50A	0.016	17	0.099	T

- DC Interrupting Rating - Measured at designated voltage, time constant < 50 microseconds.
- DC Cold Resistance are measured at <10% of rated current in ambient temperature of 25°C.
- Typical Melting I<sup>2</sup>t measured at 10In Current.
- Typical Voltage Drop measured at rated current after temperature has stabilized.

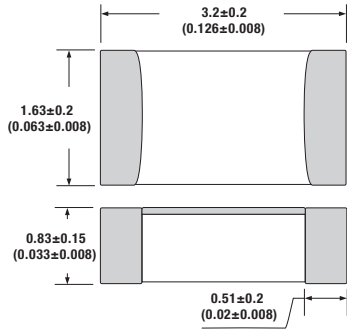
# Fast Acting | 0.126x0.064 inch

## Thick Film Chip Fuses

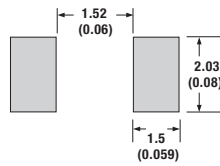
## 1206HV Series

### Dimension

Unit: mm/inch



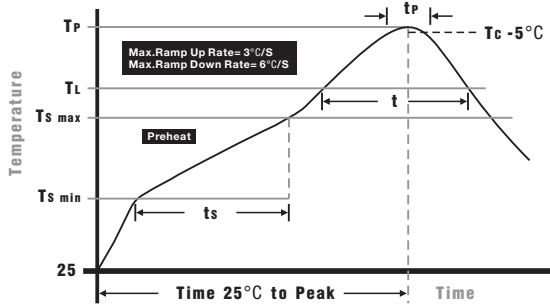
### Pad layout



### Packaging

- Quantity: 3,000pcs
- 8mm wide tape on 178mm(7 inch) diameter reel -specification EIA Standard 481.

### Soldering Parameters

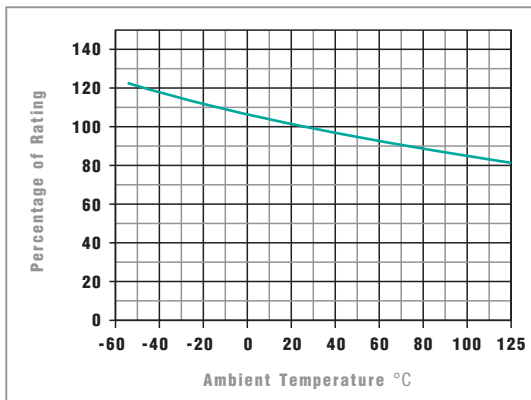


Wave Soldering: 260°C, 10 seconds max.  
Infrared Reflow: 260°C, 30 seconds max.

### IR Reflow Profile

<b>Preheat Heat</b>	
Temperature min (T <sub>min</sub> )	150°C
Temperature max (T <sub>max</sub> )	200°C
Time (T <sub>min</sub> to T <sub>max</sub> ) (ts)	60 - 120 seconds
Average ramp-up rate (T <sub>max</sub> to T <sub>p</sub> )	3°C/second max.
<b>Liquidous temperature (T<sub>l</sub>)</b>	
Time at liquidous (t <sub>l</sub> )	60 - 150 seconds
<b>Peak temperature (T<sub>p</sub>)</b>	
Peak temperature (T <sub>p</sub> )	260+0/-5°C
<b>Time within 5°C of actual peak Temperature (t<sub>p</sub>)</b>	
Time within 5°C of actual peak Temperature (t <sub>p</sub> )	10 - 30 seconds
<b>Average ramp-down rate (T<sub>p</sub> to T<sub>max</sub>)</b>	
Average ramp-down rate (T <sub>p</sub> to T <sub>max</sub> )	6°C/second max.
<b>Time 25 °C to peak temperature</b>	
Time 25 °C to peak temperature	8 minutes max.

### Temperature Derating Curve



- Normal Operating Temperature: 23°C ± 2
- Operating Temperature: -55 to 125°C
- The fuse rating is determined by the equation below:

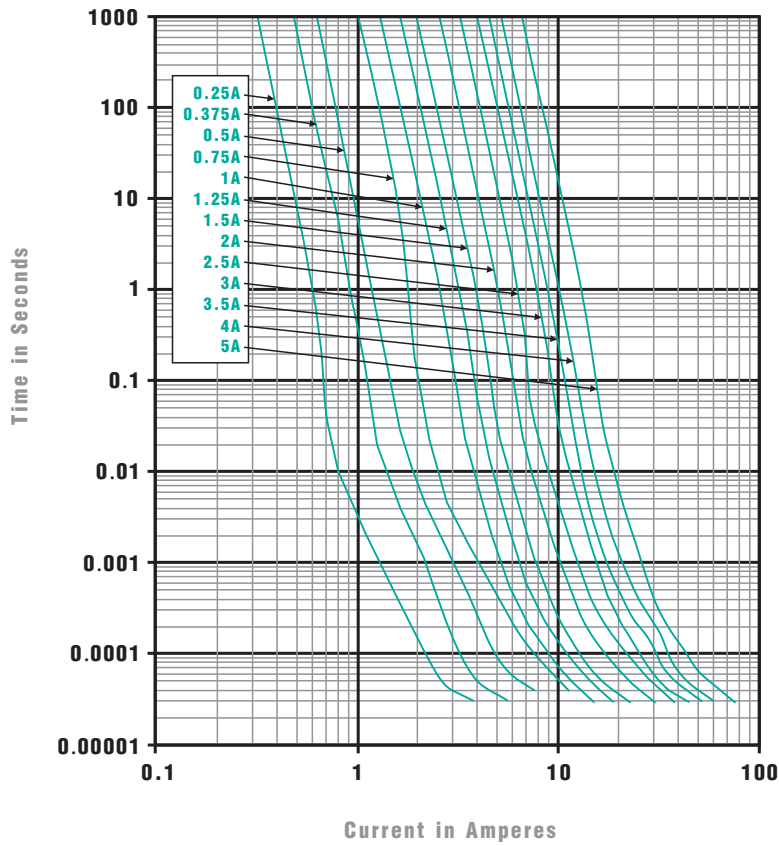
$$I_n = \frac{I_{\text{input max.}}}{0.70 \times K_{\text{temp}}}$$

Fast Acting | 0.126x0.064 inch

Thick Film Chip Fuses

1206HV Series

Average Time Current Curves



© 2017 PROSEMI Inc. All Rights Reserved. Specifications and features are subject to change without notice. [www.prosemitech.com](http://www.prosemitech.com)

The PROSEMI logo, and all other PROSEMI trademarks are the property of PROSEMI Inc. All other trademarks are the property of their respective owners.

## X-ON Electronics

Largest Supplier of Electrical and Electronic Components

*Click to view similar products for [Surface Mount Fuses](#) category:*

*Click to view products by [PROSEMI](#) manufacturer:*

Other Similar products are found below :

[FHC20402ADTP](#) [NFVC6125S0R50TRF](#) [SFT-125MA](#) [TF16SN2.00TTD](#) [FCC16501ABTP](#) [FCC16102ABTP](#) [FHC16322ADTP](#) [0308.250UR](#)  
[0308.375UR](#) [0308.500UR](#) [0308.750UR](#) [0308001.UR](#) [030801.5UR](#) [F0603G0R03FNTR](#) [SKY87604-12](#) [SKY87604-11](#) [SKY87604-13](#)  
[R451003.L](#) [R451.500L](#) [R451001.L](#) [3-103-119](#) [3-103-123](#) [SGB401](#) [SGB075](#) [0154002.DRL](#) [0154008.DRL](#) [0154.500DRL](#) [189140.1,25](#)  
[189140.0,8](#) [189140.0,4](#) [189140.0,63](#) [189140.0,25](#) [0402FA-R200](#) [0402SFF150F/24-2](#) [0435.250KRHFS](#) [0468003.WR](#) [0494001.NRHF](#)  
[0494002.NRHF](#) [0494003.NRHF](#) [049402.5NRHF](#) [049403.5NRHF](#) [0494.250NRHF](#) [0494.375NRHF](#) [0494.500NRHF](#) [CF06V3T1R60](#)  
[CF06V3T2R50](#) [06H1300D](#) [JFC0603-1200FS](#) [CP06V3T2R0](#) [06F-0200L1](#)