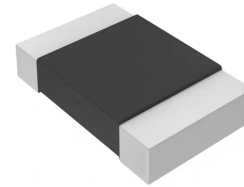
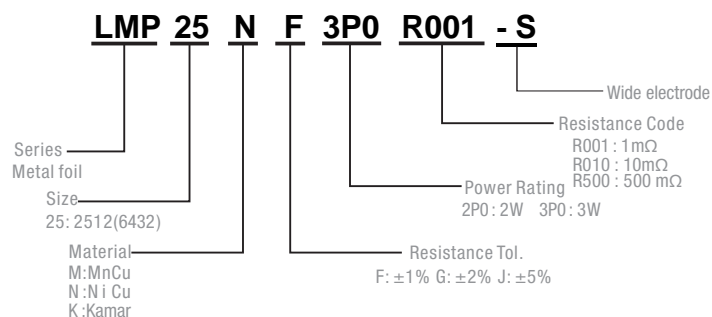


Description

- Proprietary processing technique produces extremely low resistance values
- Very low inductance
- Low thermal EMF
- Metallic Material



Part Numbering System

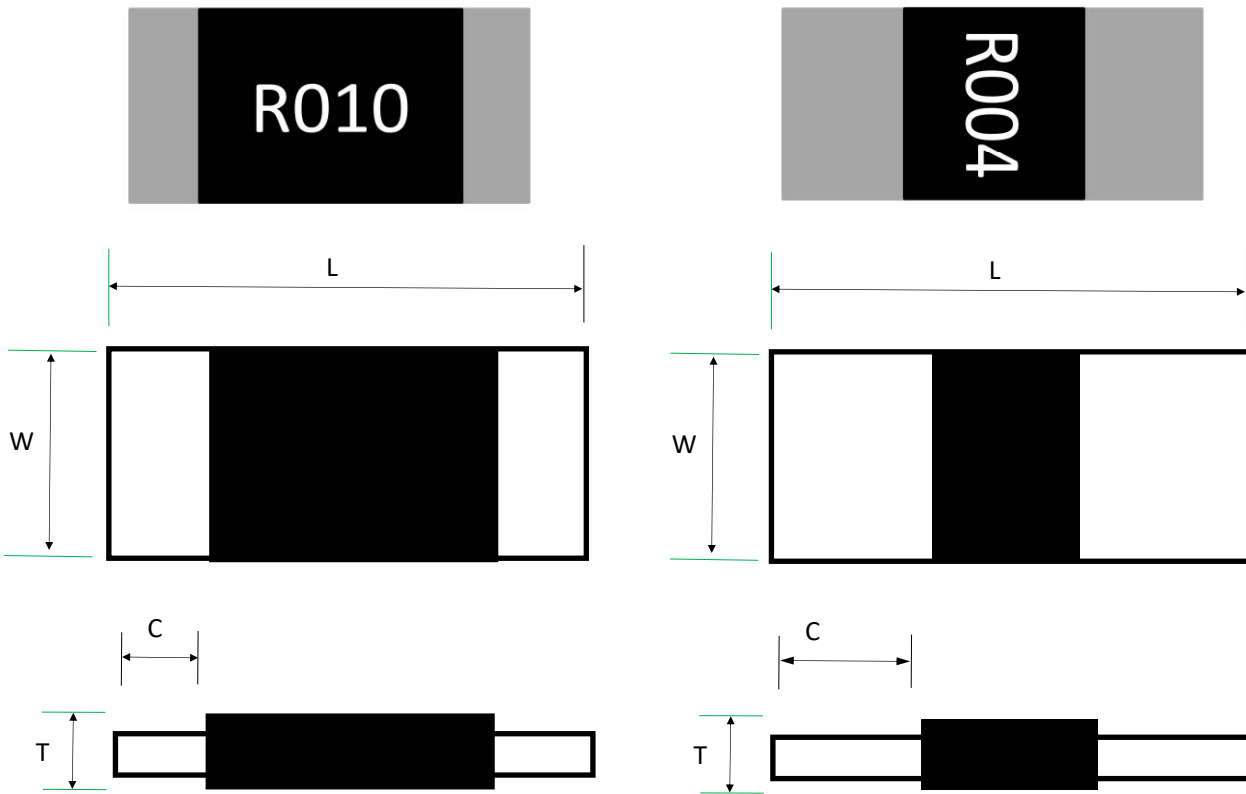


| Parameter | Standard |
|---|----------------------------------|
| Power Rating | 1mΩ~100mΩ : 3W 1mΩ~500mΩ : 2W |
| Resistance Value | 1~500mΩ |
| Operating Temperature Range | -55 to +170°C |
| Component Temperature Coefficient (TCR) | ± 50 ppm/°C |
| Maximum Working Voltage (V) | $(P \times R)^{1/2}$ |

Standard Electrical Specifications

| Type | Rating Power at 70°C | T.C.R. (ppm/°C) | Resistance Range(mΩ) 1.0% (F) 2.0% (G) 5.0% (J) | Material | Electrode | Operating Temperature(°C) |
|-------|----------------------|-----------------|--|-----------------|------------------|---------------------------|
| LMP25 | 2W | 50 | 1-10 | R001-R010:MnCu | R001-R004:Wide | -55~+170°C |
| | | | 1-100 | R001-R100:NiCu | R005-R100:Narrow | |
| | | | 101-500 | R101-R500:Kamar | R101-R500:Narrow | |
| | 3W | 50 | 1-100 | R001- R100:MnCu | R001-R004:Wide | |
| | | | 1-100 | R001-R100:NiCu | R005-R100:Narrow | |

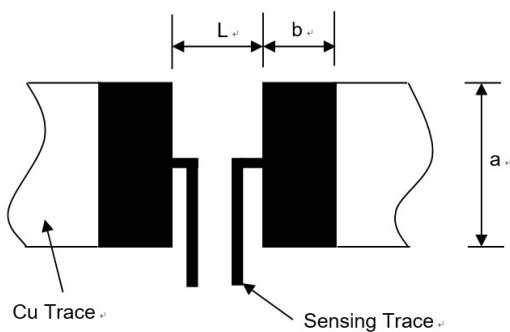
Construction:



Unit: Millimeters

| Type | Power | L | W | C | t |
|-------|-------|---------------|---------------|------------------------|---------------|
| LMP25 | 2W | 6.4 ± 0.2 | 3.2 ± 0.2 | 1.0 ± 0.2 (Narrow) | 0.7 ± 0.2 |
| | | | | 2.2 ± 0.2 (Wide) | |
| | 3W | 6.4 ± 0.2 | 3.2 ± 0.2 | 1.0 ± 0.2 (Narrow) | 0.9 ± 0.2 |
| | | | | 2.2 ± 0.2 (Wide) | |

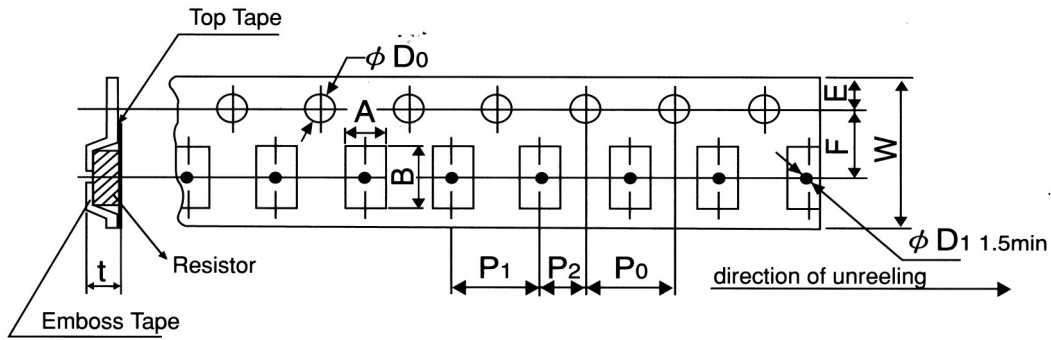
Recommended land pattern



Unit: Millimeters

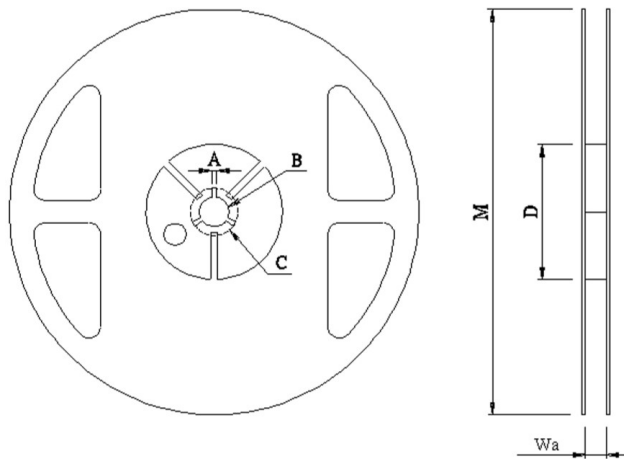
| Resistance Range (Ω) | a | b | L |
|-------------------------------|---------------|---------------|---------------|
| 0.001-0.004(Wide) | 4.0 ± 0.1 | 3.1 ± 0.1 | 1.3 ± 0.1 |
| 0.005~0.500(Narrow) | 4.0 ± 0.1 | 2.1 ± 0.1 | 4.1 ± 0.1 |

Tapping & Package



| Type | Pack | A ±0.2 | B ±0.2 | D0 +0.5-0 | E ±0.1 | F ±0.05 | P0 ±0.1 | P1 ±0.1 | P2 ±0.1 | W ±0.2 | D1 ±0.05 | T ±0.15 |
|------|--------|-----------|-----------|--------------|-----------|------------|------------|------------|------------|-----------|-------------|------------|
| 2512 | Emboss | 3.60 | 6.90 | 1.50 | 1.75 | 5.50 | 4.00 | 4.00 | 2.00 | 12.00 | 1.50 | 1.20 |

Reel Specification

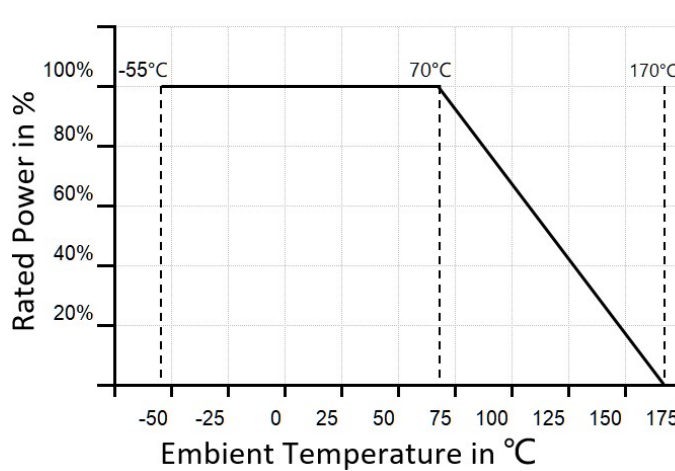


| Type | A | B | C | D | M | W |
|------|----------|-----------|-----------|-----------|------------|-----------|
| 2512 | 2.00±0.5 | 13.50±0.5 | 21.00±0.5 | 80.00±1.0 | 178.00±2.0 | 13.80±0.5 |

Performance

| Test Items | Conditions of Test | Test Limits |
|--------------------------------|---|-------------|
| Thermal shock | - 55 °C to + 150 °C, 300 cycles, 15 min at each extreme | ± 1.0 % |
| Short time overload | 5 x rated power for 5 s | ± 0.5 % |
| Low temperature operation | - 55 °C, 1000 h | ± 0.5 % |
| High temperature exposure | 1000h at + 170 °C | ± 1.0 % |
| Moisture resistance | MIL-STD- 202, method 106, 0 % power, 7b not required | ± 1.0 % |
| Load life | 1000 h at 70 °C , 1.5 h "ON", 0.5 h "OFF" | ± 1.0 % |
| Resistance to bonding exposure | 260 °C for 10 s | ± 0.5 % |

Derating Curve



Packaging

Quantity: 4, 000pcs

8mm wide tape on 178mm(7 inch)
diameter reel -specification EIA
Standard 481.

X-ON Electronics

Largest Supplier of Electrical and Electronic Components

Click to view similar products for [Thick Film Resistors - SMD category](#):

Click to view products by [PROSEMI manufacturer](#):

Other Similar products are found below :

[CR-05FL7--150R](#) [CR-05FL7--698K](#) [CR-12FP4--324R](#) [CR-12JP4--680R](#) [M55342K06B10D0RS6](#) [M55342K06B14E0RS6](#)
[M55342K06B1E78RS3](#) [M55342K06B24E9RS6](#) [M55342K06B6E19RWL](#) [M55342K06B6E81RS3](#) [M55342M05B200DRWB](#)
[M55342M06B4K70MS3](#) [MC0603-511-JTW](#) [742C083750JTR](#) [MCR01MZPF1202](#) [MCR01MZPF1601](#) [MCR01MZPF1800](#)
[MCR01MZPF6201](#) [MCR01MZPF9102](#) [MCR01MZPJ113](#) [MCR01MZPJ121](#) [MCR01MZPJ125](#) [MCR01MZPJ751](#) [MCR03EZHZ103](#)
[MCR03EZPF2004](#) [MCR03EZPJ270](#) [MCR03EZPJ821](#) [MCR10EZPF1102](#) [MCR10EZPF2700](#) [MCR18EZPJ330](#) [RC1005F1152CS](#)
[RC1005F1182CS](#) [RC1005F1372CS](#) [RC1005F183CS](#) [RC1005F1911CS](#) [RC1005F1912CS](#) [RC1005F203CS](#) [RC1005F2052CS](#)
[RC1005F241CS](#) [RC1005F2431CS](#) [RC1005F3011CS](#) [RC1005F303CS](#) [RC1005F4321CS](#) [RC1005F4642CS](#) [RC1005F471CS](#)
[RC1005F4751CS](#) [RC1005F5621CS](#) [RC1005F6041CS](#) [RC1005J106CS](#) [RC1005J121CS](#)