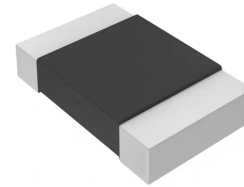
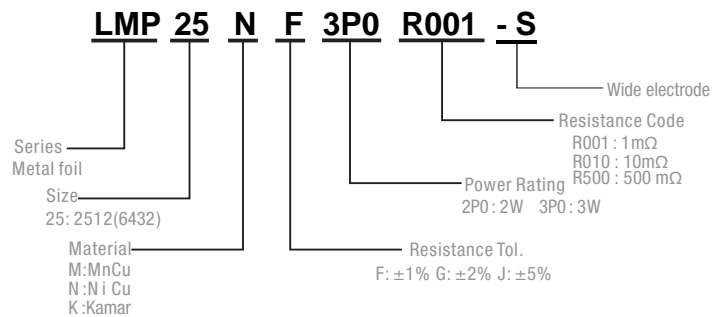


Description

- Proprietary processing technique produces extremely low resistance values
- Very low inductance
- Low thermal EMF
- Metallic Material



Part Numbering System

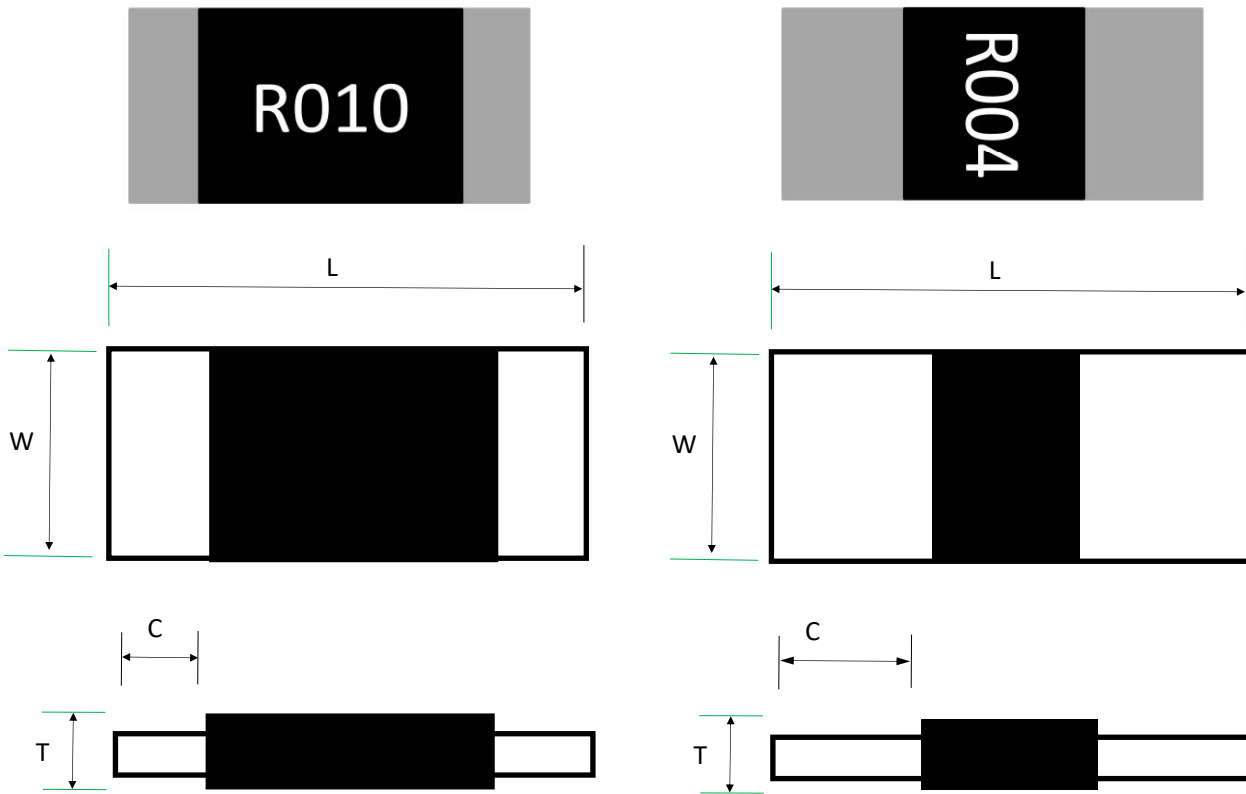


| Parameter | Standard |
|---|----------------------------------|
| Power Rating | 1mΩ~100mΩ : 3W 1mΩ~500mΩ : 2W |
| Resistance Value | 1~500mΩ |
| Operating Temperature Range | -55 to +170°C |
| Component Temperature Coefficient (TCR) | ± 50 ppm/°C |
| Maximum Working Voltage (V) | $(P \times R)^{1/2}$ |

Standard Electrical Specifications

| Type | Rating Power at 70°C | T.C.R. (ppm/°C) | Resistance Range(mΩ) 1.0% (F) 2.0% (G) 5.0% (J) | Material | Electrode | Operating Temperature(°C) |
|-------|----------------------|-----------------|--|-----------------|------------------|---------------------------|
| LMP25 | 2W | 50 | 1-10 | R001-R010:MnCu | R001-R004:Wide | -55~+170°C |
| | | | 1-100 | R001-R100:NiCu | R005-R100:Narrow | |
| | | | 101-500 | R101-R500:Kamar | R101-R500:Narrow | |
| | 3W | 50 | 1-100 | R001- R100:MnCu | R001-R004:Wide | |
| | | | 1-100 | R001-R100:NiCu | R005-R100:Narrow | |

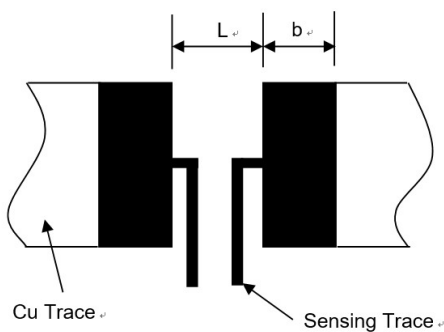
Construction:



Unit: Millimeters

| Type | Power | L | W | C | t |
|-------|-------|---------------|---------------|------------------------|---------------|
| LMP25 | 2W | 6.4 ± 0.2 | 3.2 ± 0.2 | 1.0 ± 0.2 (Narrow) | 0.7 ± 0.2 |
| | | | | 2.2 ± 0.2 (Wide) | |
| | 3W | 6.4 ± 0.2 | 3.2 ± 0.2 | 1.0 ± 0.2 (Narrow) | 0.9 ± 0.2 |
| | | | | 2.2 ± 0.2 (Wide) | |

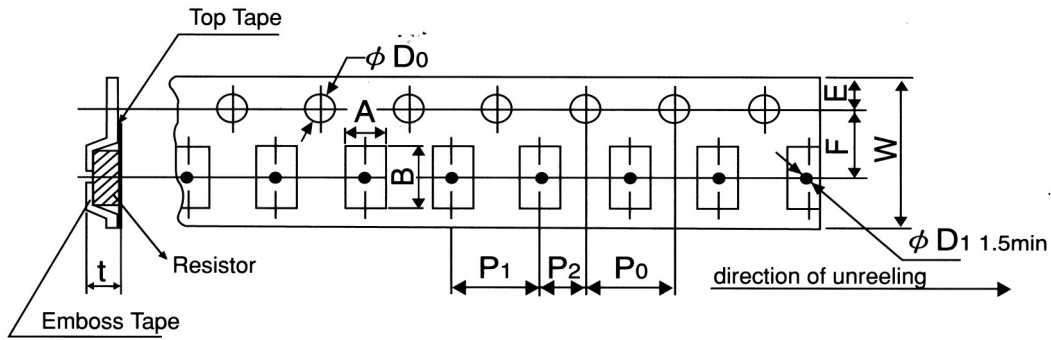
Recommended land pattern



Unit: Millimeters

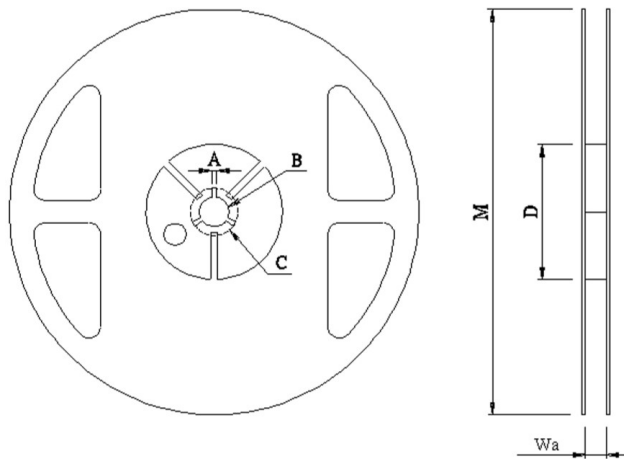
| Resistance Range (Ω) | a | b | L |
|-------------------------------|---------------|---------------|---------------|
| 0.001-0.004(Wide) | 4.0 ± 0.1 | 3.1 ± 0.1 | 1.3 ± 0.1 |
| 0.005~0.500(Narrow) | 4.0 ± 0.1 | 2.1 ± 0.1 | 4.1 ± 0.1 |

Tapping & Package



| Type | Pack | A ±0.2 | B ±0.2 | D0 +0.5-0 | E ±0.1 | F ±0.05 | P0 ±0.1 | P1 ±0.1 | P2 ±0.1 | W ±0.2 | D1 ±0.05 | T ±0.15 |
|------|--------|-----------|-----------|--------------|-----------|------------|------------|------------|------------|-----------|-------------|------------|
| 2512 | Emboss | 3.60 | 6.90 | 1.50 | 1.75 | 5.50 | 4.00 | 4.00 | 2.00 | 12.00 | 1.50 | 1.20 |

Reel Specification

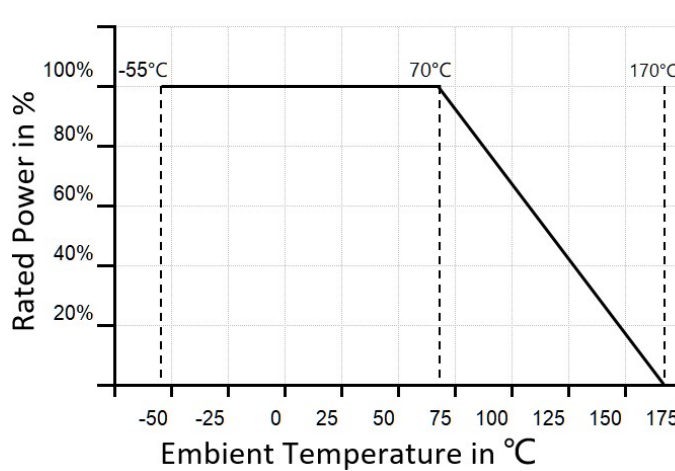


| Type | A | B | C | D | M | W |
|------|----------|-----------|-----------|-----------|------------|-----------|
| 2512 | 2.00±0.5 | 13.50±0.5 | 21.00±0.5 | 80.00±1.0 | 178.00±2.0 | 13.80±0.5 |

Performance

| Test Items | Conditions of Test | Test Limits |
|--------------------------------|---|-------------|
| Thermal shock | - 55 °C to + 150 °C, 300 cycles, 15 min at each extreme | ± 1.0 % |
| Short time overload | 5 x rated power for 5 s | ± 0.5 % |
| Low temperature operation | - 55 °C, 1000 h | ± 0.5 % |
| High temperature exposure | 1000h at + 170 °C | ± 1.0 % |
| Moisture resistance | MIL-STD- 202, method 106, 0 % power, 7b not required | ± 1.0 % |
| Load life | 1000 h at 70 °C , 1.5 h "ON", 0.5 h "OFF" | ± 1.0 % |
| Resistance to bonding exposure | 260 °C for 10 s | ± 0.5 % |

Derating Curve



Packaging

Quantity: 4, 000pcs

8mm wide tape on 178mm(7 inch)
diameter reel -specification EIA
Standard 481.

X-ON Electronics

Largest Supplier of Electrical and Electronic Components

Click to view similar products for [Current Sense Resistors - SMD category](#):

Click to view products by [PROSEMI manufacturer](#):

Other Similar products are found below :

[CRL0603-FW-R700ELF](#) [PFS35-200RF1](#) [NPS 2-T126 5.000 OHM 1%](#) [PFS35-0R01J1](#) [PFS35-0R05J1](#) [PFS35-5RF1](#) [CD2015FC-0.10-1%](#)
[PR2512FKF7W0R004L](#) [RC1005F124CS](#) [RL73K3AR56JTDF](#) [RL7520WT-R001-F](#) [RL7520WT-R009-G](#) [RL7520WT-R020-F](#) [LRC-](#)
[LR2512LF-01-R820J](#) [WR06X104JGLJ](#) [TL2BR01F](#) [65709-330](#) [SP1R12J](#) [RL7520WT-R039-G](#) [RL7520WT-R002-F](#) [LRF2010-R003JW](#)
[KRL1632E-C-R200-F-T5](#) [KRL1632E-C-R200-F-T1](#) [RLP73M1ER051FTDF](#) [RLP73M2AR075FTDF](#) [RLP73M1JR051FTDF](#)
[SR731ERTTP5R10F](#) [SR731ERTTP100J](#) [SR731ERTTP6R80F](#) [SR731ERTTP4R70F](#) [SR731ERTTP2R20F](#) [SR731ERTTP3R90F](#)
[SR731ERTTP1R00F](#) [SR731ERTTP10R0F](#) [SR731ERTTP2R00F](#) [SR731ERTTP8R20F](#) [SR731ERTTP3R9J](#) [SR731ERTTP8R2J](#)
[SR731ERTTP2R0J](#) [SR731ERTTP4R7J](#) [SR731ERTTP9R1J](#) [SR731ERTTP1R0J](#) [SR731ERTTP2R2J](#) [SR731ERTTP5R1J](#) [SR731ERTTP6R8J](#)
[SR731ERTTP9R10F](#) [RCWE2512R180FKEA](#) [FCSL64R007JER](#) [LRF1206-R018FW](#) [TLR2B10DR022FTDG](#)