

Lead type fuse (Electric motorcycle cable)

PMC-35C-80 Series

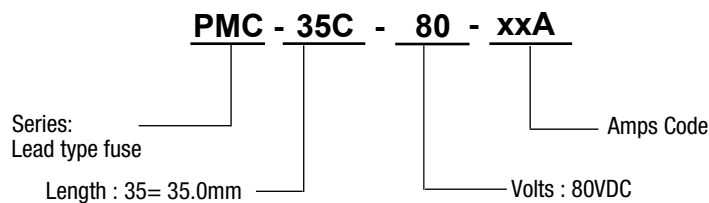
Volts-80VDC Amps-20 to 60A



Description

- Rated Voltage: Below DC80V
- Rated Current: 20A、30A、40A、50A、60A
- Operating Temperature Range: -40°C to + 125°C
- Interrupting Rating : 1000A @ 80 VDC
- Housing Material : PC
- Mounting Torque M5: : 4.5 Nm +/- 1Nm
- Case can be printed the current code
- Standard: ISO 8820-5:2007

Part Numbering System



Functional Characteristics

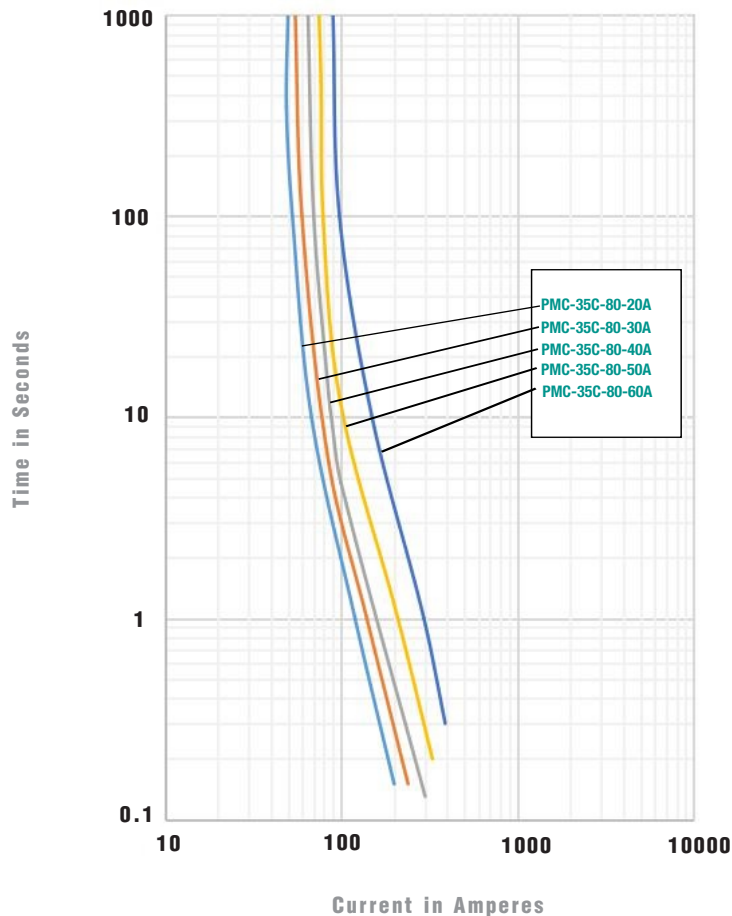
Test Current	Opening Time (30A~125A Fusing time)		Opening Time (150A~200A Fusing time)	
	Min.	Max.	Min.	Max.
100%	100hrs.	---	---	---
110%	4hrs.	---	---	---
150%	90s	3,600s	---	---
200%	3s	100s	1s	15s
300%	0.3s	3s	---	---
350%	---	---	0.3s	5s
500%	0.1s	1s	---	---

Lead type fuse (Electric motorcycle cable)
PMC-35C-80 Series
Volts-80VDC Amps-20 to 60A

Specifications

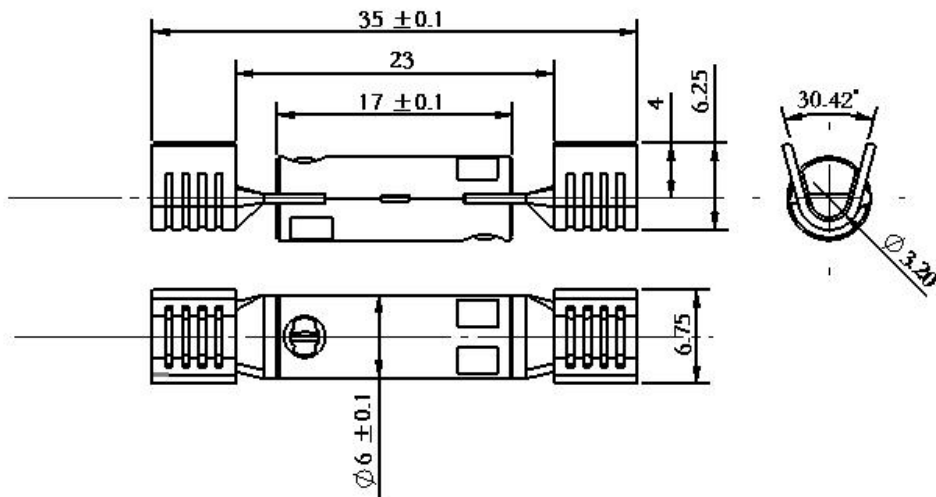
Assembly P/N	Current & Voltage Rating	Cold resistance R ±10% mΩ	I ² T A ² S	Case color
PMC-35C-80-20A	20A/80V	2.7	1150	Yellow
PMC-35C-80-30A	30A/80V	1.93	3200	Orange
PMC-35C-80-40A	40A/80V	1.43	4950	Green
PMC-35C-80-50A	50A/80V	1.15	12400	Red
PMC-35C-80-60A	60A/80V	0.92	18300	Yellow

Time-current characteristics curves

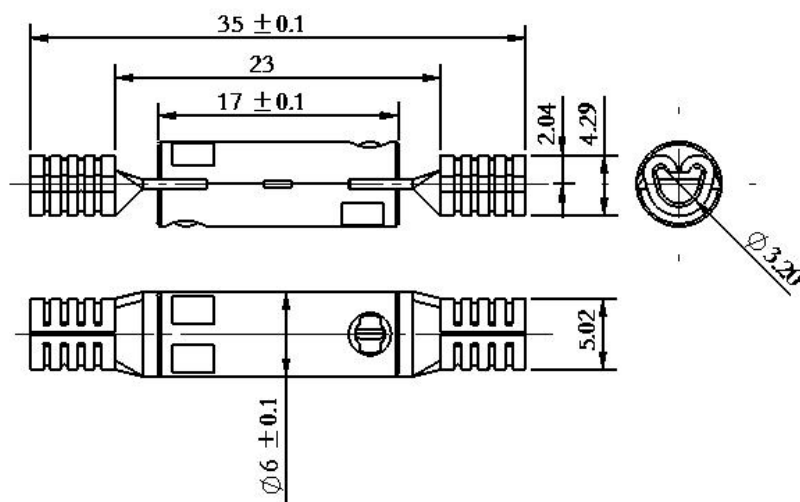


Lead type fuse (Electric motorcycle cable)
 PMC-35C-80 Series
 Volts-80VDC Amps-20 to 60A

Product Dimension



Product size before wiring



Product size after wiring

***Special statement:** the parameters provided in this product manual are the test results under standard conditions, only for customers as a type selection reference, if there is a difference between the actual conditions and standard conditions, please contact our technical staff. Our company reserves the right to update, change and modify the information in the data sheet without notice. The actual technical parameters of the product shall be subject to the technical specification formally provided when ordering.

X-ON Electronics

Largest Supplier of Electrical and Electronic Components

Click to view similar products for [Surface Mount Fuses](#) category:

Click to view products by [PROSEMI](#) manufacturer:

Other Similar products are found below :

[FHC20402ADTP](#) [NFVC6125S0R50TRF](#) [SFT-125MA](#) [TF16SN2.00TTD](#) [FCC16501ABTP](#) [FCC16102ABTP](#) [FHC16322ADTP](#) [0308.250UR](#)
[0308.375UR](#) [0308.500UR](#) [0308.750UR](#) [0308001.UR](#) [030801.5UR](#) [F0603G0R03FNTR](#) [SKY87604-12](#) [SKY87604-11](#) [SKY87604-13](#)
[7010.9962.63](#) [R451003.L](#) [R451.500L](#) [R451001.L](#) [3-103-119](#) [3-103-123](#) [SGB401](#) [SGB075](#) [0154002.DRL](#) [0154008.DRL](#) [0154.500DRL](#)
[189140.1,25](#) [189140.0,8](#) [189140.0,4](#) [189140.0,63](#) [189140.0,25](#) [0402FA-R200](#) [0402SFF150F/24-2](#) [0435.250KRHFS](#) [0468003.WR](#)
[0494001.NRHF](#) [0494002.NRHF](#) [0494003.NRHF](#) [049402.5NRHF](#) [049403.5NRHF](#) [0494.250NRHF](#) [0494.375NRHF](#) [0494.500NRHF](#)
[CF06V3T1R60](#) [CF06V3T2R50](#) [06H1300D](#) [JFC0603-1200FS](#) [CP06V3T2R0](#)