



ALAN BUTCHER COMPONENTS LTD



Alan Butcher Components Ltd
Unit 1 Beechwood
Clump Farm Industrial Estate
Tin Pot Lane Blandford
Dorset DT11 7TD

Telephone 01258 456360
Facsimile 01258 459194
sales@abcomponents.co.uk
www.abcomponents.co.uk

ABI 008 SPECIFICATION SHEET

Features:

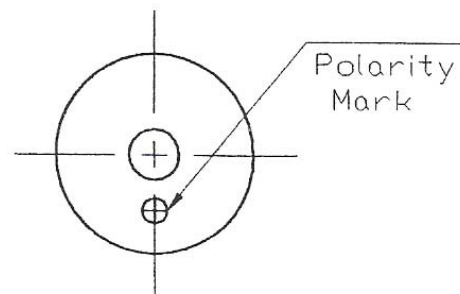
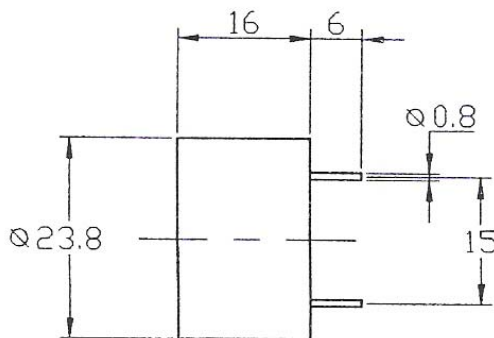
- Colour: Black
- Housing Material: ABS
- PCB Thro Hole Mounted

All data at 25°C unless otherwise specified.

SPECIFICATIONS	ABI 008 – Piezo Indicator
Rated Voltage	12VDC
Operating Voltage	3 ~ 20VDC
Rated Current at rated voltage	8mA
Min Sound Output at 30cm, at rated voltage	85dB
Resonant Frequency	2900±500Hz
Tone	Continuous
Operating Temperature	-20 ~ +60°C
Storage Temperature	-30 ~ +70°C
Weight	6g

Value applying rated voltage (DC)

DIMENSIONS: (UNIT: mm, TOLERANCE: ±0.5mm)



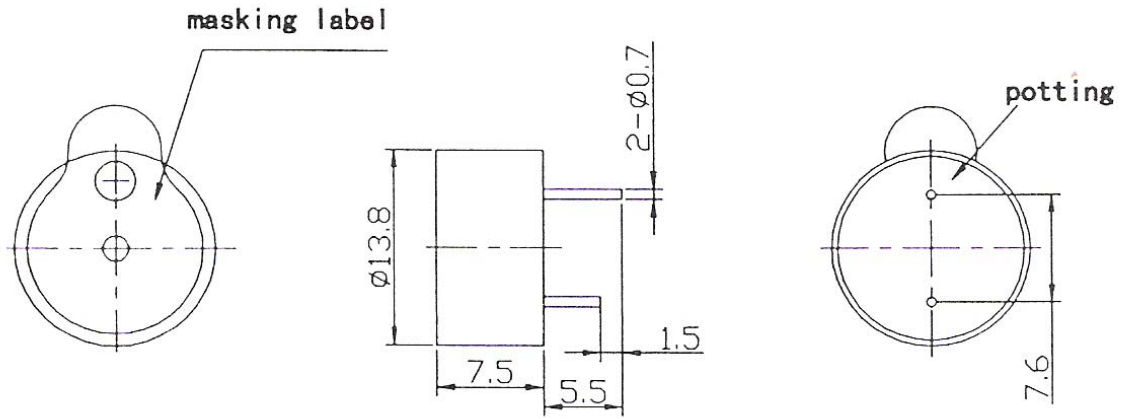


ALAN BUTCHER COMPONENTS LTD



Alan Butcher Components Ltd
Unit 1 Beechwood
Clump Farm Industrial Estate
Tin Pot Lane Blandford
Dorset DT11 7TD

Telephone 01258 456360
Facsimile 01258 459194
sales@abcomponents.co.uk
www.abcomponents.co.uk



X-ON Electronics

Largest Supplier of Electrical and Electronic Components

Click to view similar products for [pro signal manufacturer](#):

Other Similar products are found below :

[KVM-404](#) [JR8030/25M](#) [MP-012LN](#) [MJ-2325](#) [AV02019](#) [AV02009](#) [MC34967](#) [MC34971](#) [ABI-049-RC](#) [SVC675S-10M](#) [11.99.8870](#)
[PSG01592](#) [PSG01567](#) [PSG01546](#) [PSG01522](#) [PS11468](#) [PS11199](#) [PS11072](#) [PS11360](#) [PS11156](#) [PS11147](#) [PSG03905](#) [PSG00559](#) [PSG00564](#)
[PS000177](#) [PHONO PLG-PLG 10M](#) [AV02560](#) [AV02595](#) [USB-0039DBL](#) [PSG90957](#) [PSG01495](#) [PSG01462](#) [PS11386](#) [PS11193](#) [PS11028](#)
[PS11179](#) [RP004](#) [PSG90986](#) [27-9650](#) [PSG02699](#) [24-15623](#) [USB2.0EX0104](#) [ABS-237-RC](#) [JR8013-10M](#) [JR8009/5M](#) [LS00532](#) [AVVCL65](#)
[LCL](#) [PSG90820](#) [PSG90806](#)