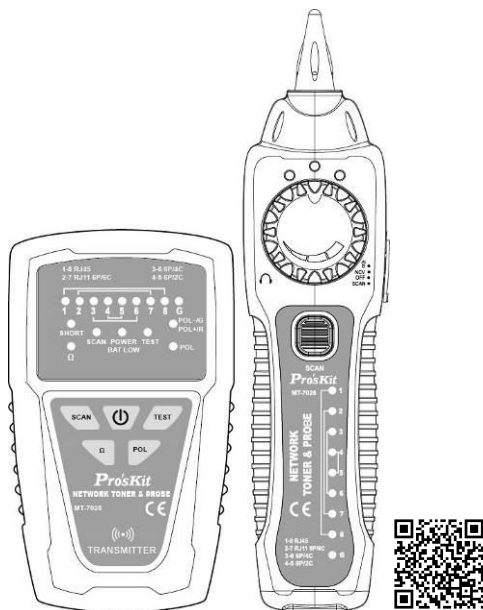


# Pro'sKit®

## MT-7028 Network Toner & Probe Kit

CE



**User's Manual**

**1<sup>st</sup> Edition,**

**©2020 Copyright by Prokit's Industries Co., Ltd.**

Thank you for your purchase of **Pro'sKit MT-7028 Network Toner & Probe Kit**. The Toner and Probe set is used to quickly trace and identify cables or wires within a group and also check the operation of telephone lines. With proper use and care, this instrument will provide many years of reliable service.

## **SPECIFICATIONS**

<b>MT-7028 Transmitter specifications</b>	
Tone frequency	1kHz
Max. distance of transmission	3km
Max. distance of cable map	300m
Max. working current	≤ 65mA
Tone mode	Hi/Low two-note tone
Cable test socket	Test socket : for RJ45(8 pin)/RJ11(6 pin) cable map test. RJ45 SCAN socket : for RJ45 locating individual wire pairs RJ11 SCAN socket: for RJ11 locating individual wire pairs
Test Cable types	RJ45 Lan cable Cat 5 · 5e · 6(UTP/ STP) · RJ11/12 Telephone cable Cat 3 (6P/2C/4C/6C)
Scan Cable types	RJ45 Lan cable Cat 5 · 5e · 6(UTP) · RJ11/12 Telephone cable Cat 3 (6P/2C/4C/6C)
Function selection	5 Push button switch (POWER · SCAN · TEST · Ω · POL)
Continuity test	1 LED ( ≤ 300Ω), Coaxial cable & normal solid/Stranded wire by alligator clips patch cord.
Max. signal voltage	10Vp-p
Cable map indication	8 LEDs, Fast/Slow dual speed
Shielded indication	1 LED
Phone line polarity indication	1 Dual color LED
Live telecommunication equipment test and router test	Yes
Voltage protection	DC 48V
Auto power off	1 hour
Low battery display	6.5V (Power LED flashes)
Battery type	DC 9.0V (NEDA 1604/ 6F22 DC9V ×1pcs)

Dimension (LxWxD)	138x80x35 mm
Weight	140g
<b>MT-7028 Receiver specifications</b>	
Frequency	1kHz
The Max. working current	≤ 90mA
Compatible connectors	RJ45(8 pin)/RJ11(6 pin)
Function selection	4 Position mode switch (LED · NCV · OFF · SCAN)
Earphone jack	1
Signal status indication	1 LED & Buzzer
Cable map indication	8 LEDs
Shielded indication	1 LED
NCV indication	1 LED (AC90~1000V , ≥50mm , ≤100mm)
LED illumination	1 LED
Power indication	1 LED
Battery type	DC 9.0V (NEDA 1604/ 6F22 DC9V x1pcs)
Dimension (LxWxD)	203x50x32 mm
Weight	100g



### Warning

- Never use the Transmitter or Receiver on circuits of **more than** DC 48V.
- Never use the Transmitter, Receiver, or test leads if they are damaged. Inspect the cases and test leads for damage before use.
- Disconnect unused test leads and connectors from the Transmitter when testing telephone circuits.
- Never open the case except to change the battery or the fuse; no user-serviceable parts are inside.
- Turn off the Transmitter or Receiver and disconnect all test leads before replacing the battery.
- Use only a 9V battery, properly installed in the case, to operate the Transmitter and Receiver.
- If this equipment is used in a manner not specified by the manufacturer, the protection provided by the equipment may be impaired.

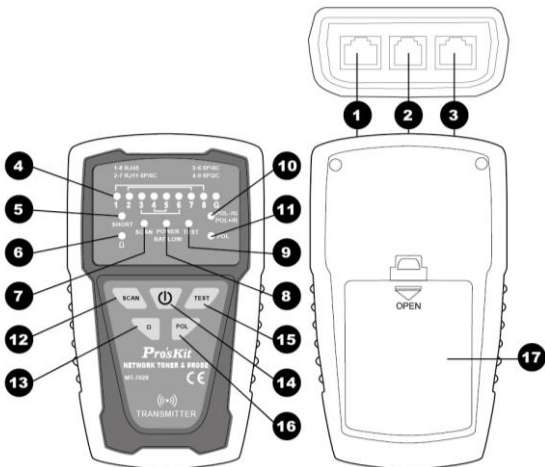


### Caution

- Avoid touching the Receiver tip to patch panel connections and using the tip to dig into cable bundles. Doing so regularly may damage the Receiver tip over time.
- To avoid unreliable test results, replace the battery as soon as the low battery indication appears.

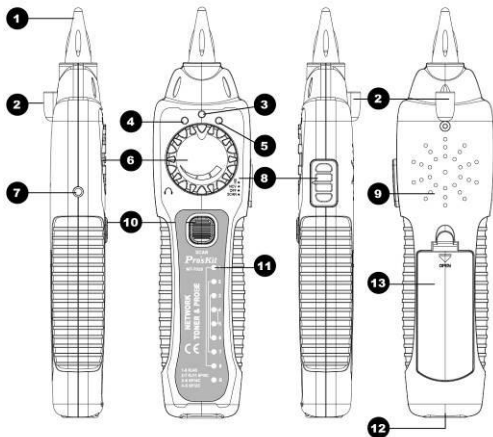
## INTRODUCTION

### MT-7028 Transmitter :



MT-7028 Transmitter Diagram

1. Test socket
2. RJ11(6 pin) Scan connectors
3. RJ45 Scan connectors
4. 「1-8、G」 Cable map & Shielded indication
5. 「SHORT」 Continuity test indication
6. 「 $\Omega$ 」 Continuity function indicator
7. 「SCAN」 Locating and Isolating cables function indicator
8. 「POWER/BAT LOW」 Power ON/OFF & Battery low indicator
9. 「TEST」 Cable map & Shielded function indicator
10. 「POL- /G、POL+ /R」 Phone line polarity indication
11. 「POL」 Phone line polarity function indicator
12. 「SCAN」 Isolating cables function push button
13. 「 $\Omega$ 」 Continuity function push button
14. 「POWER/BAT LOW」 Power ON/OFF push button
15. 「TEST」 Cable map & Shielded function push button
16. 「POL」 Phone line polarity function push button
17. Battery cover



**MT-7028 Receiver Diagram**

1. **Probe**
2. **LED illumination**
3. **Power ON/OFF indicator**
4. **NCV indicator**
5. **Signal status indicator**
6. **Volume control**
7. **Earphone jack  $\Phi 3.5\text{mm}$**
8. **Function selection**
9. **Speaker**
10. 「SCAN」 **Locating and Isolating cables function push button**
11. 「1-8、G」 **Cable map & Shielded indication**
12. **RJ45(8 pin)/RJ11(6/4/2 pin) Compatible connectors**
13. **Battery cover.**

## OPERATION

### **1. Locating and Isolating Cables :**

Using MT-7028 Networking Tone & Probe kit to locate and insolate cables using the 1KHz analog, also trace twisted wires (UTP, Cat 5, Cat 5e, Cat 6) and telephone line. Use with a patch cord for RJ45 / RJ11. Coaxial cable, general cable and various wiring boards can be tested by using with alligator clip cable.



## Warning

- It is not intended to be used on live wires with a DC power source (e.g., live telephone lines), nor will it work on wire pairs that are carrying AC signals.
- Use RJ45 SCAN compatible connector for RJ45 cable tracing. Use RJ11(6 pin) connector for RJ11(6P/6C/4C/2C) cable tracing. Use RJ11 (6 pin) connector and work with alligator clips for coaxial cable, general cable and various wiring boards.



## Caution


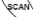

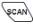
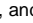
- To locate and isolate cables using the 1KHz analog toning mode, please avoid interference sources like electronic devices with adapter, induction coil, and motors nearby. White noise from MT-7028 Receiver is normal when your Transmitter is near any of the interference. If you cannot locate the signal on 2-conductor cables, the cable may be shorted. Please keep away from the interference sources or turn off the electronic devices.
- The position on the MT-7028 Transmitter and Receiver lets you use the Receiver to trace using an analog 1KHz tone. When using the Receiver to isolate the tone source in the cable bundle or at the patch panel, the signal might be interfered with or decreased and the signal will not pass through metal tubes.
- It is not necessary to touch the Receiver's tip to the cabling or patch panel when searching for the Transmitter's signal.
- Make sure the black alligator clip of the Transmitter is connected to the ground before use.
- When using the MT-7028 networking tone and probe kit with earphone to locate and isolate cables, please keep probe tip away from earphone to avoid the interference of resonance effects

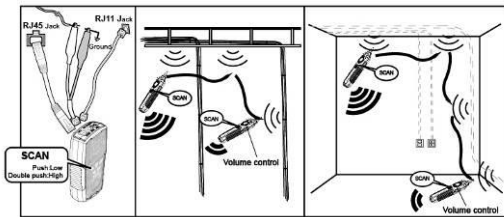
MT-7028 Transmitter provides two 1 KHz analog toning modes, Hi/Low two-note tone, for location and isolating cables. Both toning signals are available at all connectors on the Transmitter.

## 2.Locating Individual Wire Pairs with the MT-7028 Analog Function

To locate cables, do the following steps (Figure 1) :

- 1) Connect the black alligator clip of the Transmitter to the ground, and then connect the red clip to a jack or punch-down block as shown in Figure 1.

- 2) As the Figure 1 shown, when push , the indicator of "POWER/ BAT LOW" will light up and turn on the power. Push  button for cable tracing. When the RED indicator flickers, the low-tone cable tracing is working. Push  button again to feature the high-tone cable tracing, the RED indicator will flicker faster. Push  button again, the RED indicator will stop and standby for next operation.
- 3) As the figure 1 shown, place the receiver function switch at "scan" or "LED", and push "" on receiver to operate cable tracing function. The tracing sound will be output from speaker. When put on earphone, there will be no sound from speaker, but from the earphone.
- 4) Use the Receiver to find the general location of the tone at a cable rack, patch panel, or behind a wall. In locating mode, the Receiver's signal status indicator LED will light up, the LED brightness depends on signal strength, if the indicator does not light up, there is no signal.
- 5) Adjust the volume control on the receiver to locate the wire pairs from 10cm to 30cm.



**Figure 1 Locating cables**

### 3. Isolating Cables

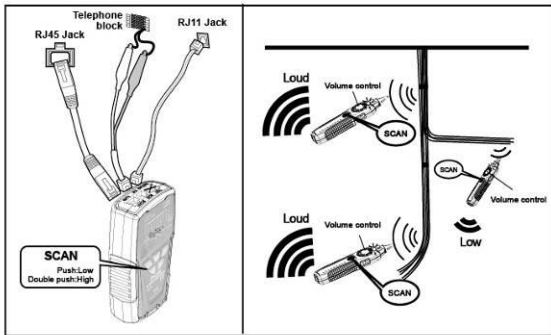
To isolate the tone source in the cable bundle or at the patch panel, do the steps as described in the previous section of "Locating Cables".

- 1) Strip the cable's shield to a length of between 30 to 45 centimeters and divide the wires into two parts. Do the wire separation to isolate the cables to verify the signal of each part. If the beeper gets louder and LED lights up, you have located the position you are looking for.

- 2) Adjust the volume control from high low to locate the wire that more difficult to be identified. Narrowing the length from 30 to 10 centimeters will help to more accurately identify the wire pairs.
- 3) Repeat the steps of 6 and 7 to isolate the bundled cables.

**Caution**


- If you cannot locate the MT-7028 signal on 2-conductor cables, the cable may be shorted or opened. Use the Continuity Test (Fig. 2) to check for shorts or opens on coax and non-terminated cables.



**Figure 2 Isolating Cable**

**4. Cable Map Testing :**

**Caution**

- When use the product for RJ45 or RJ11 cable mapping, please only plug in the cable to the RJ45/RJ11 “TEST socket” on the transmitter. Do not use RJ45 SCAN or RJ11 SCAN socket.
  - You can use the MT-7028 Transmitter or Receiver to validate the cable map on RJ45/RJ11 by RJ45/RJ11 compatible connector on transmitter. The cable map function finds the most common wiring faults on twisted pair cabling: shorts, opens, and crossed pairs.
- 1) Connect the MT-7028 Transmitter or Receiver to RJ45/ RJ11 jacks.
  - 2) Push “

7



indicator flickers slowly, the slow speed scan is working. Push the “TEST” button again, the green LED indicator flickers faster and the fast speed scan will be operated. Push the “TEST” button again; the product will be standby for next operation.



### Caution

- Each LED that corresponding to an active pin flashes briefly, and then should light for about 1 second. For fast scan cable mapping, the light will be flicker about 0.5 second, from 1 to 8, G. If the cable is open, the LED indicator will not light up.
- Before cable map testing, repeat the procedures of “Locating Cables” on page 7 to identify the correct connector or wires on the other end of the cable if necessary.

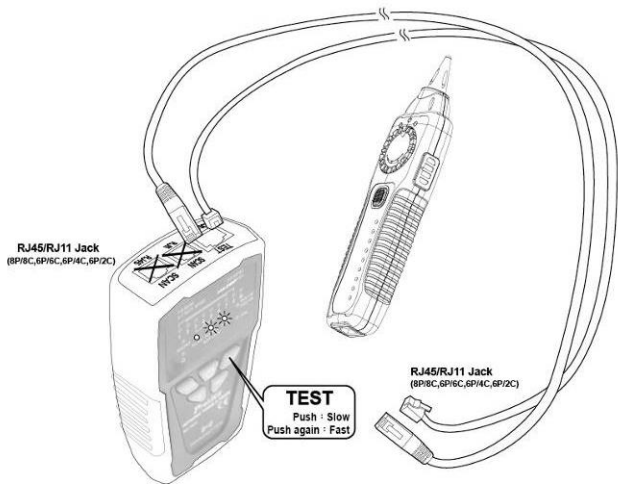


Figure 5 Validating Cable Maps

### Figure 3 Validating Cable Maps

- 3) Different connectors generate different LED and sound indications as shown in Figure 4.
- **RJ45(8P/8C) LED indication** : MT-7028 Transmitter (from 1-8 seconds in sequence) is synchronized with the MT-7028 Receiver cable map.

- **RJ11(6P/6C, 6P/4C, 6P/2C) LED indication : MT-7028**  
Transmitter cable map, 6P/6C each second from 2 to 7 in sequence, 6P/4C each second from 3 to 6 in sequence, 6P/2C each second from 4 to 5 in sequence is synchronized with the MT-7028 Receiver cable map. If it encounters an empty line, the indication will cease.

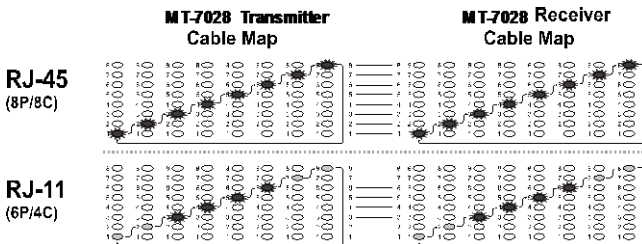
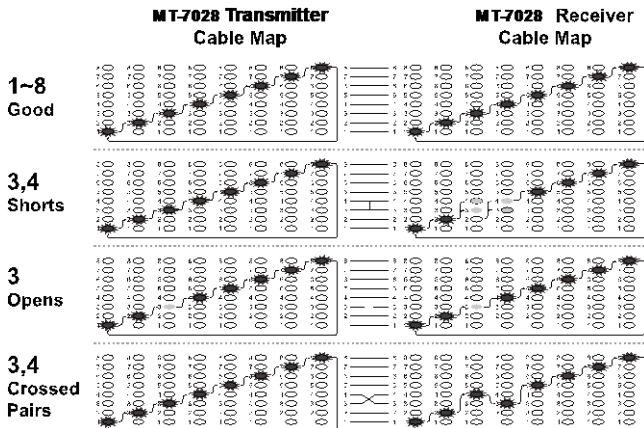


Figure 4 Different Connector's Cable Map

- 4) You can use the MT-7028 Transmitter and Receiver to validate the cable map on RJ11 and RJ45 connectors. The cable map function finds the most common wiring status on twisted pair cabling: good, shorts, opens, and crossed pairs as shown in Figure 5
  - **Good wiring:** Each LED that corresponding to an active pin flashes briefly and in a stairway order.
  - **Shorts:** If two LEDs turn on for 1 second at the same time, those two pins are shorted together. If more than 2 wires are shorted together, the LEDs for the shorted pins indicate opens.
  - **Opens:** If an LED flashes briefly, then no LEDs turn on, that pin is open.
  - **Crossed pairs:** If one LED flashes briefly, then another LED lights for one second, the wire for the first LED is crossed pairs to the pin for the second LED.
- 5) Each LED corresponds to an active pin flashes briefly, it should light for about 1 second. The brief flash shows which LED is next in the sequence.



**Figure 5 good wiring, shorts, opens, crossed pairs**

### 5. Live telecommunication equipment and router test:



#### **Caution !**

The feature can only be used for testing cable continuity and opens, cannot be used for cross over and short.

- 1) Connect MT-7028 transmitter and working router by RJ45 cable map test socket.
- 2) Push button to turn on the power, "POWER/ BAT LOW" indicator will light up. Push button on transmitter to feature cable map function. When the TEST indication green LED flickers slowly, the slow cable mapping is working and the red cable map LED starts scanning. Push button again, the TEST indication green LED twinkles fast, the fast cable mapping is working and the cable map LED starts scanning. Push the button again, the TEST green LED light will be off and the product will be standby for next operation.
- 3) When the "1~8, G" LED indicator on MT-7028 transmitter lighted one by one, the cable (1~8, G) is good. If any of LED indicators is not lighted, the cable is damaged.


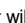
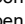
## 6.Coaxial Cable & Continuity Test:



### **DANGER :**



Before testing, please be sure the power of receiver is **OFF**.

To validate cable shield during cable map tests, do the following as:

- 1) Connect the Transmitter to the circuit. Connect the test leads to the coaxial cable to be tested.
- 2) Push “” button to turn on the power, “POWER/ BAT LOW” indicator will light up. Push “” button on transmitter for short/ open function, the green LED indicator lights up and the short/ open testing is working. Push “” again, the green LED lights off and the product is standby for next operation.
- 3) When “SHORT” red LED indicator lights up, the cable is connected. (the resistance of cable is less than 300Ω). If the indicator is off, the cable is short or resistance of the cable is over 300Ω .

## 7.Validating Telephone Service and Polarity :

Please follow the following steps to check the polarity of telephone lines:

- 1) Connect the Transmitter to the circuit. Connect the test leads to the telephone punch-down blocks, RJ11, and RJ45 jacks.
- 2) Push  button to turn on the power, “POWER/ BAT LOW” indicator will light up. Then push  to operate the polarity indication feature and the LED indicator will light up. Push the button again to get the product back to standby status.
- 3) 「POL -/G · POL +/R」 LED indicator is dual color (Red/ Green). The LED indicator of the Transmitter indicates the status as below:
  - **Red light** : Red test lead at positive (+) polarity ; Black test lead at negative (-) polarity.
  - **Green light** : Red test lead at negative (-) polarity ; Black test lead at positive (+) polarity.
  - **No Light** : Non service or line fault.

## 8.NCV (Non-Contact Voltage) Testing :



### **Caution**

The feature can be used before locating, isolating, cable mapping to identify if the tested cable is with AC voltage. It can not only help to ensure the safety of user and avoid possible electric shock or personal injury, but also protect the product from being damaged by AC power.

- 1) Turn the switch to “NCV”, the function is started when the power indicator is on.

- 2) When doing the NCV testing, place the probe of MT-7028 receiver to the tested cable, the NCV indicator twinkles fast and the buzzer sounds, which means the tested object has AC 90~1000V. If there is no response of indicator and no buzzer sounds, it means the tested object has AC power less than 90V or there is no AC power on it.

## 9. Maintenance & Trouble Shooting :



### Warning

Turn off the Transmitter or Receiver and disconnect all test leads before replacing the battery.



### Caution

To avoid damaging the case, do not use solvents or abrasive cleansers. Clean the case with a soft cloth dampened with water or a mild soap solution.

## 10. Trouble Shooting

Possible Problems	Trouble Shooting
The signal from Transmitter can not be detected by Receiver	Shortage of battery power: Check the battery on both Transmitter and Receiver. If the battery voltage is less than 6.5V, please replace with a new battery.
	Make sure the switch position on receiver is "SCAN" or "LED". The SCAN function will not work if the switch is at another position.
	Shielded STP cable.
	Device damaged: please return the product to the place you purchased for maintenance.
No signal received from Transmitter on Live telecommunication device testing	There might be conflict between the signal from telephone office and the signal from Transmitter. Please turn off the telephone exchange device.
Incorrect cable mapping result	LED indicator broken: please return the product to the place you purchased for maintenance.
	Improper connection of networking or telephone cables: please reconnect the cables to RJ45/ RJ11 compatible connectors.
NCV not work	Switch at SCAN position, and push "SCAN " button. If the indicator does not light up, please replace with a new battery
Others	Device damaged: please return the product to the place you purchased for maintenance.

# MT-7028 音頻網路測試器

## 使用說明書

感謝您購買和使用 **Pro'sKit MT-7028 音頻網路測試器**，使用本儀器前請仔細閱讀說明書，閱讀後請妥善保存，以備日後查閱。

### 特點概述：

**MT-7028音頻網路測試器**能定位、分離、導通、查找RJ45網路線(UTP、Cat 5、Cat 5 e、Cat 6)、RJ11/12電話線，且能使用戶確認並診斷電纜，佈線的通路、短路、斷路、交叉...等現象，並確認接線順序線號(線對表(Cable Map)和電話線的接線極性。提供視覺和音頻信號強度指示，使測試距離與精確度更容易精準掌握、測試一般電線接觸不良所產生的阻抗過大(>300Ω)的問題。**MT-7028音頻網路測試器**提供完整的配件，讓用戶可以輕易的檢測RJ45插座、RJ45連接線、RJ11插座、RJ11連接線，並具有鱷魚夾，可應用於測試同軸電纜線、一般電線和電信/網路接線板。

適用於電信、網路、數據通信、有線電視、室內/外配線...等專業的裝配、查線、維修工程人員使用。

### 產品規格：

MT-7028 音頻產生器 規格	
音頻發射頻率	1kHz
音頻最大測試距離	3 公里
線序/故障最大測試距離	300 米
最大工作電流	≤65mA
音色	高/低 雙音調
可測試連接埠	TEST 插座: 提供 RJ45(8 pin)/RJ11(6 pin)線對測試 RJ45 SCAN 插座: 提供 RJ45(8pin)音頻尋線使用 RJ11 SCAN 插座: 提供 RJ11(6P/6C/4C/2C)音頻尋線使用。
對線適用電纜線	RJ45 網路線 Cat 5、5e、6(UTP/STP)、RJ11/12 電話線 Cat 3 (6P/2C/4C/6C)
尋線適用電纜線	RJ45 網路線 Cat 5、5e、6(UTP)、RJ11/12 電話線 Cat 3 (6P/2C/4C/6C)
功能選擇	5 個按式開關 (電源、尋線 SCAN、線對 TEST、短路/導通、電話正/負極性)

短路/導通測試	1 個 LED ( $\leq 300\Omega$ )，同軸電纜線和一般單芯/多芯絞線用鱷魚夾線測試
輸出信號電壓	10Vp-p
線序/故障指示	8 個 LED，快/慢雙速測試
網路線 屏蔽/非屏蔽指示	1 個 LED
電話線 正/負極性指示	1 個雙色 LED
電信設備和路由器活電測試	有
電壓保護	直流 48V
自動關機	約 1 小時
電池低壓指示	6.5V (電源指示燈閃爍)
電池	DC 9.0V (NEDA 1604/ 6F22 DC9V x1pcs)
外觀尺寸 (長×寬×高)	138×80×35 mm
重量	140 公克
<b>MT-7028 接收器 規格</b>	
音頻接收頻率	1kHz
最大工作電流	$\leq 90\text{mA}$
可測試連接埠	RJ45(8 pin)/RJ11(6 pin) 共用插座
功能選擇	4 段滑動開關(非接觸驗電、關機、LED 照明、尋線查找)
耳機座	1 個
信號強弱指示	1 個 LED & 蜂鳴器
線序/故障指示	8 個 LED
網路線 屏蔽/非屏蔽指示	1 個 LED
非接觸驗電(NCV)指示	1 個 LED (交流 90~1000V)
工作照明	1 個 LED
電源指示	1 個 LED
電池	DC 9.0V (NEDA 1604/ 6F22 DC9V x1pcs)
外觀尺寸 (長×寬×高)	203×50×32 mm
重量	100 公克

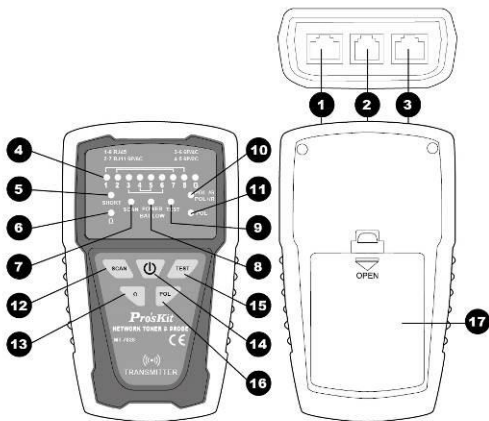


### 警告

- 不得在超過 DC 48V 或任何帶交流電壓的帶電電路上使用本產品。
- 不得使用已破損的 MT-7028 音頻網路測試器測試導線。使用以前，請檢查機殼和測試導線是否有破損。
- 在測試電話電路時，將不使用的測試導線和連接器從 MT-7028 音頻網路測試器上斷開連接。
- 除非要更換電池或保險絲，否則不得打開機殼；其中沒有任何用戶可維修的零件。

- 在更換電池以前，請關機！並斷開所有測試導線的連接。
- 僅使用9V電池，正確安裝在機殼內以提供電源。
- 如果不遵照指定方式使用本設備，則可能影響本產品提供的保護。

## 1. MT-7028 部件名稱



### MT-7028 音頻產生器 外觀圖

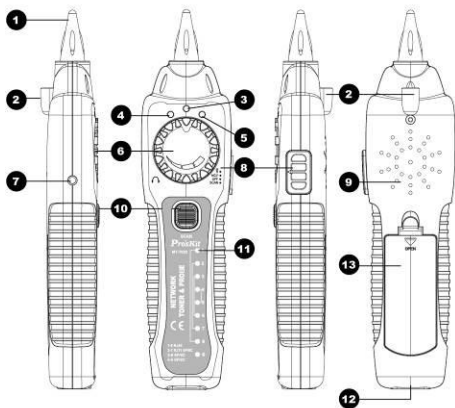
1. RJ45(8 pin)/RJ11(6/4/2 pin)對線測試插座
2. RJ11(6 pin)Scan插座
3. RJ45Scan插座
4. 「1-8、G」測試結果指示燈
5. 「SHORT」短路測試結果指示燈
6. 「Ω」短路/導通功能指示燈
7. 「SCAN」尋線功能指示燈
8. 「POWER/BAT LOW」電源指示燈
9. 「TEST」線序/故障功能指示燈
10. 「POL-/G，POL+/R」電話極性測試結果指示燈
11. 「POL」電話極性功能指示燈
12. 「SCAN」尋線功能鍵
13. 「Ω」短路/導通功能鍵
14. 「POWER」電源開/關鍵



15. 「TEST」線序/故障功能鍵

16. 「POL」電話極性功能鍵

17. 電池蓋。



**MT-7028 接收器 外觀圖**

1. 音頻信號探頭

2. LED工作照明燈

3. 電源指示燈

4. 非接觸驗電(NCV)指示燈

5. 信號強弱指示燈

6. 音量旋扭

7.  $\varnothing 3.5\text{mm}$ 耳機座

8. 4段功能開關

9. 喇叭

10. 「SCAN」尋線功能鍵

11. 「1~8、G」測試結果指示燈

12. RJ45(8 pin)/RJ11(6/4/2 pin)測試插座

13. 電池蓋。

## 2. 使用1KHz音訊信號查找、分離電線：

使用MT-7028音訊網路測試器的1KHz查找線路時，能定位、分離、查找雙絞線(UTP、Cat 5、Cat 5e、Cat 6)、電話線(Cat 3)，搭配跳接線可以測試RJ45/RJ11插座的接線，搭配鱷魚夾連接線，可測試同軸電纜線、一般電線和各種接線板。



### 警告

- 使用MT-7028音訊網路測試器不可以使用在帶電的線路上，操作前應確實關閉所有電源。
- RJ45音訊尋線時，請使用RJ45 SCAN插座。RJ11(6P/6C/4C/2C)音訊尋線時，請使用RJ11 SCAN插座。使用RJ11(6 pin)插座，搭配鱷魚夾連接線，可測試同軸電纜線、一般電線和各種接線板。



### 注意




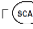
- 使用MT-7028音訊網路測試器的1KHz查找線路時，應儘量遠離或關閉干擾源。如具有變壓器、電感、線圈、馬達的電器設備等；如果接近干擾源，而MT-7028接收器產生接收的雜訊聲音，屬於正常狀態；但如果影響操作判斷時，應予遠離或關閉干擾源。
- MT-7028音訊網路測試器的1KHz音訊信號，通過電路機板或分岔線路或整捆電線(絞線)時，會有相互感應傳遞和信號強度的衰減的現象。且無法穿透金屬配線管。
- 在搜索MT-7028音訊產生器的信號時，無需將MT-7028接收器的探頭觸及線纜或接線板。
- 在使用MT-7028音訊網路測試器前，應確實檢查MT-7028音訊發射器的黑色鱷魚夾，確實接地妥善。
- 在使用MT-7028音訊網路測試器耳機進行查線時，請將探頭遠離耳機線，避免產生共鳴影響查線效果。

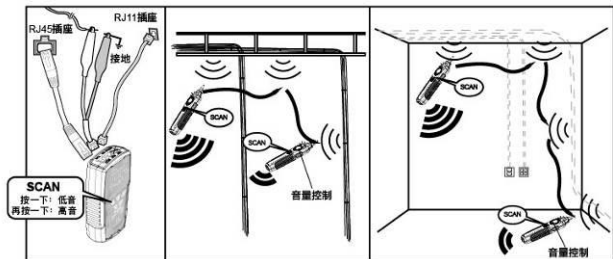
MT-7028音訊產生器所產生1KHz的音訊信號，具有雙音調高/低兩種音色可以選擇，並可以配合所有連接介面和配件，提供這兩種高/低音訊信號。

### 查找電線

當你需要查找電線佈線位置或查找電線斷路位置時，請依照下列步驟(如圖一)進行：

- 1) 如(圖一)所示，先將MT-7028音訊產生器 的黑色鱷魚夾確實接地，再將紅色鱷魚夾與待測線路的連接線或插座或接線板連接妥善。

- 2) 如(圖一)所示，按下「」電源開/關鍵，「POWER/BAT LOW」紅色電源指示燈亮起，打開電源。再按下「」尋線功能鍵後，當「SCAN」尋線功能紅色指示燈閃爍時，表示低音調尋線測試的功能啟動。再按一下此功能鍵後，當「SCAN」尋線功能紅色指示燈快速閃爍時，表示高音調尋線測試的功能啟動。再按一下此功能鍵，「SCAN」尋線功能紅色指示燈熄滅後，表示回到待機狀態。
- 3) 如(圖一)所示，將接收器4段功能開關撥到SCAN或LED檔，按下接收器中間的「」尋線功能鍵時，紅色指示燈亮起，表示尋線測試的功能啟動。當放開「」尋線功能鍵時，紅色指示燈熄滅後，表示尋線測試的功能關閉。未插上耳機前喇叭有聲音輸出，插上耳機後則喇叭無聲音輸出，聲音由耳機輸出。
- 4) 使用MT-7028接收器 將音量旋鈕轉到最大，沿著塑膠配線管、走線架、接線板或牆壁，查找佈線線路的大致位置。接近時，接收器的喇叭響起音訊信號聲音，喇叭聲音越大，表示信號越強；同時信號強弱指示燈LED亮紅色，指示燈明暗程度會隨信號強度改變，當此指示燈越亮，表示信號越強。
- 5) 旋轉音量旋鈕，控制音量由大到小，則可以改變查找電線的靈敏度，將搜尋位置由30cm縮小到10cm以內，精確查找到電線。



(圖一) 查找電線

## 分離電線

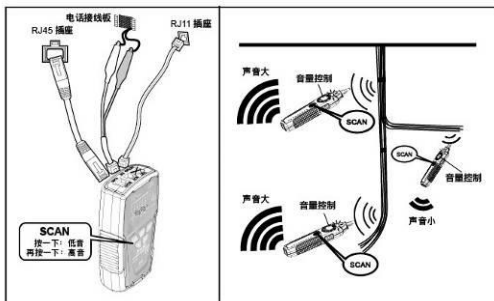
當你需要尋找捆綁在一起的電纜其中一條電線，或多芯電纜中的其中一條芯線時，請依照前面查找電線的步驟(1.)到(4.)進行(如圖一)，然後再依照下列步驟(如圖二)繼續進行：

- 1) 將電纜撥開約30~45cm長，採用二分法，將電纜的芯線概略分為左右各一半，使用MT-7028接收器尋找目標芯線的位置，喇叭聲音較大和LED燈比較亮(信號較強)的一邊，代表其中包含了你所要尋找的目標芯線。
- 2) 旋轉音量旋鈕，控制音量由大到小，則可以改變查找電線的靈敏度，將搜尋位置由30cm縮小到10cm以內，精確找到目標芯線的位置。
- 3) 重複前面二分法的(1)、(2)步驟，則可輕易找到目標芯線。



### 注意

如果不能正確分辨兩導線電纜上的音訊信號，可能電纜已短路或斷路。請使用連通測試，檢查接電纜是否短路或斷路。



(圖二) 分離電線

### 3 · 線對表(Cable Map)測試：


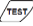
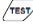
可以使用MT-7028音訊產生器“TEST”兩用插座，配合MT-7028接收器RJ45/RJ11兩用插座，測試RJ45網路線和RJ11電話線的線對表(Cable Map)。搭配跳接線可以測試RJ45/RJ11插座的線對表(Cable Map)。線對表(Cable Map)的功能可查找各種電纜布線上常見的：通路、短路、斷路、交叉的情況。

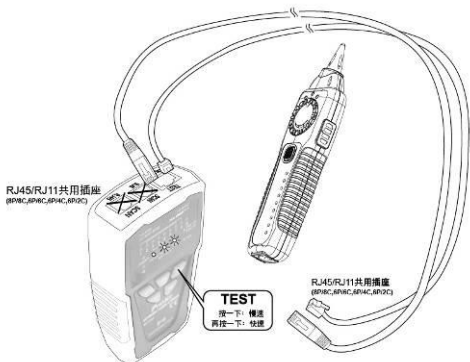


### 注意!

進行RJ45或RJ11線對表(Cable Map)測試時，RJ45網路線/RJ11電話線只能插入音訊產生器的“TEST”兩用插座，不可使用RJ45 SCAN或RJ11 SCAN插座。

- 1) 將待測線插入音訊產生器RJ45/RJ11 TEST插座，另一段插入接收器插座。

- 2) 按下「」電源開/關鍵，「POWER/BAT LOW」紅色電源指示燈亮起，打開電源。再按下MT-7028音訊產生器的「」線序/故障功能鍵後，當「TEST」線序/故障功能綠色指示燈慢速閃爍時，表示慢速線序/故障測試的功能啟動，線對表(Cable Map)的綠色LED開始慢速掃描顯示。再按一下「」線序/故障功能鍵後，當「TEST」線序/故障功能綠色指示燈快速閃爍時，表示快速線序/故障測試的功能啟動，線對表(Cable Map)的綠色LED開始快速掃描顯示。再按一下此功能鍵後，當「TEST」線序/故障功能綠色指示燈熄滅後，表示回到待機狀態。



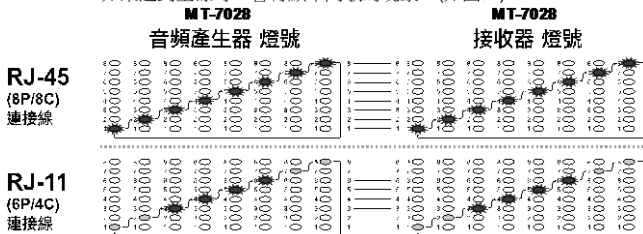
(圖三) 線對表(Cable Map)測試



**注意**

- 線對表(Cable Map)測試時，LED慢速掃描顯示間隔約1秒鐘，LED快速掃描顯示間隔約0.5秒鐘，每次由1~8、G順序掃描顯示。如果遇到2條空線時，會有間歇2秒的現象，依此類推。
  - 線對表(Cable Map)測試前，如有必要，可依前面所述方式，使用“**查找電線**”的方法，先進行查找另一端正確的連接器或連接線。
- 3) MT-7028音訊產生器和MT-7028接收器上的LED輸出，不同線材的線對表(Cable Map)顯示方式如下：
- RJ45(8P/8C)的LED燈號顯示：MT-7028音訊產生器的線對表(Cable Map)LED，每1秒由1~8、G的順序，逐步顯示；並依接線順序，對應MT-7028接收器上的線對表(Cable Map)LED同步顯示。(如圖四)

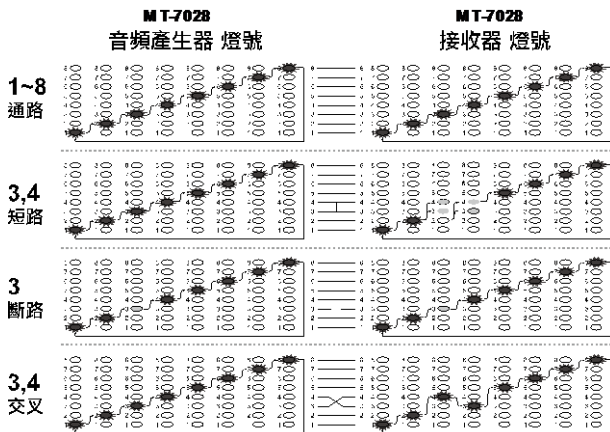
- RJ11(6P/6C、6P/4C、6P/2C)的LED燈號顯示：MT-7028音訊產生器的線對表(Cable Map)LED，6P/6C每1秒由2~7的順序；6P/4C每1秒由3~6的順序；6P/2C每1秒由4~5的順序)，逐步顯示；並依接線順序，對應MT-7028接收器上的線對表(Cable Map)LED同步顯示。如果遇到空線時，會有顯示間歇的現象。(如圖四)



(圖四) 不同線材的線對表(Cable Map)

MT-7028音訊產生器和MT-7028接收器上的線對表(Cable Map)LED輸出，通路、短路、斷路、交叉表示的方式如下：

- 「通路」的LED燈號顯示：MT-7028音訊產生器的LED，第1~8、G個LED亮燈，對應MT-7028接收器上的LED，第1~8、G個LED同步顯示。(如圖五)
  - 「短路」的LED燈號顯示：MT-7028音訊產生器的LED，第3個和第4個LED依序亮燈，對應MT-7028接收器上的LED，第3個和第4個LED同時點亮，但亮度較暗。(如圖五) (若同時短路跳線超過3根，因電流供電不足，對應接收器上的LED亮度會更暗或不亮)
  - 「斷路」的LED燈號顯示：MT-7028音訊產生器的LED，第3個LED不亮，對應MT-7028接收器上的LED，第3個LED不亮。(如圖五)
  - 「交叉」的LED燈號顯示：MT-7028音訊產生器的LED，第3個LED亮燈，對應MT-7028接收器上的LED，第4個LED同步顯示；MT-7028音訊產生器的LED，第4個LED亮燈，對應MT-7028接收器上的LED，第3個LED同步顯示。(如圖五)
- 4) 依照MT-7028音訊產生器和MT-7028接收器上的線對表(Cable Map)LED輸出，反復測試；並以LED顯示的線對表(Cable Map)確認接線順序的正確性。






(圖五)通路、短路、斷路、交叉

#### 4 · 工作中的網路檢測：



注意：

此測試方法只能測試網線路通斷，不能檢測交叉或短路。


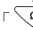
- 1) 將MT-7028音訊產生器妥善連接RJ45(8P/8C)網路線或插座、另一端連接在正在工作的網路交換機上。
- 2) 按下「」電源開/關鍵，「POWER/BAT LOW」紅色電源指示燈亮起，打開電源。再按下MT-7028音訊產生器的「」線序/故障功能鍵後，當「TEST」線序/故障功能綠色指示燈慢速閃爍時，表示慢速線序/故障測試的功能啟動，線對表(Cable Map)的綠色LED開始慢速掃描顯示。再按一下「」線序/故障功能鍵後，當「TEST」線序/故障功能綠色指示燈快速閃爍時，表示快速線序/故障測試的功能啟動，線對表(Cable Map)的綠色LED開始快速掃描顯示。再按一下此功能鍵後，當「TEST」線序/故障功能綠色指示燈熄滅後，表示回到待機狀態。
- 3) 當MT-7028音訊產生器上的「1~8、G」測試結果指示燈，按先後順序逐一點亮時，表示網路線1~8、G全部連通，如有燈號未亮，代表線路故障。

## 5. 同軸電纜線和電線連通測試：




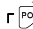
測試前，應先確認並關閉電源。

當你需要確認同軸電纜線或電線連通是否有接觸不良時，請依照下列步驟進行：

- 1) 先將MT-7028音訊產生器的黑色鱷魚夾，確實與待測電纜的一端接頭、金屬部分連接妥善，再將紅色鱷魚夾，與待測電纜的另一端接頭、金屬部分連接妥善。
- 2) 按下「」電源開/關鍵，「POWER/BAT LOW」紅色電源指示燈亮起，打開電源。再按下MT-7028音訊產生器的「」短路/導通功能鍵後，當「Ω」短路/導通功能綠色指示燈亮起時，表示短路/導通測試的功能啟動。再按一下此功能鍵後，當「Ω」短路/導通功能綠色指示燈熄滅後，表示回到待機狀態。
- 3) 當「SHORT」短路測試結果紅色指示燈亮起時，表示連通(阻抗 <math><300\Omega</math>)。當指示燈不亮時，表示無連通，或是遮蔽不良和連通不良(阻抗 >math>>300\Omega</math>)。

## 6. 電話正負極性測試：

當你需要確認電話線路的正負極性時，請依照下列步驟進行：

- 1) 先將MT-7028音訊產生器的紅、黑色鱷魚夾，分別與待測電話線路的連接線或插座或接線板的兩端連接妥善。
- 2) 按下「」電源開/關鍵，「POWER/BAT LOW」紅色電源指示燈亮起，打開電源。再按下MT-7028音訊產生器的「」電話極性功能鍵後，當「POL」電話極性功能指示燈亮起時，表示電話正/負極性測試的功能啟動。再按一下此功能鍵後，當「POL」電話極性功能指示燈熄滅後，表示回到待機狀態。
- 3) 「POL-/G, POL+/R」電話極性測試結果指示燈，是一個紅/綠雙色LED指示燈：
  - 紅色指示燈亮起時，代表紅色鱷魚夾端為電話局線的“+”極，黑色鱷魚夾端為電話局線的“-”極。
  - 綠色指示燈亮起時，代表紅色鱷魚夾端為電話局線的“-”極，黑色鱷魚夾端為電話局線的“+”極。
  - 當指示燈不亮時，代表電話線路無供電或是線路故障。



## 7 · NCV 非接觸驗電：



注意：

此項測試功能可以被廣泛應用在定位、分離、導通、查找、線對表(Cable Map)測試前，確認被測線路中是否有交流電壓，除可確保人身安全。避免觸電外，也可以保護MT-7028音訊網路測試器，不被交流電壓損壞！

- 1) 將4段功能選擇開關，撥切至「NCV」檔位後，電源指示燈亮起，表示「NCV」非接觸驗電測試的功能啟動。
- 2) 將MT-7028接收器的探頭靠近被測物，進行非接觸驗電(NCV)測試，當非接觸驗電(NCV)指示燈快速閃爍、同時蜂鳴警報時，代表被測物具有90~1000V交流電壓。當指示燈不亮、無蜂鳴警報時，代表被測物的交流電壓低於90V或是沒有交流電壓。

## 8 · 維護與簡易故障排除：

維護：



警告

為避免可能發生的電擊或人體傷害，維護前，應關機並斷開所有測試導線的連接。



小心

為避免損壞機殼，不要使用溶劑或磨蝕性去污粉。

用柔性軟布沾水後擰乾、或柔性軟布沾柔性皂液後擰乾，輕輕的擦拭機殼。

### 簡易故障排除：

故障	排除
接收器無法探測音頻產生器的信號	電池電力不足：檢查音頻產生器和接收器的電池，如電壓低於 6.5V，需更換電池。
	接收器檔位不正確：請撥至 SCAN 檔或 LED 照明檔，其它檔位不能探測 SCAN 信號。
	帶遮罩的 STP 網線。
	儀器故障：返回經銷商維修。
活電下測試電話局線，接收器無法探測音頻產生器的信號	可能是電話局線信號頻率，與本音頻產生器的信號衝突，請關閉電話交換機。

線序/故障測試結果 顯示不正確	LED 指示燈損壞：返回經銷商維修 網路線或電話線接觸不良：請將網路線或電話線，重新插入 RJ45/RJ11 共用插座。
NCV 無法測試	將開關撥到 <b>SCAN</b> 檔，按 <b>SCAN</b> 鍵，如 <b>SCAN</b> 指示燈閃亮明顯，則表明電池有電，如微弱閃亮或不亮，則電池電量低，需更換電池
其它功能異常	儀器故障：返回經銷商維修

# MT-7028 音频网络测试器

## 使用说明书

感谢您购买和使用 **Pro'sKit MT-7028 音频网络测试器**，使用本仪器前请仔细阅读说明书，阅读后请妥善保存，以备日后查阅。

### 特点概述：

**MT-7028音频网络测试器**--能定位、分离、导通、查找RJ45网络线(UTP、Cat 5、Cat 5 e、Cat 6)、RJ11/12电话线，且能使用户确认并诊断电缆，布线的通路、短路、断路、交叉...等现象，并确认接线顺序线号(线对表(Cable Map)和电话线的接线极性。还提供视觉和音频信号强度指示，使测试距离与精确度更容易精准掌握和测试一般电线接触不良所产生的阻抗过大(>300Ω)的问题。**MT-7028音频网络测试器**--提供了完整的配件，让用户可以轻易的检测RJ45插座、RJ45连接线、RJ11插座、RJ11连接线，并具有鳄鱼夹，可应用于测试同轴电缆线、一般电线和电信/网络接线板。

适用于电信、网络、数据通信、有线电视、室内外配线...等专业的装配、查线、维修工程人员使用。

### 产品规格：

MT-7028 音频产生器 规格	
音频发射频率	1kHz
音频最大测试距离	3 公里
线序/故障最大测试距离	300 米
最大工作电流	≤65mA
音色	高/低 双音调
可测试连接阜	TEST 插座: 提供 RJ45(8 pin)/RJ11(6 pin)线对测试 RJ45 SCAN 插座: 提供 RJ45(8pin)音频寻线使用 RJ11 SCAN 插座: 提供 RJ11(6P/6C/4C/2C)音频寻线使用。
对线适用电缆线	RJ45 网络线 Cat 5、5e、6(UTP/STP)、RJ11/12 电话线 Cat 3 (6P/2C/4C/6C)
寻线适用电缆线	RJ45 网络线 Cat 5、5e、6(UTP)、RJ11/12 电话线 Cat 3 (6P/2C/4C/6C)
功能选择	5 个按式开关 (电源、寻线 SCAN、线对 TEST、短路/导通、电话正/负极性)

短路/导通测试	1 个 LED ( $\leq 300\Omega$ ), 同轴电缆线和一般单芯/多芯绞线用鳄鱼夹线测试
输出信号电压	10Vp-p
线序/故障指示	8 个 LED, 快/慢双速测试
网络线 屏蔽/非屏蔽指示	1 个 LED
电话线 正/负极性指示	1 个双色 LED
电信设备和路由器活电测试	有
电压保护	直流 48V
自动关机	约 1 小时
电池低压指示	6.5V (电源指示灯闪烁)
电池	DC 9.0V (NEDA 1604/ 6F22 DC9V x1pcs)
外观尺寸 (长x宽x高)	138x80x35 mm
重量	140 公克
<b>MT-7028 接收器 规格</b>	
音频接收频率	1kHz
最大工作电流	$\leq 90\text{mA}$
可测试连接阜	RJ45(8 pin)/RJ11(6 pin) 共享插座
功能选择	4 段滑动开关(非接触验电、关机、LED 照明、寻线查找)
耳机座	1 个
信号强弱指示	1 个 LED & 蜂鸣器
线序/故障指示	8 个 LED
网络线 屏蔽/非屏蔽指示	1 个 LED
非接触验电(NCV)指示	1 个 LED (交流 90~1000V)
工作照明	1 个 LED
电源指示	1 个 LED
电池	DC 9.0V (NEDA 1604/ 6F22 DC9V x1pcs)
外观尺寸 (长x宽x高)	203x50x32 mm
重量	100 公克

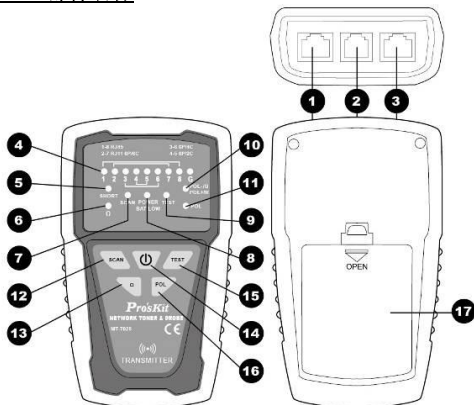


**警告**

- 不得在超过或 DC 48V或任何带交流电压的带电电路上使用本产品。
- 不得使用已破损的MT-7028音频网络测试器测试导线。使用以前, 请检查机壳和测试导线是否有破损。
- 在测试电话电路时, 将不使用的测试导线和连接器从MT-7028音频网络测试器上断开连接。
- 除非要更换电池或保险丝, 否则不得打开机壳; 其中没有任何用户可维修的零件。

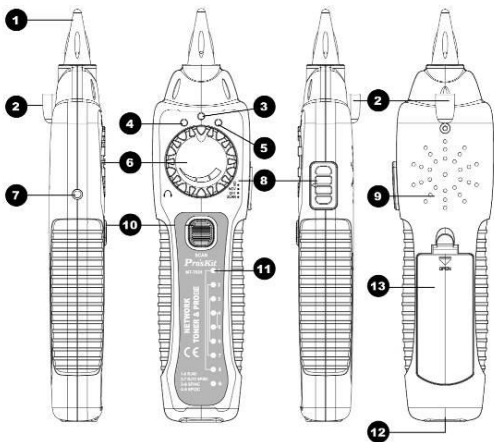
- 在更换电池以前，请关机！并断开所有测试导线的连接。
- 仅使用9V电池，正确安装在机壳内以提供电源。
- 如果不遵照指定方式使用本设备，则可能影响本产品提供的保护。

## 1. MT-7028 部件名称



MT-7028 音频产生器 外观图

1. RJ45(8 pin)/RJ11(6/4/2 pin)对线测试插座
2. RJ11(6 pin)Scan插座
3. RJ45Scan插座
4. 「1-8、G」测试结果指示灯
5. 「SHORT」短路测试结果指示灯
6. 「Ω」短路/导通功能指示灯
7. 「SCAN」寻线功能指示灯
8. 「POWER/BAT LOW」电源指示灯
9. 「TEST」线序/故障功能指示灯
10. 「POL -/G, POL +/R」电话极性测试结果指示灯
11. 「POL」电话极性功能指示灯
12. 「SCAN」寻线功能键
13. 「Ω」短路/导通功能键
14. 「POWER」电源开/关键
15. 「TEST」线序/故障功能键
16. 「POL」电话极性功能键
17. 电池盖。



**MT-7028 接收器 外观图**

1. 音频信号探头
2. LED工作照明灯
3. 电源指示灯
4. 非接触验电(NCV)指示灯
5. 信号强弱指示灯
6. 音量旋钮
7.  $\varnothing 3.5\text{mm}$ 耳机座
8. 4段功能开关
9. 喇叭
10. [SCAN] 寻线功能键
11. [1~8、G] 测试结果指示灯
12. RJ45(8 pin)/RJ11(6/4/2 pin)测试插座
13. 电池盖。

## 2. 使用1KHz音频信号查找、分离电线:

使用MT-7028音频网络测试仪的1KHz查找线路时,能定位、分离、查找双绞线(UTP Cat 5、Cat 5e、Cat 6)、电话线(Cat 3),搭配跳接线可以测试RJ45/RJ11插座的接线,搭配鳄鱼夹连接线,可测试同轴电缆线、一般电线和各种接线板。



### 警告

- 使用MT-7028音频网络测试仪不可以使用在带电的线路上,操作前应确认关闭所有电源。
- RJ45音频寻线时,请使用RJ45 SCAN插座。RJ11(6P/6C/4C/2C)音频寻线时,请使用RJ11 SCAN插座。使用RJ11(6 pin)插座,搭配鳄鱼夹连接线,可测试同轴电缆线、一般电线和各种接线板。



### 注意





- 使用MT-7028音频网络测试仪的1KHz查找线路时,应尽量远离或关闭干扰源。如.具有变压器、电感、线圈、马达的电器设备…等;如果接近干扰源,而MT-7028接收器产生接收的噪声声音,属于正常状态;但如果影响操作判断时,应予远离或关闭干扰源。
- MT-7028音频网络测试仪的1KHz音频信号,通过电路板或分岔线路或整捆电线(绞线)时,会有相互感应传递和信号强度的衰减的现象。且无法穿透金属配线管。
- 在搜索MT-7028音频产生器的信号时,无需将MT-7028接收器的探头触及线缆或接线板。
- 在使用MT-7028音频网络测试仪前,请先将MT-7028音频发射器的黑色鳄鱼夹进行接地作业。
- 在使用MT-7028音频网络测试仪耳机进行查线时,请将探头远离耳机线,避免产生共鸣影响查线效果。

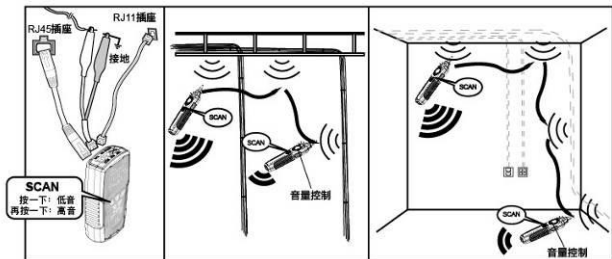
MT-7028音频产生器所产生1KHz的音频信号,具有双音调高/低两种音色可以选择,并可以配合所有连接接口和配件,提供这两种高/低音频信号。

## 查找电线

当你需要查找电线布线位置或查找电线断路位置时,请依照下列步骤(如图一)进行:

- 1) 如(图一)所示,先将MT-7028音频产生器 的黑色鳄鱼夹妥善接地,再将红色鳄鱼夹与待测线路的连接线或插座或接线板连接妥善。

- 2) 如(图一)所示, 按下「」电源开/关键, 「POWER/BAT LOW」红色电源指示灯亮起, 打开电源。再按下「」寻线功能键后, 当「SCAN」寻线功能红色指示灯闪烁时, 表示低音调寻线测试的功能启动。再单击此功能键后, 当「SCAN」寻线功能红色指示灯快速闪烁时, 表示高音调寻线测试的功能启动。再单击此功能键, 「SCAN」寻线功能红色指示灯熄灭后, 表示回到待机状态。
- 3) 如(图一)所示, 将接收器4段功能开关拨到SCAN或LED檔, 按下接收器中间的「」寻线功能键时, 红色指示灯亮起, 表示寻线测试的功能启动。当放开「」寻线功能键时, 红色指示灯熄灭后, 表示寻线测试的功能关闭。未插上耳机前喇叭有声音输出, 插上耳机后则喇叭无声音输出, 声音由耳机输出。
- 4) 使用MT-7028接收器 将音量旋钮转到最大, 沿着塑料配线管、走线架、接线板或墙壁, 查找布线线路的大致位置。接近时, 接收器的喇叭响起音频信号声音, 喇叭声音越大, 表示信号越强; 同时信号强弱指示灯LED亮红色, 指示灯明暗程度会随信号强度改变, 当此指示灯越亮, 表示信号越强。
- 5) 旋转音量旋钮, 控制音量由大到小, 则可以改变查找电线的灵敏度, 将搜寻位置由30cm缩小到10cm以内, 精确查找到电线。



(图一) 查找电线

## 分离电线

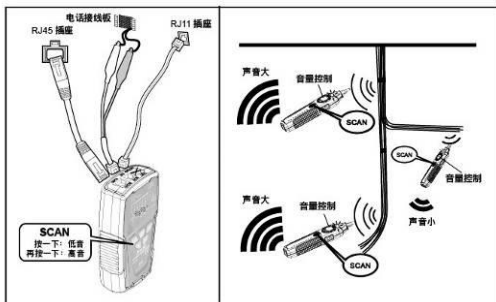
当你需要寻找捆绑在一起的电缆其中一条电线, 或多芯电缆中的其中一条芯线时, 请依照前面查找电线的步骤(1.)到(4.)进行(如图一), 然后再依照下列步骤(如图二)继续进行:



- 1) 将电缆拨开约30~45cm长，采用二分法，将电缆的芯线概略分为左右各一半，使用MT-7028接收器寻找目标芯线的位置，喇叭声音较大和LED灯比较亮(信号较强)的一边，代表其中包含了你所要寻找的目标芯线。
- 2) 旋转音量旋钮，控制音量由大到小，则可以改变查找电线的灵敏度，将搜寻位置由30cm缩小到10cm以内，精确找到目标芯线的位置。
- 3) 重复前面二分法的(1.)、(2.)步骤，则可轻易找到目标芯线。

**⚠ 注意**

如果不能正确分辨两导线电缆上的音频信号，可能电缆已短路或断路。请使用连通测试，检查接电缆是否短路或断路。



(图二) 分离电线




### 3. 线对表(Cable Map)测试:

可以使用MT-7028音频产生器“TEST”两用插座，配合MT-7028接收器RJ45/RJ11两用插座，测试RJ45网络线和RJ11电话线的线对表(Cable Map)。搭配跳接线可以测试RJ45/RJ11插座的线对表(Cable Map)。线对表(Cable Map)的功能可查找各种电缆布在线常见的：通路、短路、断路、交叉的情况。

**⚠ 注意!**

进行RJ45或RJ11线对表(Cable Map)测试时，RJ45网络线/RJ11电话线只能插入音频产生器的“TEST”两用插座，不可使用RJ45 SCAN或RJ11 SCAN插座。

- 1) 将待测线插入音频产生器RJ45/RJ11 TEST插座，另一段插入接收器插座。

- 2) 按下「」电源开/关键，「POWER/BAT LOW」红色电源指示灯亮起，打开电源。再按下MT-7028音频产生器的「」线序/故障功能键后，当「TEST」线序/故障功能绿色指示灯慢速闪烁时，表示慢速线序/故障测试的功能启动，线对表(Cable Map)的绿色LED开始慢速扫描显示。再单击「」线序/故障功能键后，当「TEST」线序/故障功能绿色指示灯快速闪烁时，表示快速线序/故障测试的功能启动，线对表(Cable Map)的绿色LED开始快速扫描显示。再单击此功能键后，当「TEST」线序/故障功能绿色指示灯熄灭后，表示回到待机状态。

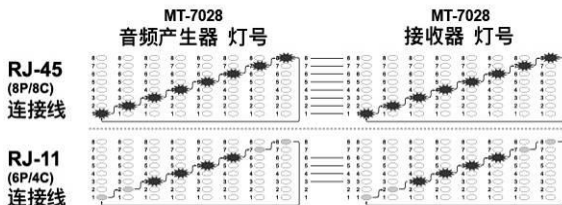


(图三) 线对表(Cable Map)测试

 **注意**

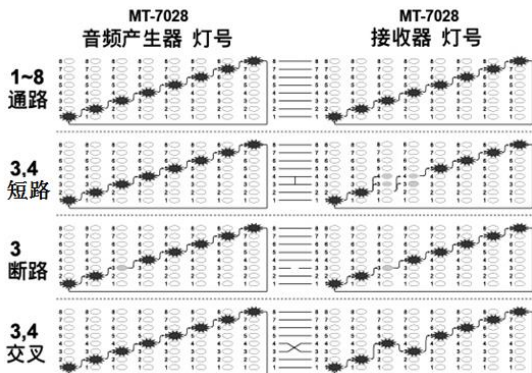
- 线对表(Cable Map)测试时，LED慢速扫描显示间隔约1秒钟，LED快速扫描显示间隔约0.5秒钟，每次由1~8、G顺序扫描显示。如果遇到2条空线时，会有间歇2秒的现象，依此类推。
  - 线对表(Cable Map)测试前，如有必要，可依前面所述方式，使用“**查找电线**”的方法，先进行查找另一端正确的连接器或连接线。
- 3) MT-7028音频产生器和MT-7028接收器上的LED输出，不同线材的线对表(Cable Map)显示方式如下：
- RJ45(8P/8C)的LED灯号显示：MT-7028音频产生器的线对表(Cable Map)LED，每1秒由1~8、G的顺序，逐步显示；并依接线顺序，对应MT-7028接收器上的线对表(Cable Map)LED同步显示。(如图四)

- RJ11(6P/6C、6P/4C、6P/2C)的LED灯号显示：MT-7028音频产生器的线对表(Cable Map)LED，6P/6C每1秒由2~7的顺序；6P/4C每1秒由3~6的顺序；6P/2C每1秒由4~5的顺序)，逐步显示；并依接线顺序，对应MT-7028接收器上的线对表(Cable Map)LED同步显示。如果遇到空线时，会有显示间歇的现象。(如图四)



(图四) 不同线材的线对表(Cable Map)

- 4) MT-7028音频产生器和MT-7028接收器上的线对表(Cable Map)LED输出，通路、短路、断路、交叉表示的方式如下：
- **「通路」**的LED灯号显示：MT-7028音频产生器的LED，第1~8、G个LED亮灯，对应MT-7028接收器上的LED，第1~8、G个LED同步显示。(如图五)
  - **「短路」**的LED灯号显示：MT-7028音频产生器的LED，第3个和第4个LED依序亮灯，对应MT-7028接收器上的LED，第3个和第4个LED同时点亮，但亮度较暗。(如图五)（若同时短路跳线超过3根，因电流供电不足，对应接收器上的LED亮度会更暗或不亮）
  - **「断路」**的LED灯号显示：MT-7028音频产生器的LED，第3个LED不亮，对应MT-7028接收器上的LED，第3个LED不亮。(如图五)
  - **「交叉」**的LED灯号显示：MT-7028音频产生器的LED，第3个LED亮灯，对应MT-7028接收器上的LED，第4个LED同步显示；MT-7028音频产生器的LED，第4个LED亮灯，对应MT-7028接收器上的LED，第3个LED同步显示。(如图五)
  - 依照MT-7028音频产生器和MT-7028接收器上的线对表(Cable Map)LED输出，反复测试；并以LED显示的线对表(Cable Map)确认接线顺序的正确性。


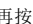



(图五) 通路、短路、断路、交叉

#### 4. 工作中的网络检测：



**注意：**此测试方法只能测试网线路通断，不能检测交叉或短路。


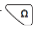
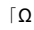
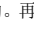
- 1) 将MT-7028音频产生器妥善连接RJ45(8P/8C)网络线或插座、另一端连接在正在工作的网络交换机上。
- 2) 按下「」电源开/关键，「POWER/BAT LOW」红色电源指示灯亮起，打开电源。再按下MT-7028音频产生器的「」线序/故障功能键后，当「TEST」线序/故障功能绿色指示灯慢速闪烁时，表示慢速线序/故障测试的功能启动，线对表(Cable Map)的绿色LED开始慢速扫描显示。再单击「」线序/故障功能键后，当「TEST」线序/故障功能绿色指示灯快速闪烁时，表示快速线序/故障测试的功能启动，线对表(Cable Map)的绿色LED开始快速扫描显示。再单击此功能键后，当「TEST」线序/故障功能绿色指示灯熄灭后，表示回到待机状态。
- 3) 当MT-7028音频产生器上的「1~8、G」测试结果指示灯，按先后顺序逐一点亮时，表示网络线1~8、G全部连通，如有灯号未亮，代表线路故障。

#### 5. 同轴电缆线和电线连通测试：


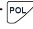


**警告：**测试前，应先将电源关闭。

- 1) 当你需要确认同轴电缆线或电线连通是否有接触不良时，请依照下列步骤进行

- 2) 先将MT-7028音频产生器的黑色鳄鱼夹，确认与待测电缆的一端接头、金属部分连接妥善，再将红色鳄鱼夹，与待测电缆的另一端接头、金属部分连接妥善。
- 3) 按下「」电源开/关键，「POWER/BAT LOW」红色电源指示灯亮起，打开电源。再按下MT-7028音频产生器的「」短路/导通功能键后，当「」短路/导通功能绿色指示灯亮起时，表示短路/导通测试的功能启动。再单击此功能键后，当「」短路/导通功能绿色指示灯熄灭后，表示回到待机状态。
- 4) 当「SHORT」短路测试结果红色指示灯亮起时，表示连通(阻抗<300Ω)。当指示灯不亮时，表示无连通，或是遮蔽不良和连通不良(阻抗>300Ω)。

## 6. 电话正负极性测试：

- 1) 当你需要确认电话线路的正负极性时，请依照下列步骤进行：
- 2) 先将MT-7028音频产生器的红、黑色鳄鱼夹，分别与待测电话线路的连线或插座或接线板的两端连接妥善。
- 3) 按下「」电源开/关键，「POWER/BAT LOW」红色电源指示灯亮起，打开电源。再按下MT-7028音频产生器的「」电话极性功能键后，当「POL」电话极性功能指示灯亮起时，表示电话正/负极性测试的功能启动。再单击此功能键后，当「POL」电话极性功能指示灯熄灭后，表示回到待机状态。
- 4) 「POL-/G, POL+/R」电话极性测试结果指示灯，是一个红/绿双色LED指示灯：
  - 红色指示灯亮起时，代表红色鳄鱼夹端为电话局线的“+”极，黑色鳄鱼夹端为电话局线的“-”极。
  - 绿色指示灯亮起时，代表红色鳄鱼夹端为电话局线的“-”极，黑色鳄鱼夹端为电话局线的“+”极。
  - 当指示灯不亮时，代表电话线路无供电或是线路故障。

## 7. NCV 非接触验电：



### 注意：

此项测试功能可以被广泛应用在定位、分离、导通、查找、线对表(Cable Map)测试前，确认被测线路中是否有交流电压，除可确保人身安全.避免触电外，也可以保护MT-7028音频网络测试器，不被交流电压损坏！

- 1) 将4段功能选择开关，拨切至「NCV」档位后，电源指示灯亮起，表示「NCV」非接触验电测试的功能启动。
- 2) 将MT-7028接收器的探头靠近被测物，进行非接触验电(NCV)测试，当非接触验电(NCV)指示灯快速闪烁、同时蜂鸣报警时，代表被测物具有90~1000V交流电压。当指示灯不亮、无蜂鸣报警时，代表被测物的交流电压低于90V或是没有交流电压。

## 8. 维护与简易故障排除：

### 维护：



**警告**

为避免可能发生的电击或人体伤害，维护前，应关机并断开所有测试导线的连接。



**小心**

为避免损坏机壳，不要使用溶剂或磨蚀性去污粉。

用柔性软布沾水后拧干、或柔性软布沾柔性皂液后拧干，轻轻的擦拭机壳。

### 简易故障排除：

故障	排除
接收器无法探测音频产生器的信号	电池电力不足：检查音频产生器和接收器的电池，如电压低于 6.5V，需更换电池。
	接收器档位不正确：请拨至 SCAN 檔或 LED 照明檔，其它檔位不能探测 SCAN 信号。
	带屏蔽的 STP 网线。
	仪器故障：返回经销商维修。
活电下测试电话局线，接收器无法探测音频产生器的信号	可能是电话局线信号频率，与本音频产生器的信号冲突，请关闭电话交换机。
线序/故障测试结果显示不正确	LED 指示灯损坏：返回经销商维修
	网络线或电话线接触不良：请将网络线或电话线，重新插入 RJ45/RJ11 共享插座。
其它功能异常	仪器故障：返回经销商维修
NCV 无法测试	将开关拨到 SCAN 檔，按 SCAN 键，如 SCAN 指示灯闪亮明显，则表明电池有电，如微弱闪亮或不亮，则电池电量低，需更换电池

# Pro'sKit® 中国地区产品保固卡

购买日期		店章
公司名称		
联络电话		
电子邮箱		
联络地址		
产品型号	□ MT-7028-C	

- ※ 在正常使用情况下，自原购买日起 12 个月免费维修保证（不含耗材、消耗品）。
- ※ 产品保固卡需盖上店章、日期章，其保固效力始生效。
- ※ 本卡请妥善保存，如需维修服务时，请出示本卡以为证明。
- ※ 保固期满后，属调整、保养或是维修性质之服务，则酌收检修工时费用。若有零件需更换，则零件费另计。

## 产品保固说明

- 保固期限内，如有下列情况者，维修中心则得酌收材料成本或修理费(由本公司维修人员判定)：
  - 对产品表面的损伤，包括外壳裂缝或刮痕
  - 因误用、疏忽、不当安装或测试，未经授权打开产品修理，修改产品或者任何其它超出预期使用范围的原因所造成的损害
  - 因事故、火灾、电力变化、其它危害，或自然灾害所造成的损害。
- 非服务保证内容：
  - 机件本体外之消耗品：如电池...等消耗品
  - 机件本体之外之零配件：如耳机麦克风，电源供应器，记忆卡，CD 等零配件。
- 超过保证期限之检修或服务,虽未更换零件，将依公司保固维修政策酌收服务费。

制造商：宝工实业股份有限公司  
地址：台湾新北市新店区民权路130巷7号5楼  
电话：886-2-22183233  
E-mail：pk@mail.prokits.com.tw

销售/生产商：上海宝工工具有限公司  
地址：上海市浦东新区康桥东路1365弄25号  
原产地：中国.上海  
服务热线：021-68183050

**Pro'sKit<sup>®</sup>**



寶工實業股份有限公司  
PROKIT'S INDUSTRIES CO., LTD

<http://www.prokits.com.tw>

Email: pk@mail.prokits.com.tw

©2020 Prokit's Industries Co., LTD. All rights reserved 2020001(C)



## X-ON Electronics

Largest Supplier of Electrical and Electronic Components

*Click to view similar products for [Proskit](#) manufacturer:*

Other Similar products are found below :

[103-132D](#) [19400-M3](#) [19400-M3.5](#) [19400-M4](#) [19400-M4.5](#) [19400-M5](#) [1PK-201](#) [1PK-212](#) [1PK-3171](#) [1PK-317N](#) [1PK-390G](#) [203-132F](#) [203-132I](#) [22-10810](#) [22-10815](#) [22-10820](#) [22-11050](#) [22-11065](#) [22-11620](#) [22-11650](#) [22-14670](#) [22-21745](#) [22-3745](#) [22-3750](#) [22-3775](#) [22-3830](#) [22-3990](#) [22-8602](#) [22-8618](#) [22-9110](#) [22-9482](#) [5SI-129-40H](#) [5SI-129-60H](#) [5SS-331N1-H](#) [5SS-331N-PAD-B](#) [5SS-331N-PAD-W](#) [5SS-552-H](#) [5SS-553-H](#) [5SS-554-H](#) [5SS-988-NZ1](#) [5SS-988-NZ2](#) [5SS-988-NZ3](#) [72-8740](#) [89400-H1.5](#) [89400-H3](#) [8PK-022](#) [8PK-2062](#) [8PK-2063](#) [8PK-610](#) [8PK-H081](#)