

# 信昌電子陶瓷股份有限公司

Prosperity Dielectrics Co., Ltd.

No.220-1, Sec. 2, Nanshan Rd., Lujhu, Taoyuan 33860, Taiwan, R.O.C.  
 Tel. : 886-3-3224471 Fax : 886-3-3212216

## SPECIFICATION FOR APPROVAL

DATE: \_\_\_\_\_

CUSTOMER: \_\_\_\_\_

PART NAME: Anti-Surge Lead Free & Halogen Free Chip Resistors

CUSTOMER'S DWG. NO. \_\_\_\_\_

CUSTOMER'S PART NO. \_\_\_\_\_

PDC PART NO. FNF SERIES APPROVED

DESCRIPTION. \_\_\_\_\_

| RESULT \ ACTION      | " ~ " | CUSTOMER'S SIGNATURE | NOTE |
|----------------------|-------|----------------------|------|
| FULL APPROVED        |       |                      |      |
| CONDITIONAL APPROVED |       |                      |      |
| REJECTED             |       |                      |      |

| OUR ACTION  | SIGNATURE          |
|-------------|--------------------|
| PREPARED BY | <i>Jenny Tseng</i> |
| CHECKED BY  | <i>Tony Chou</i>   |
| APPROVED BY | <i>Byron Tsai</i>  |

|  |
|--|
| <p align="center"><b>CUSTOMER SIGNATURE FOR ACCEPTANCE</b></p> |
|--|

|  |    |
|--|----|
| 1. Features .....                        | 2  |
| 2. Applications.....                     | 2  |
| 3. Dimension and construction .....      | 2  |
| 4. Power Derating Curve .....            | 3  |
| 5. Rating .....                          | 3  |
| 6. Part Number .....                     | 4  |
| 7. Resistance Marking / Soldering .....  | 4  |
| 8. Reliability Performance.....          | 6  |
| 9. Packing .....                         | 9  |
| 9.1 Peel Strength of Top Cover Tape..... | 9  |
| 9.2 Tape Packaging Dimensions.....       | 9  |
| 9.3 Reel Dimensions.....                 | 10 |
| 10. Storage / Handling .....             | 10 |

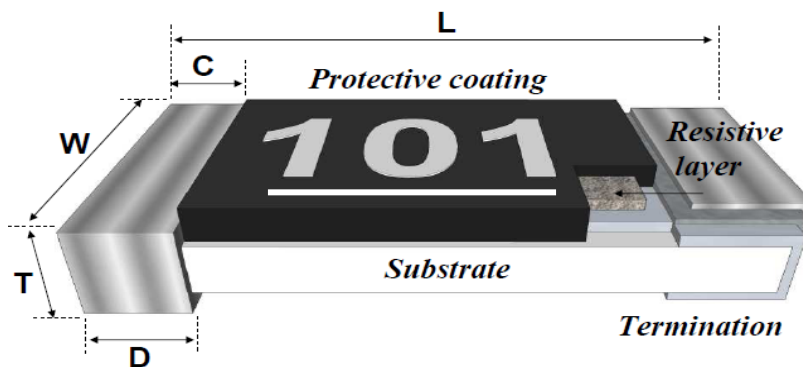
### 1. Features

- High reliability and compact size.
- Suitable for withstanding surge voltage.
- Suitable for lead free soldering.
- RoHS compliant & Halogen Free.
- Meet AEC-Q200

### 2. Applications

- Power supply.
- Automotive industry.
- Digital meter, Consumer electronics, M/B.
- LED Lighting.
- Industry control board.

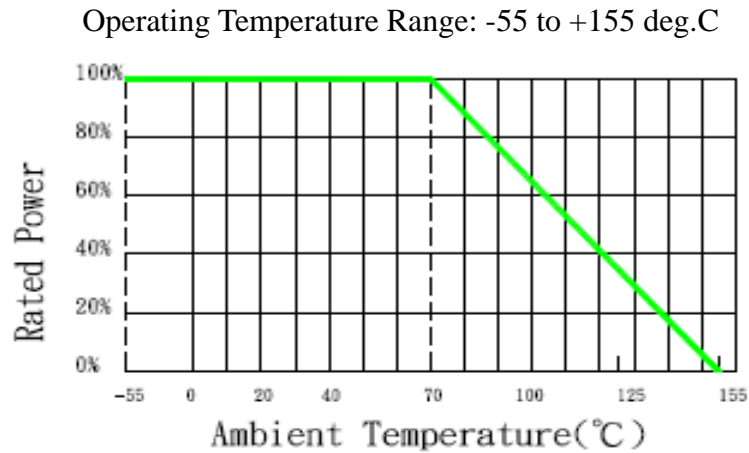
### 3. Dimension and Construction



Unit : mm

| Type  | L         | W         | C         | D         | T         |
|-------|-----------|-----------|-----------|-----------|-----------|
| FNF03 | 1.60±0.10 | 0.80±0.10 | 0.30±0.20 | 0.30±0.20 | 0.45±0.10 |
| FNF05 | 2.00±0.10 | 1.25±0.10 | 0.40±0.20 | 0.40±0.20 | 0.50±0.10 |
| FNF06 | 3.10±0.10 | 1.60±0.10 | 0.50±0.25 | 0.50±0.25 | 0.55±0.10 |
| FNF12 | 3.10±0.10 | 2.60±0.10 | 0.50±0.25 | 0.50±0.25 | 0.55±0.10 |
| FNF20 | 5.00±0.20 | 2.50±0.20 | 0.60±0.25 | 0.60±0.25 | 0.60±0.10 |
| FNF25 | 6.40±0.20 | 3.20±0.20 | 0.60±0.25 | 0.90±0.25 | 0.60±0.15 |

#### 4. Power Derating Curve



#### 5. Rating

| Type  | Size | Power Rating at 70°C | Max. RCWV | Max. Overload Voltage | Resistance Tolerance                    | Temperature Coefficient (ppm/°C) | Resistance Range |      | Standard Resistance Values |
|-------|------|----------------------|-----------|-----------------------|---|----------------------------------|------------------|------|----------------------------|
|       |      |                      |           |                       |   |                                  | Min.             | Max. |                            |
| FNF03 | 0603 | 1/10W                | 50V       | 100V                  | ±5%(J)<br>±10%(K)<br>±15%(L)<br>±20%(M) | ±100                             | 1Ω               | 1MΩ  | E24                        |
| FNF05 | 0805 | 1/8W                 | 150V      | 300V                  |   |                                  |                  |      |                            |
| FNF06 | 1206 | 1/4W                 | 200V      | 400V                  |   |                                  |                  |      |                            |
| FNF12 | 1210 | 1/3W                 | 200V      | 400V                  |   |                                  |                  |      |                            |
| FNF20 | 2010 | 3/4W                 | 200V      | 400V                  |   |                                  |                  |      |                            |
| FNF25 | 2512 | 1W                   | 200V      | 400V                  |   |                                  |                  |      |                            |

Note :  $RCWV = (P \times R)^{1/2}$  or Max. RCWV listed above, whichever is lower.

RCWV : Working Voltage (V) , P : Rated Power (W) , R : Resistance Value (Ω)

## 6.Part Number

| Type       | Size            | Tolerance      | Packing   | Watt                        | R Value (GM)              | Special Code   |
|------------|-----------------|----------------|---|-----------------------------|---------------------------|--|
| <b>FNF</b> | <b>03</b> :0603 | <b>J</b> :±5%  | <b>Paper Tape :</b><br><b>0603.0805</b><br><b>1206.1210</b><br><b>T</b> : 5Kpcs<br><b>V</b> : 10Kpcs<br><b>W</b> : 20Kpcs<br><b>Plastic Tape :</b><br><b>2010.2512</b><br><b>P</b> : 4Kpcs<br><b>X</b> : 8Kpcs<br><b>Y</b> : 16Kpcs | : :<br>As<br>Rating<br>Info | <b>XXX</b><br><br>3 digit | <b>” Null ”</b> :<br>Standard<br><br><b>-M</b> :<br>Meet<br>AEC-Q200 |
|            | <b>05</b> :0805 | <b>K</b> :±10% |   |                             |                           |  |
|            | <b>06</b> :1206 | <b>L</b> :±15% |   |                             |                           |  |
|            | <b>12</b> :1210 | <b>M</b> :±20% |   |                             |                           |  |
|            | <b>20</b> :2010 |                |   |                             |                           |  |
|            | <b>25</b> :2512 |                |   |                             |                           |  |

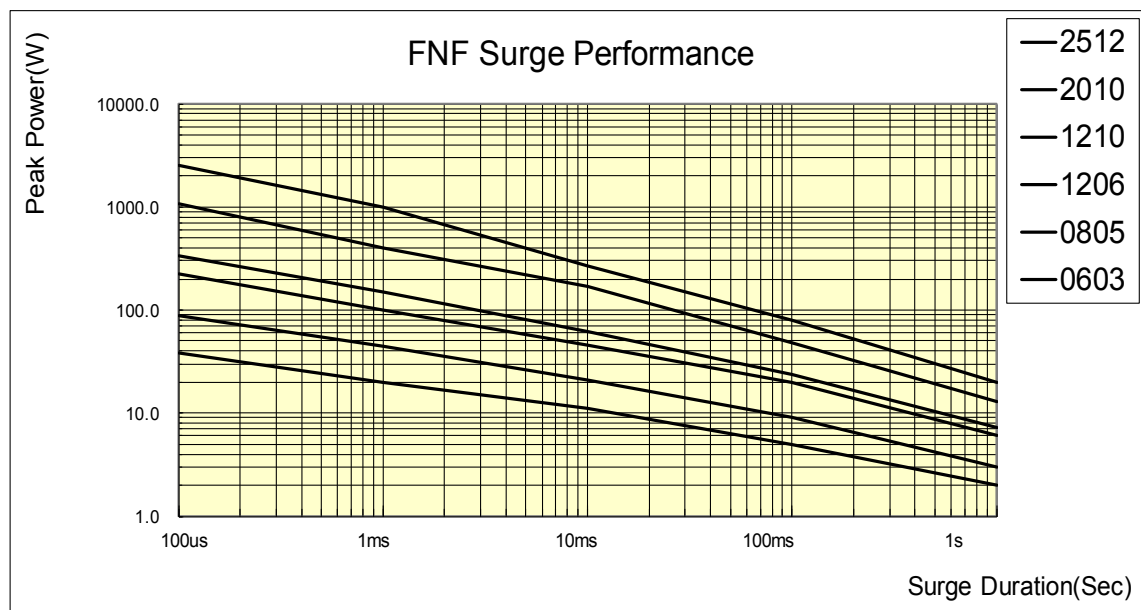
Example :

### FNF25JP-104-M

→2512 size, tolerance 5%, plastic tape, 1W, 1 MΩ, Aec-Q200.

### FNF06KT-104

→1206 size, tolerance 10%, paper tape, 1/4W, 100 KΩ, standard.

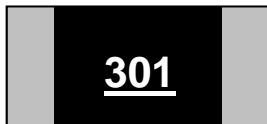


## 7. Marking/Soldering

Resistance value identify :

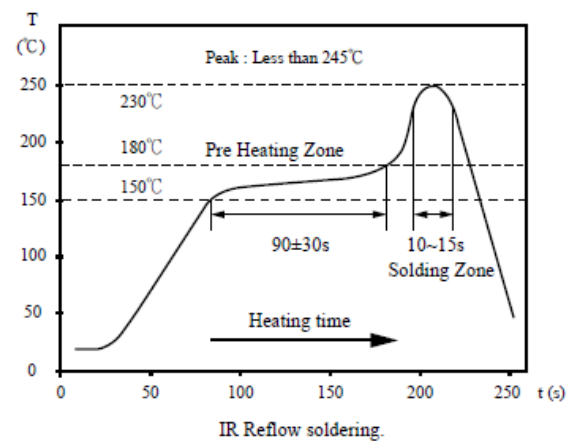
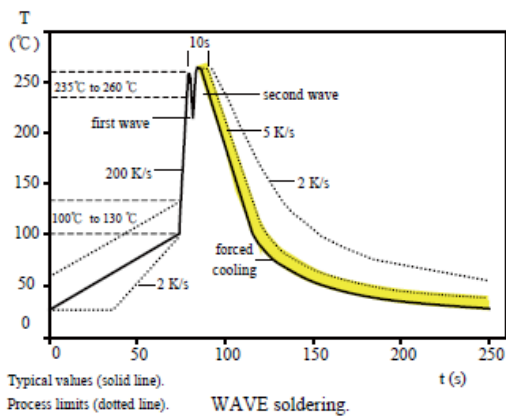
E24  $\pm 5\%$  : 3 Digits marking with underline to identify the resistance value

0603/0805/1206/1210/2010/2512



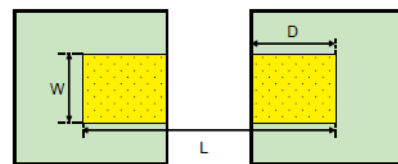
301  $\rightarrow 30 \times 10^1 = 300\Omega$

Soldering Reference :



Recommend Solder Pad Dimensions :

| Type         | W    | D    | L    |
|--------------|------|------|------|
| <b>FNF03</b> | 0.90 | 1.00 | 3.00 |
| <b>FNF05</b> | 1.30 | 1.15 | 3.50 |
| <b>FNF06</b> | 1.80 | 1.30 | 4.70 |
| <b>FNF12</b> | 3.00 | 1.30 | 4.70 |
| <b>FNF20</b> | 3.00 | 1.50 | 6.80 |
| <b>FNF25</b> | 3.70 | 1.60 | 7.60 |



Unit:mm

## 8. Reliability Performance (AEC-Q200)

\* Normal test items for standard product.

| Test Item                                  | Specification   | Test Method<br>(AEC-Q200. IEC 60115)  |
|--|---|---|
| <b>*DC Resistance</b>                      | J : ± 5% K : ±10%<br>L : ±15% M : ±20%                        | <b>AEC-Q200 TABLE 7.1</b><br>IEC 60115-1 / JIS C 5201-1 , Clause 4.5 Measure the resistance Value.                                  |
| <b>High Temperature Exposure (Storage)</b> | $\Delta R \leq \pm(3\%+0.1\Omega)$                            | <b>AEC-Q200 TABLE 7.3</b><br>1000 hrs. @ T=125°C. Unpowered.<br>Measurement at 24 ±2 hours after test conclusion.                   |
| <b>*Temperature Cycling</b>                | $\Delta R \leq \pm(1\% + 0.1\Omega)$<br>No mechanical damage. | <b>AEC-Q200 TABLE 7.4</b><br>1000 Cycles (-55°C to +125°C). Measurement at 24±2 hours after test conclusion.                        |
| <b>Moisture Resistance</b>                 | $\Delta R \leq \pm(1\%+0.1\Omega)$                            | <b>AEC-Q200 TABLE 7.6</b><br>Test 65°C/80~100%RH/10Cycles.<br>Measurement at 24±2 hours after test conclusion. (t=24hrs/cycle).     |
| <b>Biased Humidity</b>                     | $\Delta R \leq \pm(5\%+0.1\Omega)$                            | <b>AEC-Q200 TABLE 7.7</b><br>1000 hours 85°C/85%RH.<br>10% of operating power.<br>Measurement at 24 ±2 hours after test conclusion. |
| <b>Operational Life</b>                    | $\Delta R \leq \pm(5\%+0.1\Omega)$                            | <b>AEC-Q200 TABLE 7.8</b><br>Test 1000hr @ TA=125°C at specified rated power.<br>Measurement at 24±2 hours after test conclusion.   |
| <b>External Visual</b>                     | No visual damage and refer PDC marking code.                  | <b>AEC-Q200 TABLE 7.9</b><br>Inspect device construction, marking and workmanship.  |
| <b>Physical Dimension</b>                  | Within the spec.  | <b>AEC-Q200 TABLE 7.10</b><br>Verify physical dimensions to the applicable device detail specification.                             |
| <b>Mechanical Shock</b>                    | Within product specification tolerance and no visible damage. | <b>AEC-Q200 TABLE 7.13</b><br>Test Peak value:100g's,Wave:Hail-sine,<br>Duration:6ms,Velocity:12.3ft/sec.                           |

# FNF series. (AEC-Q200) Anti-Surge Thick-film Lead Free Chip Resistors

| Test Item                         | Specification   | Test Method<br>(AEC-Q200. IEC 60115)   |
|-----------------------------------|---|--|
| <b>Vibration</b>                  | No mechanical damage.   | <b>AEC-Q200 TABLE 7.14</b><br>5 g's for 20 min., 12 cycles each of 3 orientations.<br>Test from 10-2000 Hz.  |
| <b>*Resistance to Solder Heat</b> | $\Delta R \leq \pm(1\% + 0.1\Omega)$<br>No mechanical damage. | <b>AEC-Q200 TABLE 7.15</b><br>Solder dipping @ 270°C±5°C for 10sec.±1sec.  |
| <b>Thermal Shock</b>              | $\Delta R \leq \pm(1\% + 0.1\Omega)$<br>No mechanical damage. | <b>AEC-Q200 TABLE 7.16</b><br>-55 to 155°C/ dwell time 15min/ Max transfer time 20sec/ 300cycles.  |
| <b>ESD</b>                        | $\Delta R \leq \pm(3\% + 0.1\Omega)$                          | <b>AEC-Q200-002</b><br>Test contact min. 1KV.  |
| <b>*Solder Ability</b>            | Over 95% of termination must be covered with solder.          | <b>AEC-Q200 TABLE 7.18</b><br>a) Baking 155°C 4H, dipping 235°C 5s<br>b) Steam 1H, dipping 215°C 5s<br>c) Steam 1H, dipping 260°C 7s                               |
| <b>Flammability</b>               | Refer UL-94.  | <b>AEC-Q200 TABLE 7.20</b><br>UL-94 V-0 or V-1 are acceptable  |
| <b>*Board Flex</b>                | $\Delta R \leq \pm(1\% + 0.1\Omega)$<br>No mechanical damage. | <b>AEC-Q200 TABLE 7.21</b><br>Bending 2mm 2512.2010.1210.1206,<br>3mm 0805.0603.   |
| <b>Terminal Strength</b>          | No mechanical damage  | <b>AEC-Q200 TABLE 7.22</b><br>Force 1 Kg for 60 seconds.   |
| <b>*Short Time Overload</b>       | $\Delta R \leq \pm(2\% + 0.1\Omega)$                          | <b>IEC 60115-1, Clause 4.13</b><br>5 × Rated power for 5 seconds   |
| <b>*Load Life Humidity</b>        | $\Delta R \leq \pm(3\% + 0.1\Omega)$                          | <b>IEC 60115-1, Clause 4.24</b><br>40±2°C with relative humidity<br>90% ~ 95% D.C. rated voltage for<br>1.5 hours ON 30 minutes OFF.<br>Cycle repeated 1000 hours. |



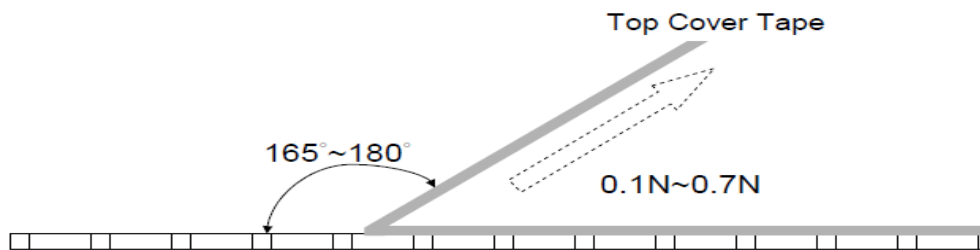
| Test Item   | Specification                                    | Test Method<br>(AEC-Q200. IEC 60115)  |
|---|--|---|
| <b>*Temperature Coefficient of Resistance (TCR)</b> | Within the spec.                                 | <b>IEC 60115-1, Clause 4.8</b><br>$T_1 \quad T_2$ Test temperature : 25°C~ -55°C<br>25°C~ +155°C<br>TCR(ppm/°C) =<br>$(R_2-R_1)/R_1 \times 1 / (T_2-T_1) \times 10^6$ |
| <b>*Load Life</b>                                   | $\Delta R \leq \pm(3\%+0.1\Omega)$               | <b>IEC 60115-1, Clause 4.25</b><br>Rated voltage for 1.5 hours for followed by a pause 0.5 hour at 70±2°C.<br>Cycle repeated 1000 hours.                              |
| <b>*Insulation Resistance</b>                       | Between termination and coating must over 1000MΩ | <b>IEC 60115-1, Clause 4.6</b><br>Test voltage : 100±15V  |

## 9. PACKAGING

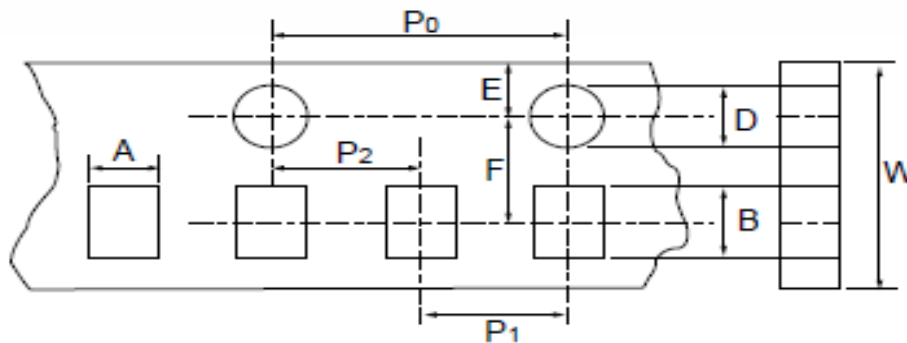
### 9.1 Peel Strength of Top Cover Tape

The peel speed shall be about 300 mm/min

The peel force of top cover tape shall be between 0.1 to 0.7N



### 9.2 Tape Packaging Dimensions

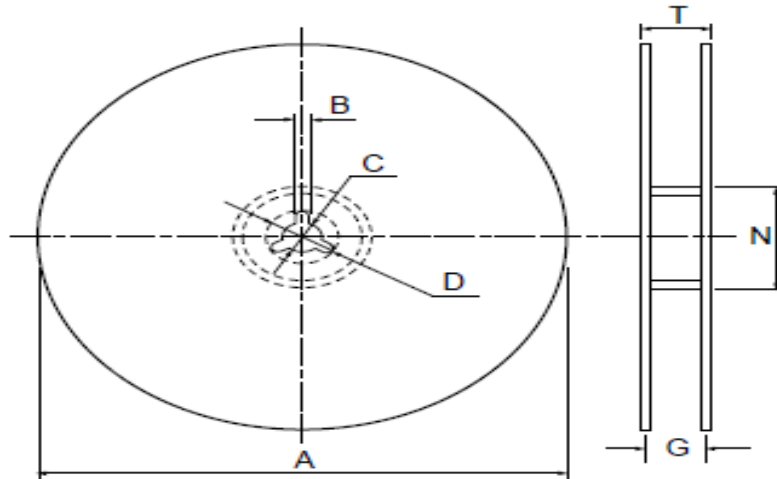


- Accumulated dimensional tolerance  $40\pm 0.2\text{mm}$

unit:mm

| Size | A              | B              | W               | F              | E              | P1             | P2             | P0             | D              |
|------|----------------|----------------|-----------------|----------------|----------------|----------------|----------------|----------------|----------------|
| 0603 | $1.10\pm 0.20$ | $1.90\pm 0.20$ | $8.00\pm 0.30$  | $3.50\pm 0.05$ | $1.75\pm 0.10$ | $4.00\pm 0.10$ | $2.00\pm 0.05$ | $4.00\pm 0.10$ | $1.50+0.10/-0$ |
| 0805 | $1.65\pm 0.20$ | $2.40\pm 0.20$ | $8.00\pm 0.30$  | $3.50\pm 0.05$ | $1.75\pm 0.10$ | $4.00\pm 0.10$ | $2.00\pm 0.05$ | $4.00\pm 0.10$ | $1.50+0.10/-0$ |
| 1206 | $2.00\pm 0.20$ | $3.60\pm 0.20$ | $8.00\pm 0.30$  | $3.50\pm 0.05$ | $1.75\pm 0.10$ | $4.00\pm 0.10$ | $2.00\pm 0.05$ | $4.00\pm 0.10$ | $1.50+0.10/-0$ |
| 1210 | $3.00\pm 0.20$ | $3.60\pm 0.20$ | $8.00\pm 0.30$  | $3.50\pm 0.05$ | $1.75\pm 0.10$ | $4.00\pm 0.10$ | $2.00\pm 0.05$ | $4.00\pm 0.10$ | $1.50+0.10/-0$ |
| 2010 | $2.80\pm 0.20$ | $5.50\pm 0.20$ | $12.00\pm 0.30$ | $5.50\pm 0.05$ | $1.75\pm 0.10$ | $4.00\pm 0.10$ | $2.00\pm 0.05$ | $4.00\pm 0.10$ | $1.50+0.10/-0$ |
| 2512 | $3.50\pm 0.20$ | $6.70\pm 0.20$ | $12.00\pm 0.30$ | $5.50\pm 0.05$ | $1.75\pm 0.10$ | $4.00\pm 0.10$ | $2.00\pm 0.05$ | $4.00\pm 0.10$ | $1.50+0.10/-0$ |

### 9.3 Reel Dimensions



unit:mm

| Size | Packaging Q'ty | A         | N         | C        | D        | B       | G        | T        |
|------|----------------|-----------|-----------|----------|----------|---------|----------|----------|
| 0603 | 5kpcs/Reel     | 178.0±2.0 | 60.0±0.5  | 13.0±0.5 | 20(Min.) | 2.0±0.5 | 10.0±1.5 | 14.9max. |
| 0805 | 10kpcs/Reel    | 254.0±2.0 | 100.0±1.0 | 13.5±0.5 | 20(Min.) | 2.0±0.5 | 10.0±1.5 | 14.9max. |
| 1206 | 20kpcs/Reel    | 330.0±2.0 | 100.0±1.0 | 13.5±0.5 | 20(Min.) | 2.0±0.5 | 10.0±1.5 | 14.9max. |
| 2010 | 4kpcs/Reel     | 178.0±2.0 | 60.0±0.5  | 13.0±0.5 | 20(Min.) | 2.0±0.5 | 13.8±1.5 | 16.7max. |
| 2512 | 8kpcs/Reel     | 254.0±2.0 | 100.0±0.5 | 13.5±0.5 | 20(Min.) | 2.0±0.5 | 13.8±1.5 | 20.0max. |
|      | 16kpcs/Reel    | 330.0±2.0 | 100.0±1.0 | 13.5±0.5 | 20(Min.) | 2.0±0.5 | 13.8±1.5 | 20.0max. |

## 10. Storage & Handling

... Products are recommended to be used up within one year as ensured shelf life.

Check soldering ability in case shelf life extension is needed.

... To store products with following condition:

Temperature:5 to 40°C ; Humidity: 20 to 70% relative humidity.

### Precaution for use :

The AEC-Q200 series resistors is mainly used on general automotive equipment without safety considerations.

Please contact our company in advanced if you intend to use resistor for designing the equipment which may

damage itself and the safety of third party. If necessary, please consider to add the protect circuit in devising

process and obtaining fully safety evaluation. The contents of the acknowledgment is only used for our parent

company, marketing subsidiaries and official marketing agents who purchase our products. Not applicable for the

other nonofficial channels.

## X-ON Electronics

Largest Supplier of Electrical and Electronic Components

*Click to view similar products for [Thick Film Resistors - SMD category](#):*

*Click to view products by [Prosperity manufacturer](#):*

Other Similar products are found below :

[CR-05FL7--150R](#) [CR-05FL7--19K6](#) [CR-05FL7--243R](#) [CR-05FL7--40K2](#) [CR-05FL7--698K](#) [CR-12FP4--324R](#) [CR-12JP4--680R](#)  
[M55342K06B1E78RS3](#) [M55342K06B6E19RWL](#) [M55342K06B6E81RS3](#) [M55342M05B200DRWB](#) [M55342M06B4K70MS3](#) [MC0603-511-](#)  
[JTW](#) [742C083750JTR](#) [MCR01MZPF1202](#) [MCR01MZPF1601](#) [MCR01MZPF1800](#) [MCR01MZPF6201](#) [MCR01MZPF9102](#) [MCR01MZPJ113](#)  
[MCR01MZPJ121](#) [MCR01MZPJ125](#) [MCR01MZPJ751](#) [MCR03EZHJ103](#) [MCR03EZPFX2004](#) [MCR03EZPJ270](#) [MCR03EZPJ821](#)  
[MCR10EZPF1102](#) [MCR18EZPJ330](#) [RC0603F1473CS](#) [RC0603F150CS](#) [RC1005F1152CS](#) [RC1005F1182CS](#) [RC1005F1372CS](#)  
[RC1005F183CS](#) [RC1005F1911CS](#) [RC1005F1912CS](#) [RC1005F203CS](#) [RC1005F2052CS](#) [RC1005F241CS](#) [RC1005F2431CS](#)  
[RC1005F3011CS](#) [RC1005F303CS](#) [RC1005F4321CS](#) [RC1005F4642CS](#) [RC1005F471CS](#) [RC1005F4751CS](#) [RC1005F5621CS](#)  
[RC1005F6041CS](#) [RC1005J106CS](#)