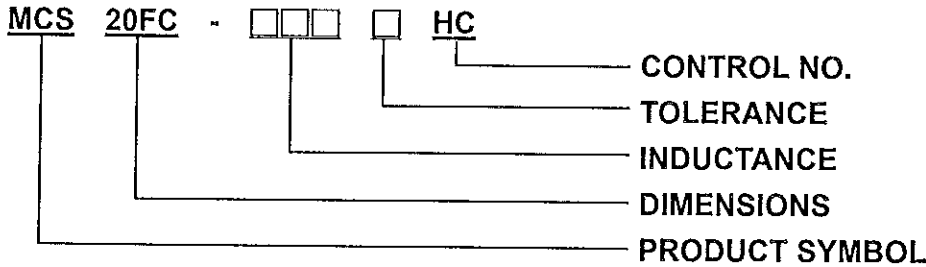


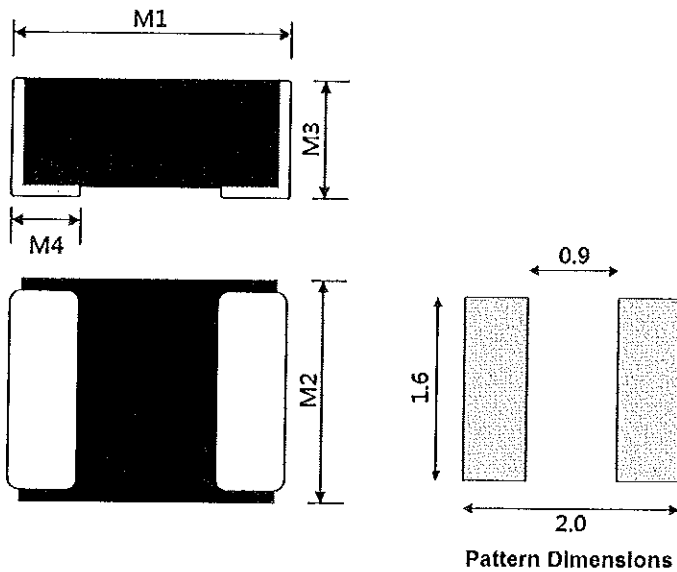
※This is a RoHS and REACH compliant product whose related documents are available on request.

※Graphic is only for dimensionally application.

1. PRODUCT IDENTIFICATION



2. PRODUCT DIMENSION



UNIT: mm

| | DIM. | TOL. |
|----|------|------|
| M1 | 2.0 | ±0.2 |
| M2 | 1.6 | ±0.2 |
| M3 | 1.0 | Max |
| M4 | 0.5 | ±0.3 |

3. ELECTRICAL SPEC.

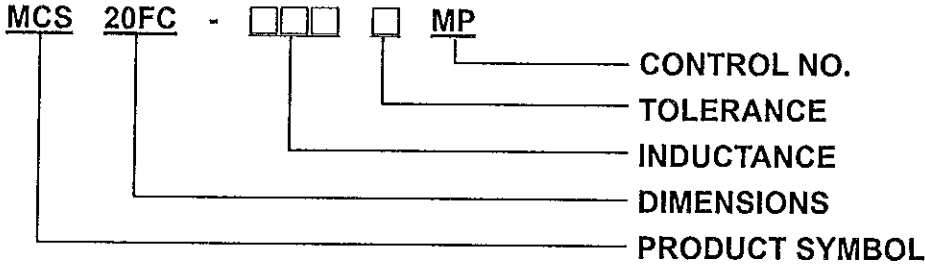
| PART NO. | Inductance (uH) | RDC (mΩ) | | Isat (A) | | Irms (A) | |
|----------------|-----------------|----------|---------|----------|---------|----------|---------|
| | | Typical | Maximum | Typical | Maximum | Typical | Maximum |
| MCS20FC-R47MHC | 0.47 | 23 | 30 | 6.1 | 5.3 | 4.5 | 4.05 |
| MCS20FC-1R0MHC | 1.0 | 48 | 60 | 3.9 | 3.3 | 3.2 | 3.0 |
| MCS20FC-1R5MHC | 1.5 | 86 | 99 | 3.4 | 3.1 | 2.4 | 2.2 |
| MCS20FC-2R2MHC | 2.2 | 117 | 140 | 2.6 | 2.45 | 2.2 | 2.0 |

NOTE:

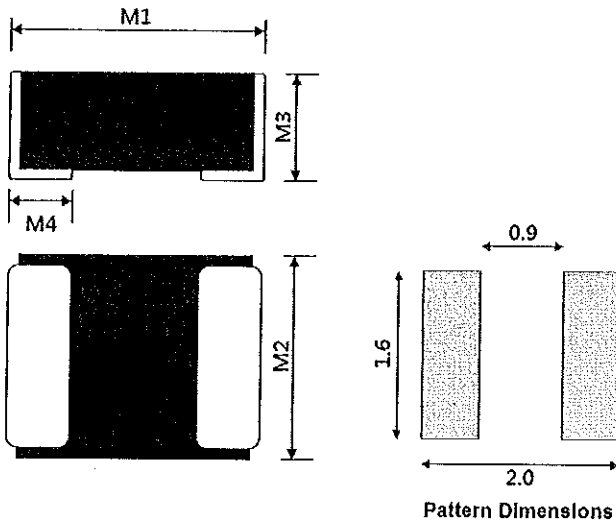
1. Operating Temperature range: -40°C to +125°C
2. Storage Temperature range: -50°C to +125°C
3. Test Frequency: 1MHz/1V
4. All test referenced to 26°C ambient
5. Inductance tolerance ±20%
6. Isat means that DC current will cause a 30% inductance reduction from initial value.
7. Irms means that DC current will cause coil temp. rising to 40°C whichever is smaller.
8. MSL: LEVEL 1

※This is a RoHS and REACH compliant product whose related documents are available on request.
 ※Graphic is only for dimensionally application.

1. PRODUCT IDENTIFICATION



2. PRODUCT DIMENSION



UNIT: mm

| | DIM. | TOL. |
|----|------|------|
| M1 | 2.0 | ±0.2 |
| M2 | 1.6 | ±0.2 |
| M3 | 1.0 | Max |
| M4 | 0.5 | ±0.3 |

3. ELECTRICAL SPEC.

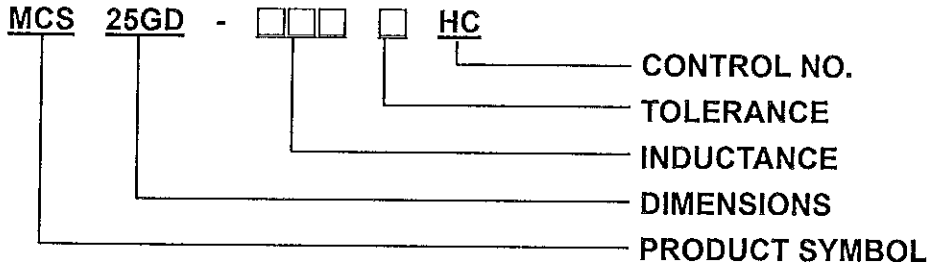
| PART NO. | Inductance (uH) | RDC (mΩ) | | Isat (A) | | Irms (A) | |
|----------------|-----------------|----------|---------|----------|---------|----------|---------|
| | | Typical | Maximum | Typical | Maximum | Typical | Maximum |
| MCS20FC-R24MMP | 0.24 | 17 | 21 | 5.6 | 5.05 | 5.0 | 4.50 |
| MCS20FC-R33MMP | 0.33 | 24 | 29 | 5.0 | 4.50 | 4.1 | 3.69 |
| MCS20FC-R47MMP | 0.47 | 33 | 40 | 4.4 | 4.00 | 3.5 | 3.15 |
| MCS20FC-R68MMP | 0.68 | 41 | 49 | 3.7 | 3.33 | 3.4 | 3.06 |
| MCS20FC-1R0MMP | 1.0 | 60 | 69 | 2.9 | 2.61 | 2.6 | 2.26 |
| MCS20FC-1R5MMP | 1.5 | 114 | 129 | 2.5 | 2.25 | 2.0 | 1.81 |
| MCS20FC-2R2MMP | 2.2 | 135 | 150 | 1.9 | 1.71 | 1.7 | 1.50 |

NOTE:

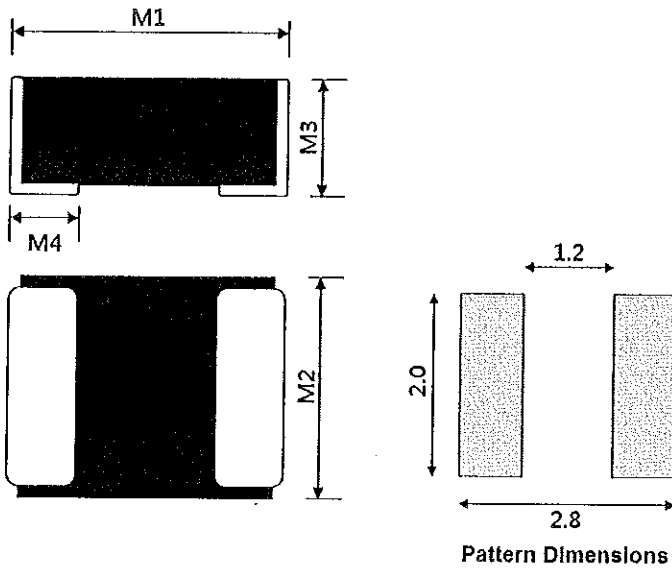
1. Operating Temperature range: -40°C to +125°C
2. Storage Temperature range: -50°C to +125°C
3. Test Frequency: 1MHz/1V
4. All test referenced to 26°C ambient
5. Inductance tolerance ±20%
6. Isat means that DC current will cause a 30% inductance reduction from initial value.
7. Irms means that DC current will cause coil temp. rising to 40°C whichever is smaller.
8. MSL:LEVEL 1

※This is a RoHS and REACH compliant product whose related documents are available on request.
 ※Graphic is only for dimensionally application.

1. PRODUCT IDENTIFICATION



2. PRODUCT DIMENSION



UNIT: mm

| | DIM. | TOL. |
|----|------|------|
| M1 | 2.5 | ±0.2 |
| M2 | 2.0 | ±0.2 |
| M3 | 1.2 | Max |
| M4 | 0.6 | ±0.3 |

3. ELECTRICAL SPEC.

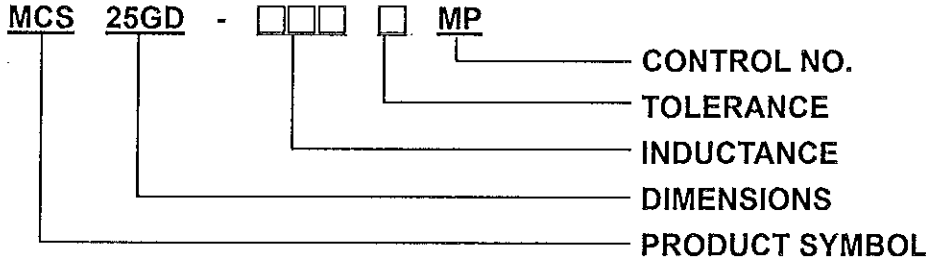
| PART NO. | Inductance (uH) | RDC (mΩ) | | Isat (A) | | Irms (A) | |
|----------------|-----------------|----------|---------|----------|---------|----------|---------|
| | | Typical | Maximum | Typical | Maximum | Typical | Maximum |
| MCS25GD-R47MHC | 0.47 | 16 | 22 | 6.8 | 6.2 | 5.8 | 4.9 |
| MCS25GD-1R0MHC | 1.0 | 36 | 44 | 4.8 | 4.3 | 3.9 | 3.3 |
| MCS25GD-2R2MHC | 2.2 | 74 | 89 | 3.5 | 3.2 | 2.5 | 2.2 |

NOTE:

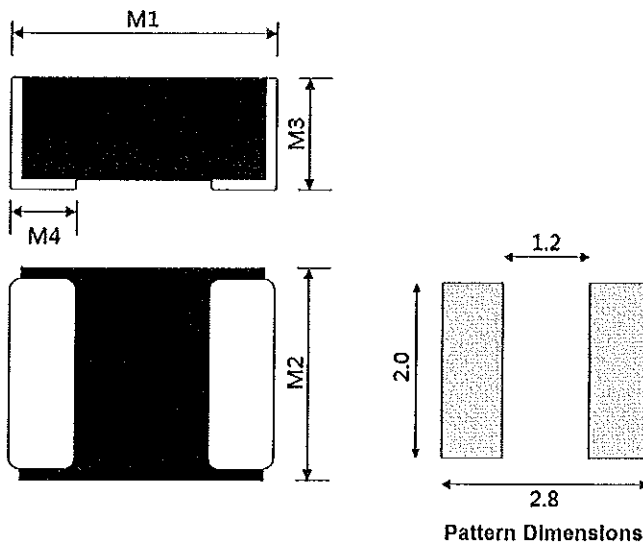
1. Operating Temperature range: -40°C to +125°C
2. Storage Temperature range: -50°C to +125°C
3. Test Frequency: 1MHz/1V
4. All test referenced to 26°C ambient
5. Inductance tolerance ±20%
6. Isat means that DC current will cause a 30% inductance reduction from initial value.
7. Irms means that DC current will cause coil temp. rising to 40°C whichever is smaller.
8. MSL: LEVEL 1

※This is a RoHS and REACH compliant product whose related documents are available on request.
 ※Graphic is only for dimensionally application.

1. PRODUCT IDENTIFICATION



2. PRODUCT DIMENSION



UNIT: mm

| | DIM. | TOL. |
|----|------|------|
| M1 | 2.5 | ±0.2 |
| M2 | 2.0 | ±0.2 |
| M3 | 1.2 | Max |
| M4 | 0.6 | ±0.3 |

3. ELECTRICAL SPEC.

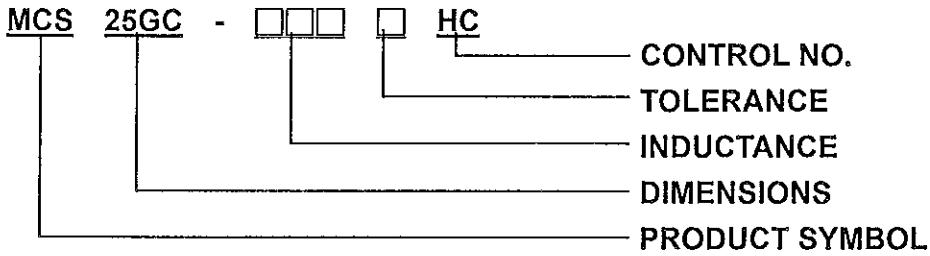
| PART NO. | Inductance (uH) | RDC (mΩ) | | Isat (A) | | Irms (A) | |
|----------------|-----------------|----------|---------|----------|---------|----------|---------|
| | | Typical | Maximum | Typical | Maximum | Typical | Maximum |
| MCS25GD-R47MMP | 0.47 | 21 | 25 | 5.3 | 4.95 | 4.6 | 4.18 |
| MCS25GD-R68MMP | 0.68 | 29 | 35 | 5.0 | 4.63 | 3.7 | 3.36 |
| MCS25GD-1R0MMP | 1.0 | 41 | 49 | 4.4 | 4.04 | 3.5 | 3.18 |
| MCS25GD-1R5MMP | 1.5 | 64 | 77 | 3.2 | 2.91 | 2.5 | 2.27 |
| MCS25GD-2R2MMP | 2.2 | 85 | 98 | 3.0 | 2.73 | 2.27 | 2.06 |
| MCS25GD-4R7MMP | 4.7 | 196 | 235 | 1.9 | 1.58 | 1.61 | 1.40 |

NOTE:

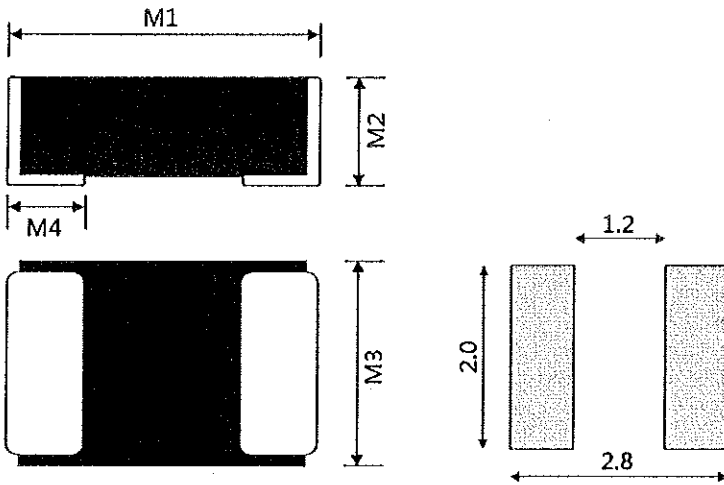
1. Operating Temperature range: -40°C to +125°C
2. Storage Temperature range: -50°C to +125°C
3. Test Frequency: 1MHz/1V
4. All test referenced to 26°C ambient
5. Inductance tolerance ±20%
6. Isat means that DC current will cause a 30% inductance reduction from initial value.
7. Irms means that DC current will cause coil temp. rising to 40°C whichever is smaller.
8. MSL:LEVEL 1

※This is a RoHS and REACH compliant product whose related documents are available on request.
 ※Graphic is only for dimensionally application.

1. PRODUCT IDENTIFICATION



2. PRODUCT DIMENSION



UNIT:mm

| | DIM. | TOL. |
|----|------|------|
| M1 | 2.5 | ±0.2 |
| M2 | 2.0 | ±0.2 |
| M3 | 1.0 | MAX. |
| M4 | 0.6 | ±0.3 |

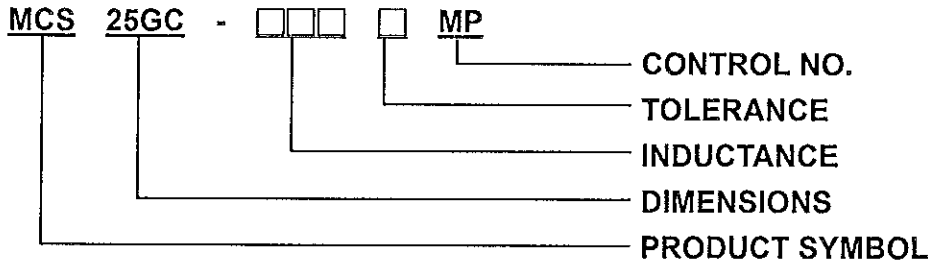
3. ELECTRICAL SPEC.

| PART NO. | Inductance (uH)±20% | DCR mΩ Typical 26°C | DCR mΩ MAX.26°C | Rated Current Typical (A) | I sat Typical (A) |
|----------------|---------------------|---------------------|-----------------|---------------------------|-------------------|
| MCS25GC-R33MHC | 0.33 | 17 | 22 | 5.6 | 7.8 |
| MCS25GC-R47MHC | 0.47 | 23 | 29 | 5.2 | 6.6 |
| MCS25GC-1R0MHC | 1.0 | 41 | 52 | 3.4 | 4.4 |
| MCS25GC-2R2MHC | 2.2 | 88 | 110 | 2.4 | 3.3 |

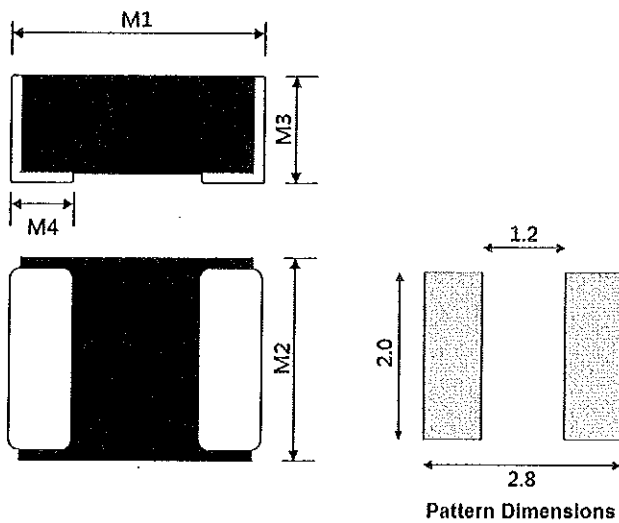
- (1). Test Freq : 1MHz , 1V
- (2). All test referenced to 26°C ambient.
- (3). Operating Temperature range: -40°C to +125°C
- (4). Storage Temperature range: -50°C to +125°C
- (5). Isat means that DC current will cause a 30% inductance reduction from initial value.
- (6). Irms means that DC current will cause coil temp. rising to 40°C whichever is smaller.

※This is a RoHS and REACH compliant product whose related documents are available on request.
 ※Graphic is only for dimensionally application.

1. PRODUCT IDENTIFICATION



2. PRODUCT DIMENSION



UNIT: mm

| | DIM. | TOL. |
|----|------|------|
| M1 | 2.5 | ±0.2 |
| M2 | 2.0 | ±0.2 |
| M3 | 1.0 | Max |
| M4 | 0.6 | ±0.3 |

3. ELECTRICAL SPEC.

| PART NO. | Inductance (uH) | RDC (mΩ) | | Isat (A) | | Irms (A) | |
|----------------|-----------------|----------|---------|----------|---------|----------|---------|
| | | Typical | Maximum | Typical | Maximum | Typical | Maximum |
| MCS25GC-R22MMP | 0.22 | 9 | 12.5 | 7.9 | 7.2 | 5.9 | 5.3 |
| MCS25GC-R33MMP | 0.33 | 21 | 26 | 6.6 | 6.0 | 4.4 | 4.0 |
| MCS25GC-R47MMP | 0.47 | 27 | 32 | 5.0 | 4.5 | 3.9 | 3.51 |
| MCS25GC-R68MMP | 0.68 | 37 | 44 | 4.3 | 3.87 | 3.4 | 3.06 |
| MCS25GC-1R0MMP | 1.0 | 45 | 54 | 3.5 | 3.15 | 3.0 | 2.70 |
| MCS25GC-1R5MMP | 1.5 | 76 | 91 | 2.6 | 2.34 | 2.5 | 2.25 |
| MCS25GC-2R2MMP | 2.2 | 99 | 119 | 2.4 | 2.16 | 2.3 | 2.07 |
| MCS25GC-4R7MMP | 4.7 | 220 | 262 | 1.8 | 1.62 | 1.36 | 1.22 |

NOTE:

1. Operating Temperature range: -40°C to +125°C
2. Storage Temperature range: -50°C to +125°C
3. Test Frequency: 1MHz/1V
4. All test referenced to 26°C ambient
5. Inductance tolerance ±20%
6. Isat means that DC current will cause a 30% inductance reduction from initial value.
7. Irms means that DC current will cause coil temp. rising to 40°C whichever is smaller.
8. MSL: LEVEL 1

X-ON Electronics

Largest Supplier of Electrical and Electronic Components

Click to view similar products for [Fixed Inductors](#) category:

Click to view products by [Prosperity](#) manufacturer:

Other Similar products are found below :

[MLZ1608M6R8WTD25](#) [MLZ1608N6R8LT000](#) [MLZ1608N3R3LTD25](#) [MLZ1608N3R3LT000](#) [MLZ1608N150LT000](#)
[MLZ1608M150WTD25](#) [MLZ1608M3R3WTD25](#) [MLZ1608M3R3WT000](#) [MLZ1608M150WT000](#) [MLZ1608A1R5WT000](#)
[MLZ1608N1R5LT000](#) [B82432C1333K000](#) [PCMB053T-1R0MS](#) [PCMB053T-1R5MS](#) [PCMB104T-1R5MS](#) [CR32NP-100KC](#) [CR32NP-151KC](#) [CR32NP-180KC](#) [CR32NP-181KC](#) [CR32NP-1R5MC](#) [CR32NP-390KC](#) [CR32NP-3R9MC](#) [CR32NP-680KC](#) [CR32NP-820KC](#)
[CR32NP-8R2MC](#) [CR43NP-390KC](#) [CR43NP-560KC](#) [CR43NP-680KC](#) [CR54NP-181KC](#) [CR54NP-470LC](#) [CR54NP-820KC](#) [CR54NP-8R5MC](#)
[MGDQ4-00004-P](#) [MGDU1-00016-P](#) [MHL1ECTTP18NJ](#) [MHL1JCTTD12NJ](#) [PE-51506NL](#) [PE-53601NL](#) [PE-53630NL](#) [PE-53824SNLT](#) [PE-62892NL](#) [PE-92100NL](#) [PG0434.801NLT](#) [PG0936.113NLT](#) [PM06-2N7](#) [PM06-39NJ](#) [HC2LP-R47-R](#) [HC2-R47-R](#) [HC3-2R2-R](#) [HC8-1R2-R](#)