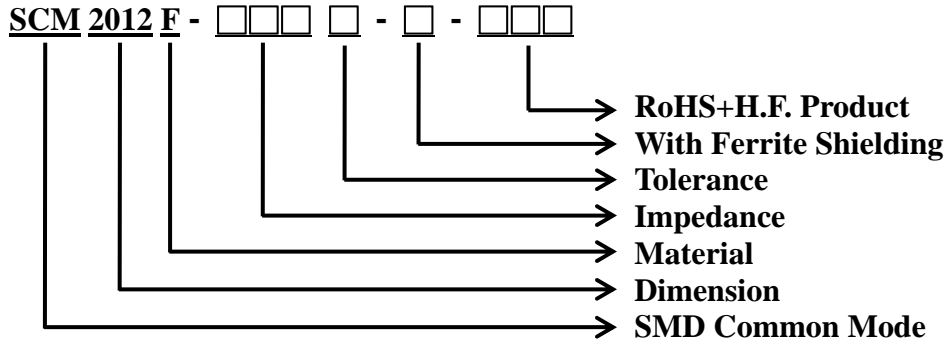


SPECIFICATION FOR APPROVAL

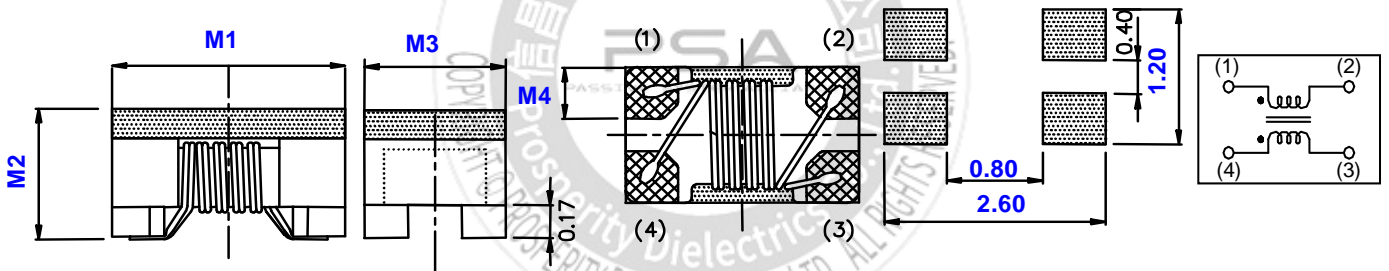
- ※This is a RoHS and REACH compliant product whose related documents are available on request.
- ※Graphic is only for dimensionally application.

1. SCOPE: THIS SPECIFICATION APPLIES TO WIRE WOUND CHIP INDUCTORS.

2. PART NUMBER IDENTIFICATION



3. MECHANICAL DIMENSION



SERIES	M1	M2	M3	M4
SCM2012F-XXXM-I-LRH	2.0±0.2	1.20±0.2	1.20±0.2	0.40(TYP.)

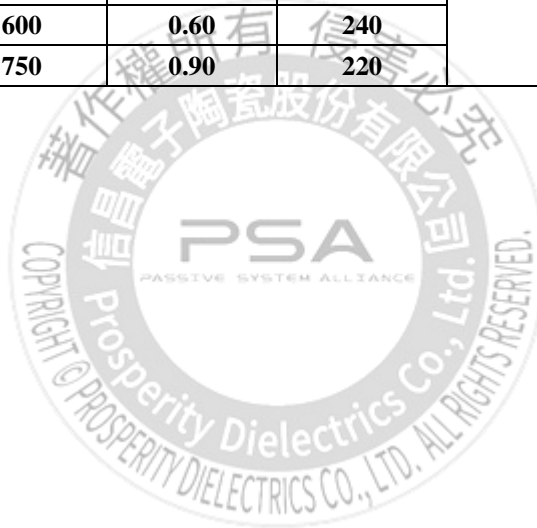
4. RATING TEMPERATURE

OPERATING TEMPERATURE RANGE: -25°C ~ +125°C

SPECIFICATION FOR APPROVAL

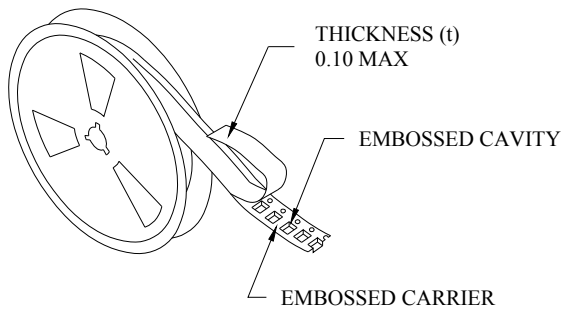
5. ELECTRICAL SPECIFICATION

Part number	Z (OHM) @100MHz ±20 %	DC Resistance (OHM) MAX.	RATE CURRENT (mA)	Rated Voltage (Vdc)	Withstand Voltage (Vdc)	Insulation Resistance @125VDC (MOHM) min.
SCM2012F-670M-I-LRH	67	0.25	400	50	125	10
SCM2012F-750M-I-LRH	75	0.30	400			
SCM2012F-900M-I-LRH	90	0.35	330			
SCM2012F-101M-I-LRH	100	0.35	330			
SCM2012F-121M-I-LRH	120	0.30	370			
SCM2012F-161M-I-LRH	160	0.35	350			
SCM2012F-181M-I-LRH	180	0.35	330			
SCM2012F-201M-I-LRH	200	0.40	300			
SCM2012F-221M-I-LRH	220	0.40	300			
SCM2012F-261M-I-LRH	260	0.40	300			
SCM2012F-361M-I-LRH	360	0.50	300			
SCM2012F-371M-I-LRH	370	0.45	280			
SCM2012F-431M-I-LRH	430	0.55	280			
SCM2012F-601M-I-LRH	600	0.60	240			
SCM2012F-751M-I-LRH	750	0.90	220			

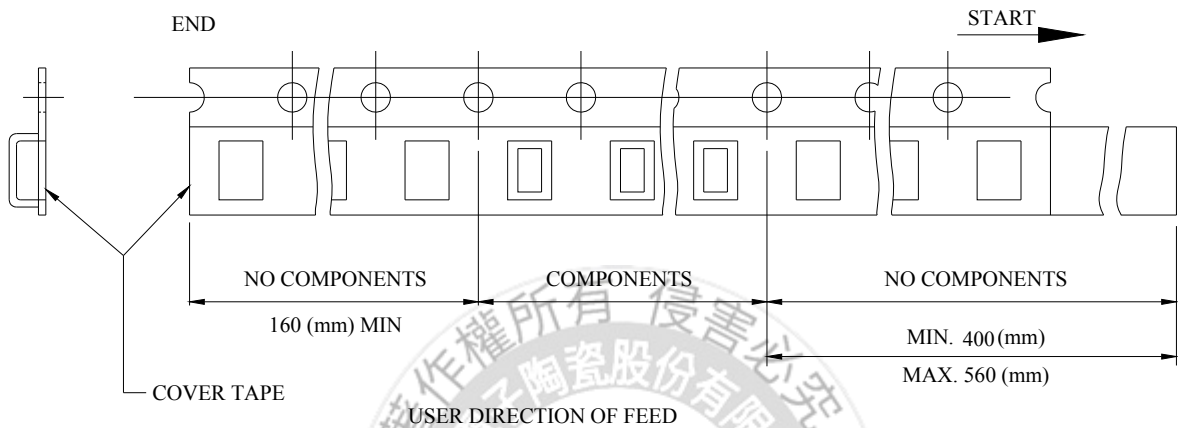
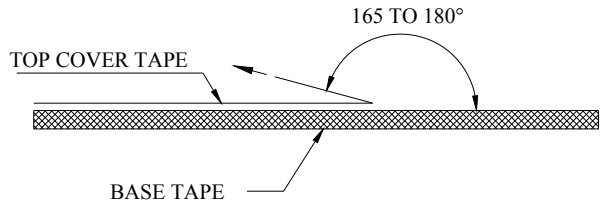


SPECIFICATION FOR APPROVAL

6. PACKING

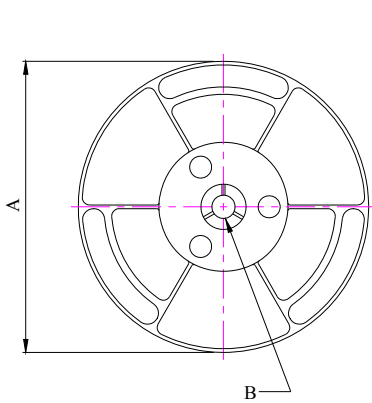


- THE FORCE FOR TEARING OFF COVER TAPE IS 10 TO 100 GRAMS IN THE ARROW DIRECTION.

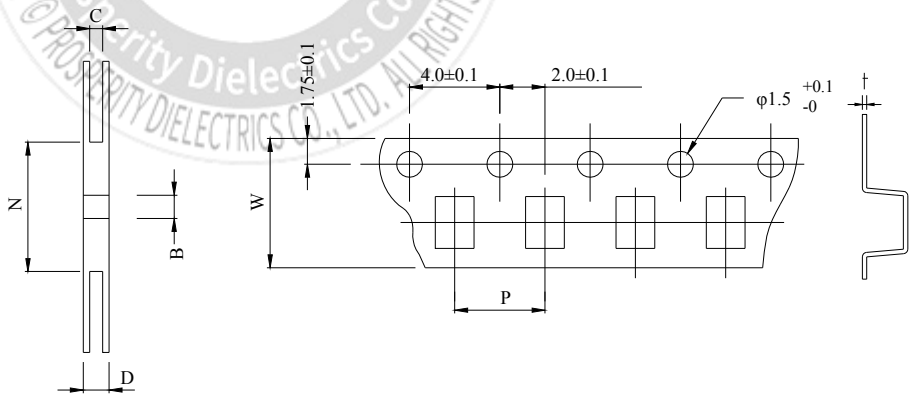


■ CARRIER TAPE REELS (mm)

MATERIAL: PLASTIC



■ DIMENSIONS OF CARRIER TAPE (mm)

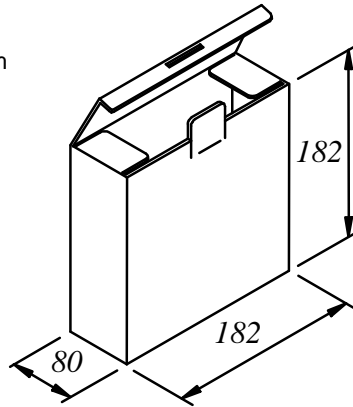


UNIT: mm

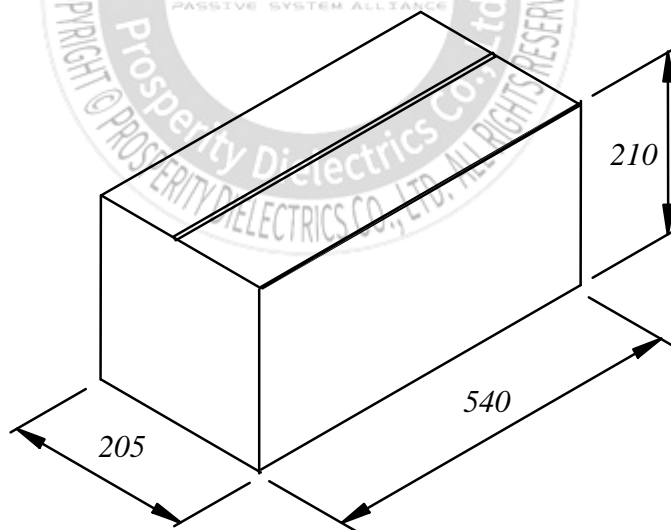
	A	B	C	D	N	P	W	t
DIM.	178	13.0	8.4	12.5	75	4.0	8.00	0.23
TOL.	±2.0	±0.8	+1.0-0	MAX	±1.5	±0.10	±0.20	±0.05

SPECIFICATION FOR APPROVAL

UNIT : mm



- CONSTRUCTION:
THE CASE CONTAINS 5-8mm WIDE CARRIER TAPES.
Q'TY : 2,000 / REEL



TOTAL Q'TY : 60,000PCS

X-ON Electronics

Largest Supplier of Electrical and Electronic Components

Click to view similar products for [Common Mode Chokes / Filters](#) category:

Click to view products by [Prosperity](#) manufacturer:

Other Similar products are found below :

[PE-64683](#) [RD5122-6-9M6](#) [ST6118T-R](#) [FE3X025-10-7NL](#) [T8114NLT](#) [TCM0806G-350-2P-T](#) [TCM0806G-650-2P-T](#) [IND-0110](#)
[UAL21VR0802000](#) [UALSC023000000](#) [UALSC1020JH000](#) [UALSU10VD20010](#) [UALSU9VD070100](#) [36-00037](#) [CM7060M132R-10](#)
[UALW21HS072450](#) [UALSU9H0208000](#) [UAL24VK06450CH](#) [PLT10HH501100PNB](#) [PLT10HH401100PNB](#) [PLT10HH1026R0PNB](#) [36-](#)
[00029-01](#) [PE-67531](#) [TLH10UB](#) [113 OR5](#) [2752045447](#) [CM8663Z161B-10](#) [7351V](#) [CMF16-153131](#) [T8116NLT](#) [CMS2-10-R](#) [FE2X10-4-2NL](#)
[T8003NLT](#) [CTX01-13663](#) [CTX66-19521-R](#) [RC212-0.5-10M](#) [RC112-0.4-15M](#) [RC212-0.6-6M8](#) [RC212-0.4-15M](#) [RC112-0.3-30M](#) [4534-3](#)
[WTCF2012Z0M751PB](#) [PH9408.814NLT](#) [B82498B3221J000](#) [PAC6006.364NLT](#) [PAC6006.444NLT](#) [PAC6006.204NLT](#) [PH9407.204NLT](#)
[PAC6006.264NLT](#) [PH9408.105NLT](#) [PH9408.494NLT](#)