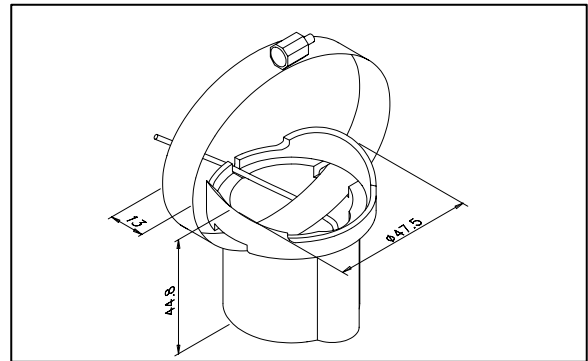




Dimensions: dimensions are in mm



Specification

200LM450	Transceiver
Center Frequency	200±10.0Khz
Bandwidth (FOM -6dB)	25Khz
Transmitting Sound Pressure Level	160dB min.
0dB re 1µPa per 1Vrms at 100cm	
Receiving Sensitivity	-180dB min.
0dB = 1 volt/µPa	
Submerged Impedance (Ohm)	200
Capacitance at 1Khz	±20% 2000 pF
Input Power (Pulse Drive)	50 Watts
Total Beam Angle	-6dB 20°
Cable Length	4.5 m
Molded Connector	RCA Phono plug 90°
Housing Material	Plastic resin

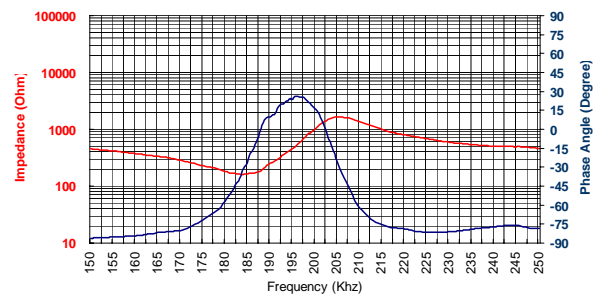
Closer frequency tolerance, shorter ringing and wider bandwidth models can be supplied upon request.

Model available:

1	200LM450	Plastic Housing
---	----------	-----------------

Submerged Impedance/Phase Angle vs. Frequency

Tested under 1Vrms Oscillation Level



Receiving /Transmitting Sensitivity

Tested at distance of 100cm

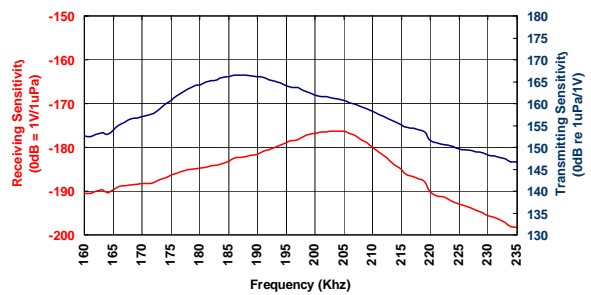
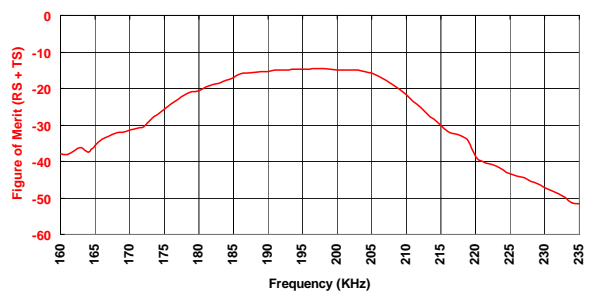


Figure of Merit

(Receiving Sensitivity + Transmitting Sensitivity)



X-ON Electronics

Largest Supplier of Electrical and Electronic Components

Click to view similar products for [Speakers & Transducers](#) category:

Click to view products by [Pro-Wave Electronics](#) manufacturer:

Other Similar products are found below :

[FC-30814-P127](#) [AS02832MR-2-R](#) [PB-1220PE](#) [PB-2015PQ](#) [SWFK-31736-000](#) [PT-2065FW](#) [PT-4175W](#) [PB-0927PQ](#) [MBS 3000-1811-A1AB08-0](#) [SMS2020-08H4.5 LF](#) [BDT1717-08H6.5W56MLF](#) [AS03608MR-LW100-R](#) [SP570445-4](#) [GSPK5010TN-4R2W](#) [GSPK5010TN-4R3W](#) [KLJ-1504R8W0.5-L44](#) [FS7423NB0430-H10.0](#) [FS50DS0430-H12.7 PEI](#) [FS3511NB0808-H6.7-R01](#) [FS66W04100-H31](#) [FS45DS0880-H24.8-R02](#) [FS32NS0820-H5.8-R01](#) [FS2112NB0807-H7.0-R01](#) [FS50DS0430-H13.3-R24](#) [FS3411P08-H4.0](#) [FS26NS0820-H4.9-R01](#) [FS14430NB0880-H30-R01](#) [FS5835DS0850-H19.4-R01](#) [FS2011NB0807-H3.9-R01](#) [FS28DS0820-H9.4-R01](#) [FS66W0850-H22](#) [FS40DS0830-H11.2-P2.0-L100](#) [FS28DS0830-H15.3](#) [FS102W0480-H35](#) [FS3525NS0820-H5.5-R01](#) [FS5035NB0820-H26.8-R01](#) [FS27DS0830-H10.8-R01](#) [FS3915NB0808-H11.5-R01](#) [FS3020NB0808-H4.0-R01](#) [FS3616NB0808-H10-R01](#) [FS3514NB0808-H6.0-R01](#) [FS40DS0450-H18.3](#) [FS77W0450-H23.5](#) [FS77W0850-H25.5](#) [FS78W0850-H34](#) [FS102W04200-H40](#) [FS3411P04-H4.0](#) [FS3232NB0820-H15.3-R01](#) [FS50DS0830-H12.7 PEI](#) [FS5630NB0830-H9.4-R01](#)