

PE42452

**UltraCMOS® SP5T RF Switch
450–4000 MHz**

Product Description

The PE42452 is a HaRP™ technology-enhanced absorptive SP5T RF switch designed for use in 3G/4G wireless infrastructure and other high performance RF applications.

This switch is a pin-compatible upgraded version of the PE42451 with 1.8V control logic. It is comprised of five symmetric RF ports and has very high isolation. An integrated CMOS decoder facilitates a three-pin low voltage CMOS control interface and an external negative supply option. In addition, no external blocking capacitors are required if 0V DC is present on the RF ports.

The PE42452 is manufactured on Peregrine's UltraCMOS® process, a patented variation of silicon-on-insulator (SOI) technology on a sapphire substrate.

Peregrine's HaRP™ technology enhancements deliver high linearity and excellent harmonics performance. It is an innovative feature of the UltraCMOS® process, offering the performance of GaAs with the economy and integration of conventional CMOS.

Features

- Five symmetric, absorptive RF ports
- High isolation
 - 61 dB @ 900 MHz
 - 55 dB @ 2100 MHz
 - 52 dB @ 2700 MHz
 - 44 dB @ 4000 MHz
- High linearity
 - IIP2 of 96 dBm
 - IIP3 of 57 dBm
- 1.8V control logic compatible
- 105°C operating temperature
- Fast switching time of 265 ns
- Three pin CMOS logic control
- External negative supply option
- ESD performance
 - 4kV HBM on RF pins to GND
 - 1.5kV HBM on all pins

Figure 1. Functional Diagram

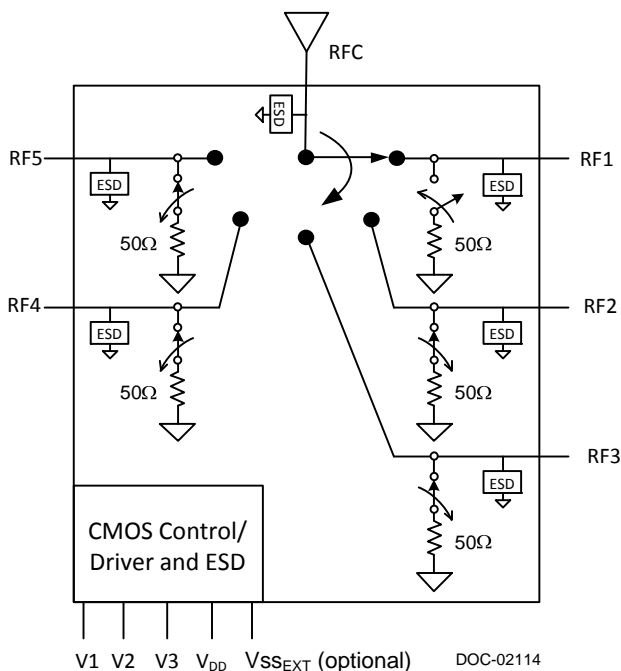


Figure 2. Package Type
24-lead 4x4 mm QFN



Table 1. Electrical Specifications @ 25°C ($Z_S = Z_L = 50\Omega$) unless otherwise noted
Normal mode¹: $V_{DD} = 3.3V$, $V_{SS_{EXT}} = 0V$ or Bypass mode²: $V_{DD} = 3.3V$, $V_{SS_{EXT}} = -3.3V$

Parameter	Path	Condition	Min	Typ	Max	Unit
Operating frequency			450		4000	MHz
Insertion loss	RFC–RFX	450 MHz–900 MHz		0.95	1.15	dB
		900 MHz–2100 MHz		1.15	1.35	dB
		2100 MHz–2700 MHz		1.30	1.55	dB
		2700 MHz–4000 MHz		1.60	1.90	dB
Isolation	RFC–RFX	450 MHz–900 MHz	56	61		dB
		900 MHz–2100 MHz	52	55		dB
		2100 MHz–2700 MHz	49	52		dB
		2700 MHz–4000 MHz	41	44		dB
Isolation	RFX–RFX	450 MHz–900 MHz	56	60		dB
		900 MHz–2100 MHz	51	53		dB
		2100 MHz–2700 MHz	49	52		dB
		2700 MHz–4000 MHz	41	42		dB
Return loss (active port)	RFX	450–4000 MHz		16		dB
Return loss (terminated port)	RFX	450–4000 MHz		23		dB
Input 0.1 dB compression point ³	RFC–RFX	1950 MHz		35		dBm
Input IP2	RFC–RFX	1950 MHz		96		dBm
Input IP3	RFC–RFX	1950 MHz		57		dBm
Switching time		50% control to 10% or 90% RF		265	345	ns

Notes: 1. Normal mode: single external positive supply used

2. Bypass mode: both external positive supply and external negative supply used

3. The input 0.1 dB compression point is a linearity figure of merit. Refer to *Table 3* for the operating RF input power (50Ω)

Figure 3. Pin Configuration (Top View)

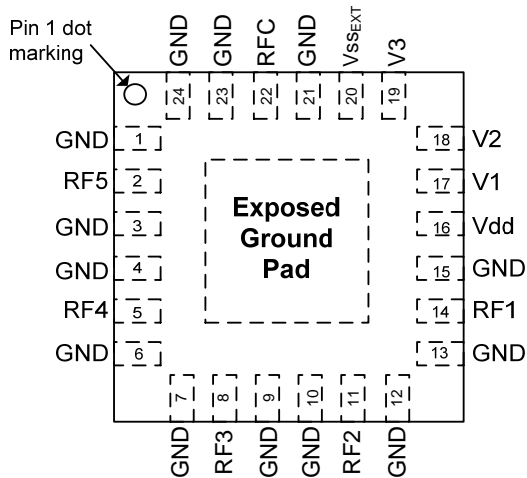


Table 2. Pin Descriptions

Pin #	Name	Description
1, 3, 4, 6, 7, 9, 10, 12, 13, 15, 21, 23, 24	GND	Ground
2	RF5 ¹	RF port 5
5	RF4 ¹	RF port 4
8	RF3 ¹	RF port 3
11	RF2 ¹	RF port 2
14	RF1 ¹	RF port 1
16	V _{DD}	Supply voltage
17	V1	Digital control logic input 1
18	V2	Digital control logic input 2
19	V3	Digital control logic input 3
20	V _{SS_EXT} ²	External V _{ss} negative voltage control/ground
22	RFC ¹	RF common
Pad	GND	Exposed pad: Ground for proper operation

Notes: 1. RF pins 2, 5, 8, 11, 14, and 22 must be at 0V DC. The RF pins do not require DC blocking capacitors for proper operation if the 0V DC requirement is met
2. Use V_{SS_EXT} (pin 20, refer to Table 3) to bypass and disable internal negative voltage generator. Connect V_{SS_EXT} (pin 20, V_{SS_EXT} = GND) to enable internal negative voltage generator

Table 3. Operating Ranges

Parameter	Symbol	Min	Typ	Max	Unit
Normal mode ¹					
Supply voltage	V _{DD}	2.3		5.5	V
Supply current	I _{DD}		110		μA
Bypass mode ²					
Supply voltage	V _{DD}	2.7		5.5	V
Supply current	I _{DD}		50		μA
Negative supply voltage	V _{SS_EXT}	-3.6		-3.2	V
Normal or Bypass mode					
Digital input high (V1, V2, V3)	V _{IH}	1.17		3.6	V
Digital input low (V1, V2, V3)	V _{IL}	-0.3		0.6	V
Digital input current ³	I _{CTRL}			1	μA
RF input power, CW	P _{MAX,CW}			33	dBm
RF input power into terminated ports, CW	P _{MAX,TERM}			24	dBm
Operating temperature range	T _{OP}	-40		+105	°C

Notes: 1. Normal mode: connect pin 20 to GND to enable internal negative voltage generator
2. Bypass mode: apply a negative voltage to V_{SS_EXT} (pin 20) to bypass and disable internal negative voltage generator
3. The pull-down resistor in the EVK schematic may increase control current

Table 4. Absolute Maximum Ratings

Parameter/Condition	Symbol	Min	Max	Unit
Supply voltage	V _{DD}	-0.3	5.5	V
Voltage on any DC input	V _I	-0.3	3.6	V
Maximum input power	P _{MAX,ABS}		34	dBm
Storage temperature range	T _{ST}	-60	+150	°C
ESD voltage HBM ¹ All pins RF pins to ground	V _{ESD,HBM}		1500 4000	V V
ESD voltage MM ² , all pins	V _{ESD,MM}		100	V
ESD voltage CDM ³ , all pins	V _{ESD,CDM}		500	V

Notes: 1. Human Body Model (MIL-STD 883 Method 3015)
2. Machine Model (JEDEC JESD22-A115)
3. Charged Device Model (JEDEC JESD22-C101D)

Exceeding absolute maximum ratings may cause permanent damage. Operation should be restricted to the limits in the Operating Ranges table. Operation between operating range maximum and absolute maximum for extended periods may reduce reliability.

Electrostatic Discharge (ESD) Precautions

When handling this UltraCMOS[®] device, observe the same precautions that you would use with other ESD-sensitive devices. Although this device contains circuitry to protect it from damage due to ESD, precautions should be taken to avoid exceeding the rating specified.

Latch-Up Avoidance

Unlike conventional CMOS devices, UltraCMOS[®] devices are immune to latch-up.

Switching Frequency

The PE42452 has a maximum 25 kHz switching rate in normal mode (pin 20 = GND). A faster switching rate is available in bypass mode (pin 20 = V_{SS}EXT). The rate at which the PE42452 can be switched is then limited to the switching time as specified in *Table 1*.

Switching frequency describes the time duration between switching events. Switching time is the time duration between the point the control signal reaches 50% of the final value and the point the output signal reaches within 10% or 90% of its target value.

Moisture Sensitivity Level

The Moisture Sensitivity Level rating for the PE42452 in the 24-lead 4x4 QFN package is MSL1.

Table 5. Truth Table

Mode	V3	V2	V1
All off	0	0	0
RF1 on	0	0	1
RF2 on	0	1	0
RF3 on	0	1	1
RF4 on	1	0	0
RF5 on	1	0	1
All off	1	1	0
Unsupported	1	1	1

Note: Logic State 111 is unsupported and should not be used under any operating conditions

Optional External V_{SS} Control (V_{SS}EXT)

For applications that require a faster switching rate or spur-free performance, this part can be operated in bypass mode. Bypass mode requires an external negative voltage in addition to an external V_{DD} supply voltage.

As specified in *Table 3*, the external negative voltage (V_{SS}EXT) when applied to pin 20 will disable and bypass the internal negative voltage generator.

Spurious Performance

The typical low-frequency spurious performance of the PE42452 in normal mode is -120 dBm (pin 20 = GND). If spur-free performance is desired, the internal negative voltage generator can be disabled by applying a negative voltage to V_{SS}EXT (pin 20).

Typical Performance Data @ 25°C and $V_{DD} = 3.3V$ unless otherwise noted

Figure 4. Insertion Loss (All Paths)

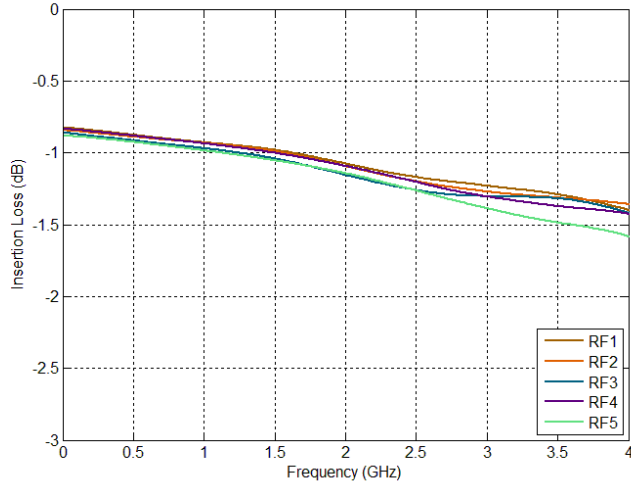


Figure 5. Insertion Loss vs Temp (RFC-RFX)

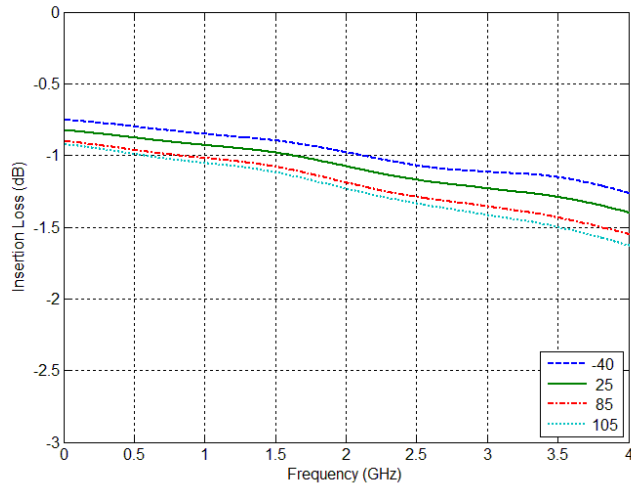
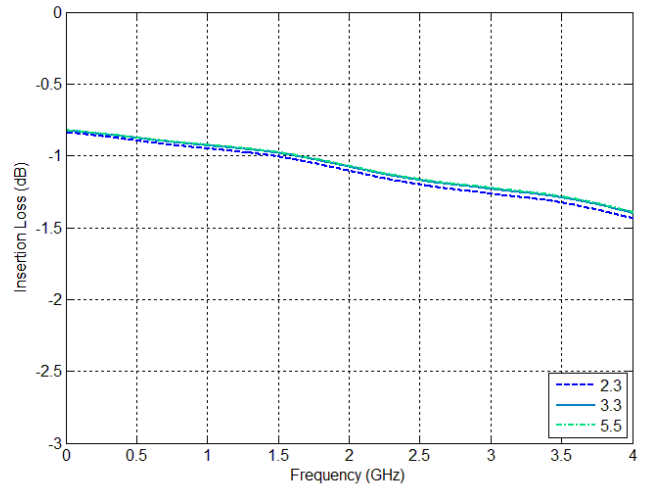


Figure 6. Insertion Loss vs V_{DD} (RFC-RFX)



Typical Performance Data @ 25°C and $V_{DD} = 3.3V$ unless otherwise noted

Figure 7. Isolation vs Temp (RFC–RFX)

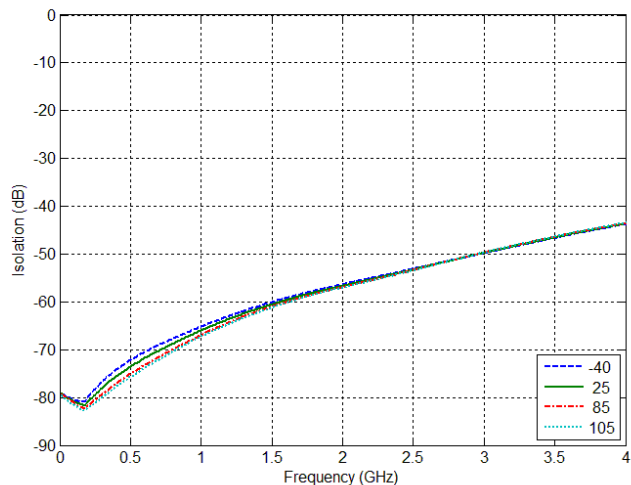


Figure 8. Isolation vs V_{DD} (RFC–RFX)

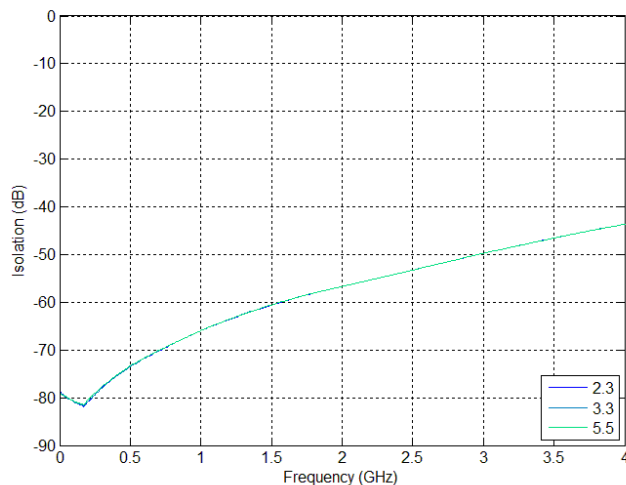


Figure 9. Isolation vs Temp (RFX–RFX)

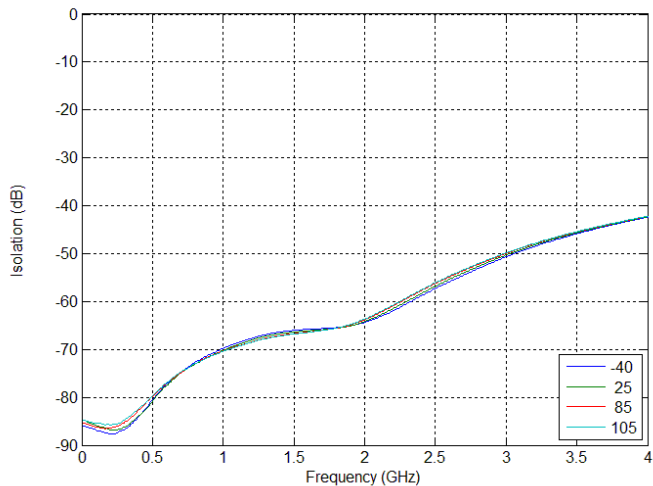
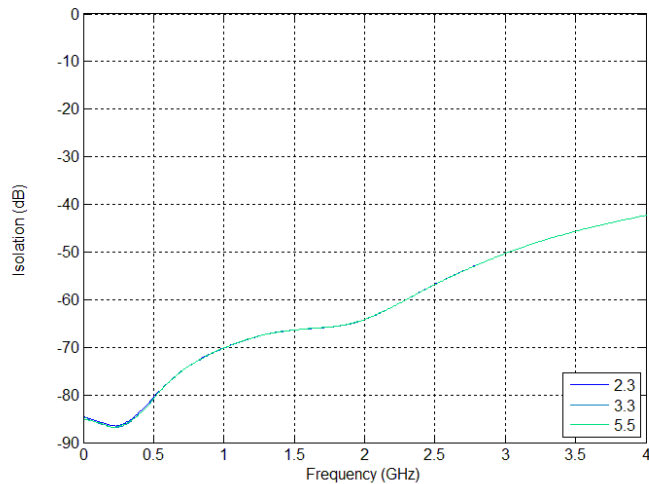


Figure 10. Isolation vs V_{DD} (RFX–RFX)



Typical Performance Data @ 25°C and $V_{DD} = 3.3V$ unless otherwise noted

Figure 11. Active Port Return Loss vs Temp

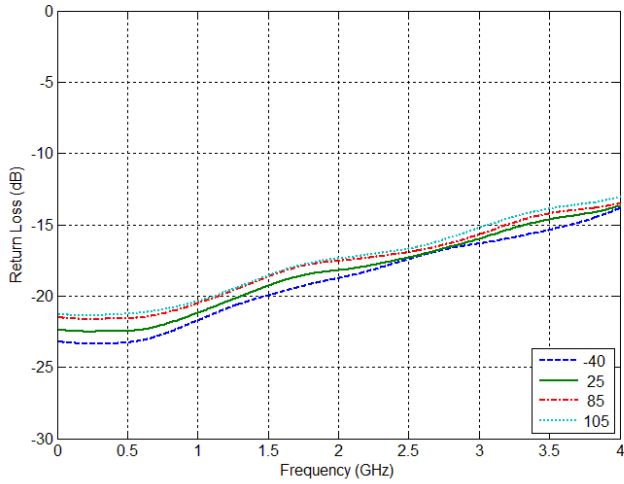


Figure 12. Active Port Return Loss vs V_{DD}

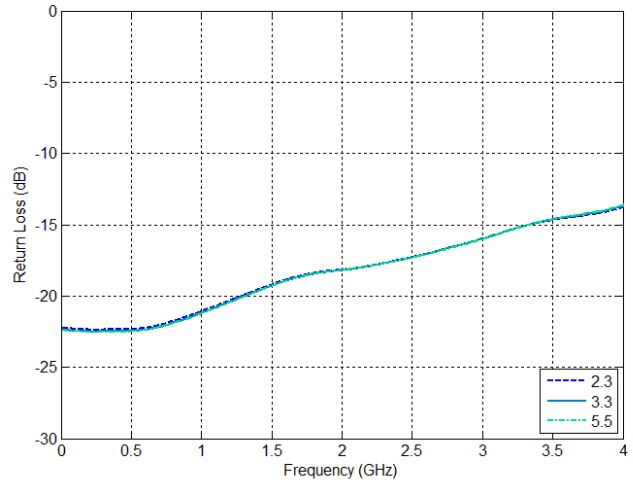


Figure 13. RFC Port Return Loss vs Temp

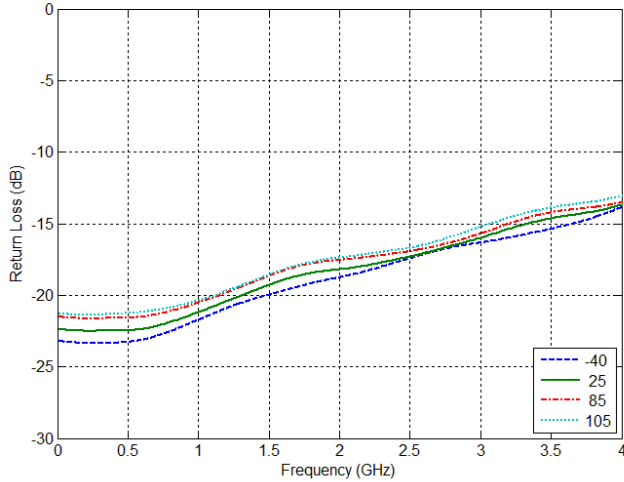


Figure 14. RFC Port Return Loss vs V_{DD}

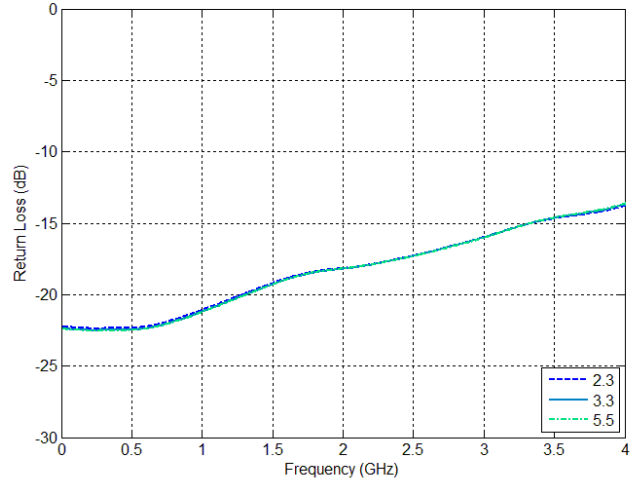


Figure 15. Return Loss (All Ports Terminated)

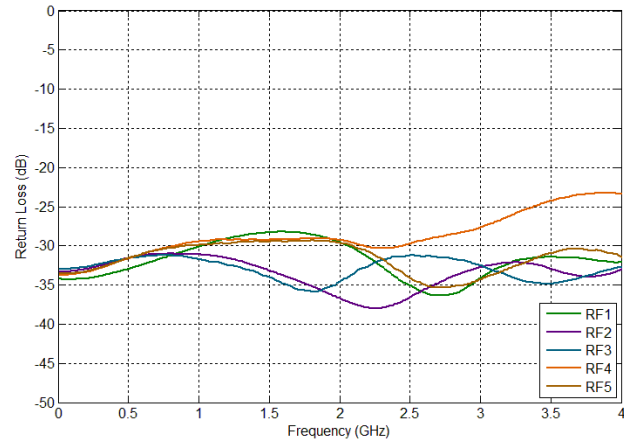
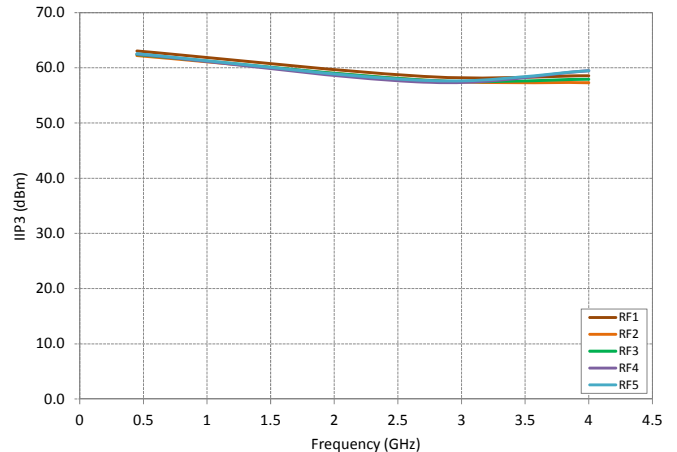


Figure 16. IIP3 vs Frequency

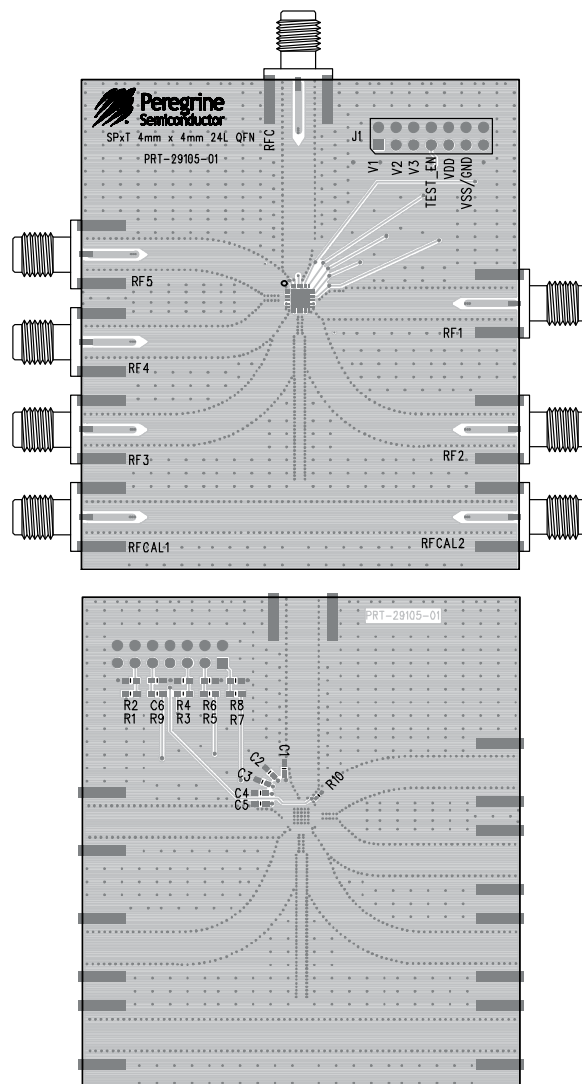


Evaluation Kit

The SP5T switch Evaluation Board was designed to ease customer evaluation of Peregrine's PE42452. The RF common port is connected through a 50Ω transmission line via the top SMA connector. RF1, RF2, RF3, RF4 and RF5 are connected through 50Ω transmission lines via side SMA connectors. A through 50Ω transmission is available via SMA connectors RFCAL1 and RFCAL2. This transmission line can be used to estimate the loss of the PCB over the environmental conditions being evaluated.

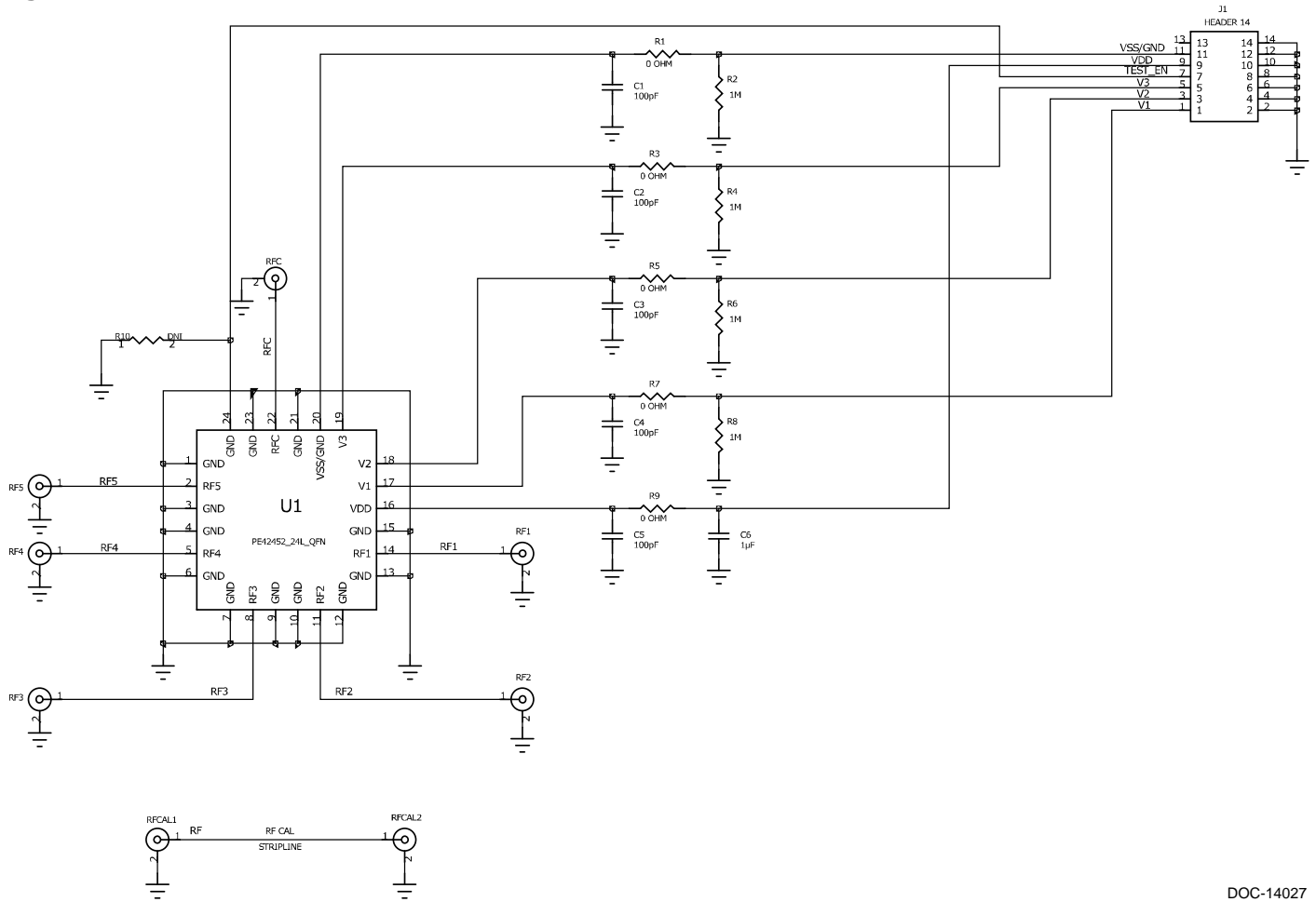
The EVK board is constructed with four metal layers on dielectric materials of Rogers 4003C and 4450 with a total thickness of 32 mils. Layer 1 and layer 3 provide ground for the 50Ω transmission lines. The 50Ω transmission lines are designed in layer 2 for high isolation purpose and use a stripline waveguide design with a trace width of 9.4 mils and trace metal thickness of 1.8 mils. The board stack up for 50 ohm transmission lines has 8 mil thickness of Rogers 4003C between layer 1 and layer 2, and 10 mil thickness of Rogers 4450 between layer 2 and layer 3. Please consult manufacturer's guidelines for proper board material properties in your application. The PCB should be designed in such a way that RF transmission lines and sensitive DC I/O traces such as $V_{SS_{EXT}}$ are heavily isolated from one another, otherwise the true performance of the PE42452 will not be yielded.

Figure 17. Evaluation Board Layout



PRT-29105

Figure 18. Evaluation Board Schematic



DOC-14027

Figure 19. Package Drawing
24-lead 4x4 mm QFN

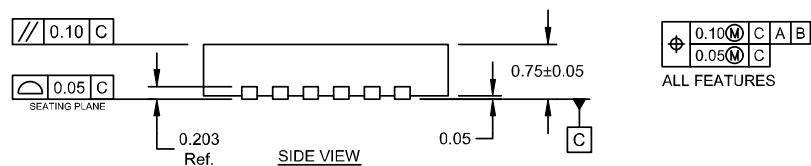
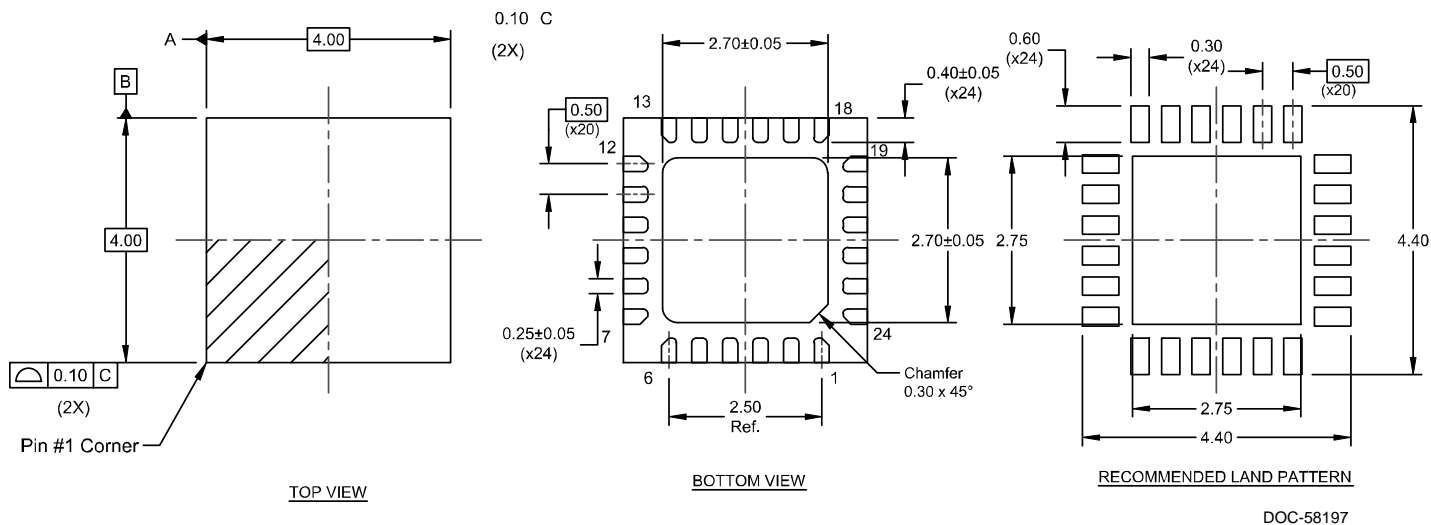
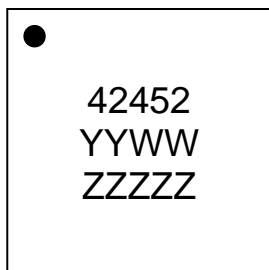


Figure 20. Marking Specifications



DOC-51207

- = Pin 1 designator
- YYWW = Date code
- ZZZZZ = Last five digits of the lot number

Figure 21. Tape and Reel Drawing

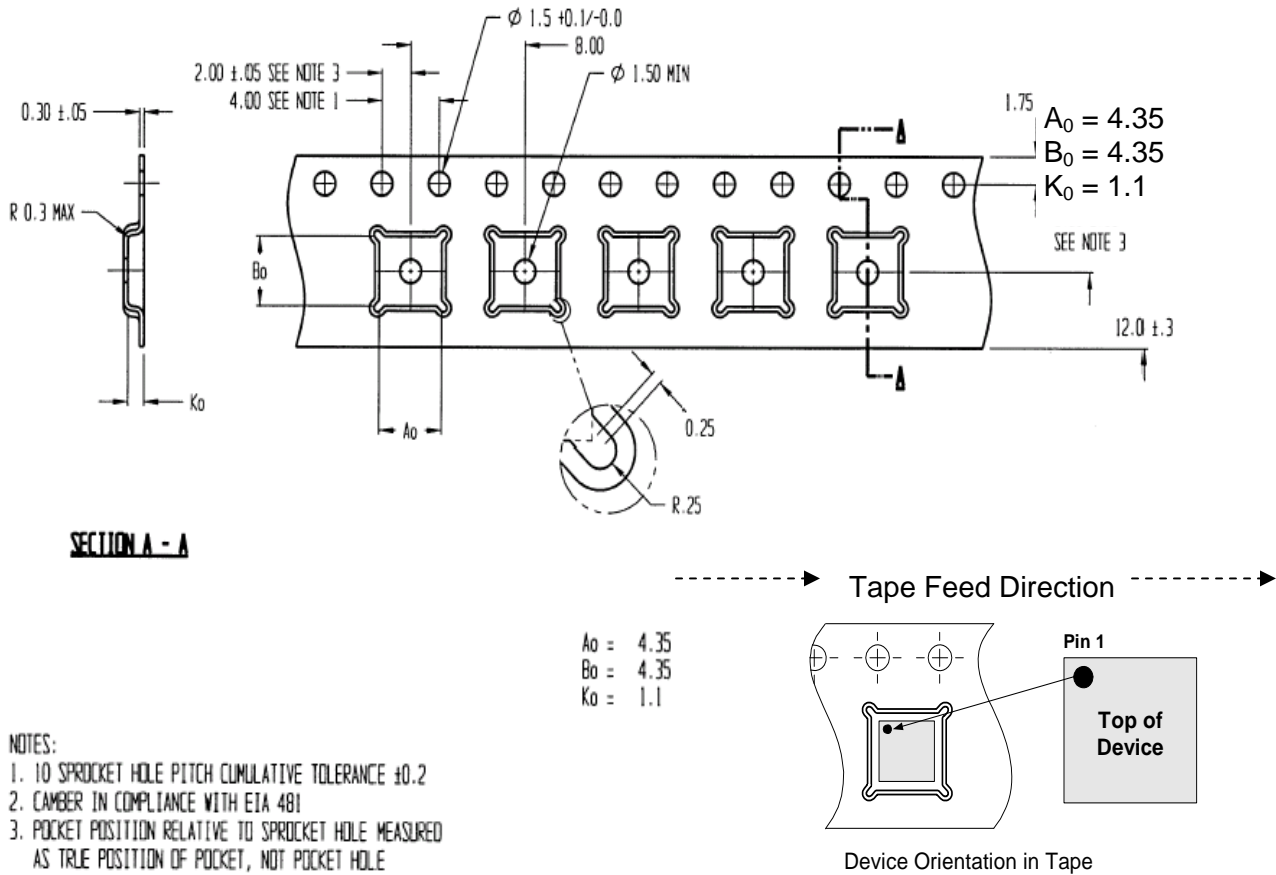


Table 6. Ordering Information

Ordering Code	Description	Package	Shipping Method
PE42452A-Z	PE42452 SP5T RF switch	Green 24-lead 4x4 mm QFN	3000 units/T&R
EK42452-01	PE42452 Evaluation kit	Evaluation kit	1/Box

Sales Contact and Information

For sales and contact information please visit www.psemi.com.

Advance Information: The product is in a formative or design stage. The datasheet contains design target specifications for product development. Specifications and features may change in any manner without notice.
Preliminary Specification: The datasheet contains preliminary data. Additional data may be added at a later date. Peregrine reserves the right to change specifications at any time without notice in order to supply the best possible product.
Product Specification: The datasheet contains final data. In the event Peregrine decides to change the specifications, Peregrine will notify customers of the intended changes by issuing a CNF (Customer Notification Form).
 The information in this datasheet is believed to be reliable. However, Peregrine assumes no liability for the use of this information. Use shall be entirely at the user's own risk.

No patent rights or licenses to any circuits described in this datasheet are implied or granted to any third party. Peregrine's products are not designed or intended for use in devices or systems intended for surgical implant, or in other applications intended to support or sustain life, or in any application in which the failure of the Peregrine product could create a situation in which personal injury or death might occur. Peregrine assumes no liability for damages, including consequential or incidental damages, arising out of the use of its products in such applications.

The Peregrine name, logo, UltraCMOS and UTSi are registered trademarks and HaRP, MultiSwitch and DuNE are trademarks of Peregrine Semiconductor Corp. Peregrine products are protected under one or more of the following U.S. Patents: <http://patents.psemi.com>.

X-ON Electronics

Largest Supplier of Electrical and Electronic Components

Click to view similar products for [RF Switch ICs](#) category:

Click to view products by [pSemi](#) manufacturer:

Other Similar products are found below :

[MASW-008853-TR3000](#) [BGS13SN8E6327XTSA1](#) [BGSX210MA18E6327XTSA1](#) [SKY13446-374LF](#) [SW-227-PIN](#) [CG2185X2](#) [CG2415M6](#)
[MA4SW410](#) [MA4SW410B-1](#) [MASW-002102-13580G](#) [MASW-008543-001SMB](#) [MASW-008955-TR3000](#) [TGS4307](#) [BGS 12PL6 E6327](#)
[BGS1414MN20E6327XTSA1](#) [BGS1515MN20E6327XTSA1](#) [BGSA11GN10E6327XTSA1](#) [BGSX28MA18E6327XTSA1](#) [HMC199AMS8](#)
[HMC986A](#) [SKY13374-397LF](#) [SKY13453-385LF](#) [CG2430X1-C2](#) [CG2415M6-C2](#) [HMC986A-SX](#) [SW-314-PIN](#) [UPG2162T5N-E2-A](#)
[SKY13416-485LF](#) [MASWSS0204TR-3000](#) [MASWSS0201TR](#) [MASWSS0181TR-3000](#) [MASW-007588-TR3000](#) [MASW-004103-13655P](#)
[MASW-003102-13590G](#) [MASWSS0202TR-3000](#) [MA4SW310B-1](#) [MA4SW110](#) [SW-313-PIN](#) [CG2430X1](#) [SKY13321-360LF](#) [SKY13405-](#)
[490LF](#) [BGSF 18DM20 E6327](#) [MMS008PP3](#) [BGS13PN10E6327XTSA1](#) [SKY13319-374LF](#) [BGS14PN10E6327XTSA1](#) [SKY12213-478LF](#)
[SKY13404-466LF](#) [MASW-011060-TR0500](#) [SKYA21024](#)