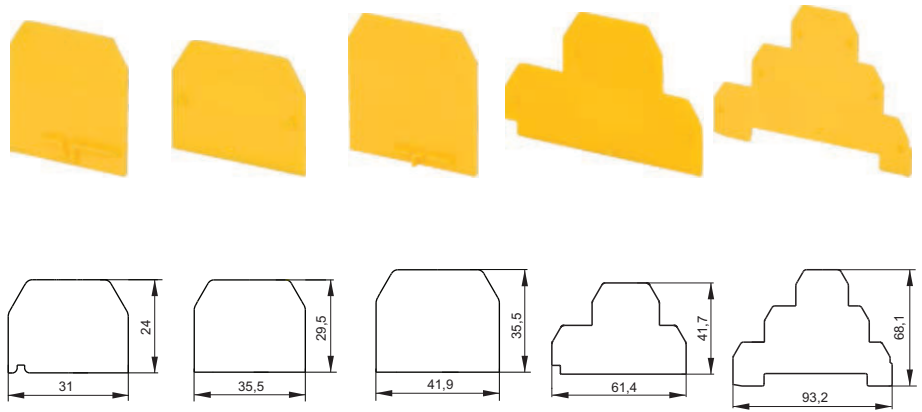
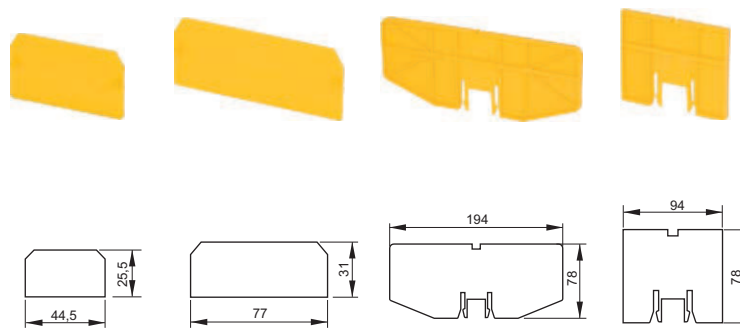


TERMINAL BLOCKS



PS, PSUB, PSUP, PSD

TYPE	PS-4	PS-10	PS-16	PSP-4/PE	PSP-4/3
Catalogue number	41-610	41-620	41-630	41-7101	41-720
Colour	yellow-1 ● white-2 ○ black-3 ● green-5 ● blue-6 ● red-7 ● grey-8 ●	yellow-1 ● white-2 ○ black-3 ● green-5 ● blue-6 ● red-7 ● grey-8 ●	yellow-1 ● white-2 ○ black-3 ● green-5 ● blue-6 ● red-7 ● grey-8 ●	yellow ●	yellow-1 ● blue-6 ● grey-8 ●
Use as	ZG-G2,5 ZG-G4	ZG-G10	ZG-G16	ZG4-PE/L/N ZG4-PE/L/L	ZG-G31...36
End section for:					
Width	1mm	1mm	1mm	1mm	1mm
Insulating material	polyamide	polyamide	polyamide	polyamide	polyamide
Ambient temperature	-25...+100°C	-25...+100°C	-25...+100°C	-25...+100°C	-25...+100°C
Package	25pcs.	25pcs.	25pcs.	25pcs.	25pcs.



TYPE	PSUB-4	PSUP-10	PSD	PSD-1
Catalogue number	41-2101	41-3201	41-5001	41-5101
Colour	yellow ●	yellow ●	yellow ●	yellow ●
Use as	ZUG-G/B ZUG-G/E	ZUG-G/P ZUG-G/D	—	—
End section for:				
Separators for:	—	—	ZP	ZP
Width	1,2mm	1,2mm	2mm	2mm
Insulating material	polyamide	polyamide	polyamide	polyamide
Ambient temperature	-25...+100°C	-25...+100°C	-25...+100°C	-25...+100°C
Package	25pcs.	25pcs.	50pcs.	30pcs.

X-ON Electronics

Largest Supplier of Electrical and Electronic Components

Click to view similar products for [DIN Rail Terminal Blocks](#) category:

Click to view products by [POKOJ](#) manufacturer:

Other Similar products are found below :

[1045932](#) [00110420202](#) [00110430402](#) [5724.2/L](#) [592808-3](#) [CTS25U/BL](#) [CTS2.5U-N/Y](#) [90.080](#) [91.010](#) [91.040](#) [DP25-GY-ND](#) [15288](#) [90.070](#)
[90.202](#) [90.905](#) [91.001](#) [91.020](#) [91.201](#) [91.340](#) [2713793](#) [280-331](#) [283-317](#) [283-607](#) [2909044](#) [2909798](#) [29-2052](#) [SRT2-OD08CL-1](#)
[CDL4U\(E\)MOV](#) [2757801](#) [2794660](#) [284-317](#) [2890975](#) [2907033](#) [3048496](#) [CTS2.5U-N/O](#) [5542152](#) [5602077](#) [0709880](#) [5520682](#) [5607102](#)
[EPUSC](#) [SRT2-OD16P](#) [2901288](#) [591620-2](#) [1-591651-1](#) [NRA37-1/2](#) [592814-1](#) [592814-3](#) [SRT2-ID16P](#) [NRA37-12](#)