



Technical data // **DPS8 131 AK LS 2**

Dual Push Button Switches

Dual push button switch



**Highlights**

Contacts with abrasion resistant hard gold plating

100 % electronic final inspection and testing

**Mechanical Data**

|                           |                    |
|---------------------------|--------------------|
| Width                     | 8.0 mm             |
| Perm. ambient temperature | -20 °C ... +80 °C  |
| Mechanical lifetime       | 1.000.000 steps    |
| Operating force           | approx. 4.0 N      |
| Weight                    | approx. 4.0 g      |
| Digit height 10-digit     | 4.9 mm             |
| Digit height 16-digit     | 3.4 mm             |
| Sinus-vibration testing   | acc. EN 60068-2-6  |
| Shock testing             | acc. EN 60068-2-27 |

**Electrical Data**

|   |                 |
|---|-----------------|
| Operating voltage   | $\leq 40.0$ V   |
| Contact load, static  | $\leq 1.0$ A    |
| Contact load, dynamic (resistive)                                   | $\leq 100.0$ mA |
| Contact resistance for PCB AK (measured from supply line to output) | $< 100.0$ mOhm  |

**Material**

|                 |                     |
|-----------------|---------------------|
| Housing         | PPO                 |
| Contact surface | Au over Ni on Cu    |
| Sliding contact | Au over Ni on CuSn6 |



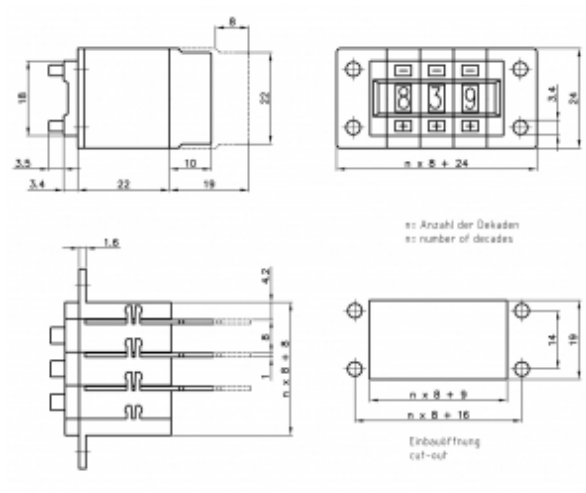
Technical data

// **DPS8 131 AK LS 2**

Dual Push Button Switches

Dual push button switch

Technical Drawing



Configuration

Codes

Code 131

| BCD |   |   |   |   |   |
|-----|---|---|---|---|---|
|     | C | 1 | 2 | 4 | 8 |
| 0   | ● |   |   |   |   |
| 1   | ● | ● |   |   |   |
| 2   | ● |   | ● |   |   |
| 3   | ● | ● | ● |   |   |
| 4   | ● |   |   | ● |   |
| 5   | ● | ● |   | ● |   |
| 6   | ● |   | ● | ● |   |
| 7   | ● | ● | ● | ● |   |
| 8   | ● |   |   |   | ● |
| 9   | ● | ● |   |   | ● |

BCD, 10



**PTR HARTMANN**

A Phoenix Mecano Company

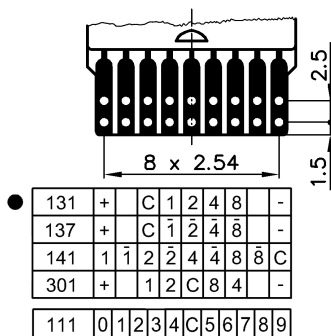
Technical data

**// DPS8 131 AK LS 2**

Dual Push Button Switches

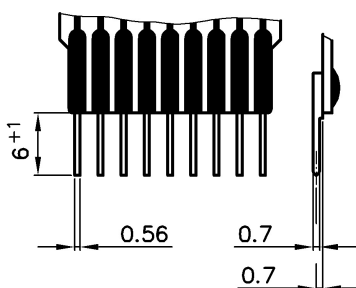
Dual push button switch

PCB



Short

Suffix



With solder pins

Colour

Housing black, drum black, digits white

## X-ON Electronics

Largest Supplier of Electrical and Electronic Components

*Click to view similar products for PTR HARTMANN manufacturer:*

Other Similar products are found below :

[B5LS](#) [DA-PT659.6/19](#) [DA-PT659.6/9.5](#) [DK-PT6510.5/15.7](#) [DK-PT6510.5/5.3](#) [P25SMJ103](#) [P25SMJ301](#) [P25SMJ801](#) [P25SMT101](#)  
[P25SMT103](#) [P25SMT103TR](#) [P25SMT303](#) [P25SMT803](#) [P36SMT101](#) [P36SMT103](#) [P36SMT106](#) [P36SMT301](#) [P36SMT303](#) [P36SMT801](#)  
[P36SMT803](#) [P36THR101](#) [P36THR101L254](#) [P36THR102L254](#) [P36THR103](#) [P36THR106](#) [P36THR301L254](#) [P60ASMT103](#) [P60ASMT106](#)  
[P60ASMT701](#) [P60ATHR101](#) [P60ATHR101V](#) [P60ATHR103V](#) [P60ATHR701](#) [P65SMT101](#) [P65SMT103](#) [P65SMT106](#) [P65SMT701](#)  
[P65SMT703](#) [P65THR101](#) [P65THR101L254](#) [P65THR102](#) [P65THR103L254](#) [P65THR106](#) [P65THR106L254](#) [P65THR701](#) [P65THR701L254](#)  
[P65THR703](#) [P65THR703L254](#) [P65THR706](#) [PT65101](#)