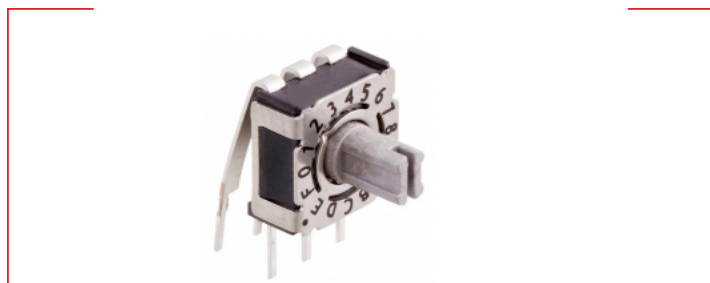


**Technical data // P36THR 1 01 L254 -**

Rotary Code Switch

Angular 2.54 mm Through Hole Reflow

**Highlights**

- Solid PCB pins
- Contacts with abrasion resistant hard gold plating
- Central C-contact
- Extra sealed design with high temperature resistance
- Switches are solder and flux sealed and washable
- 100 % electronic inspection and testing
- 90° turned zero position available
- Pin rows with initial tension, no automated assembly possible

**Mechanical Data**

Type	vertical
Fixation mode	THR
Height	7.7 mm
Length	5.24 mm
Width	7.4 mm
Pin connection	3+3
Perm. ambient temperature	-50 °C ... +125 °C
Perm. storage temperature	-55 °C ... +135 °C
Torque	1.2 ± 0.2 Ncm
Mechanical lifetime	25.000 steps
Positions per rotation	10 / 16 - more versions on request
Degree of protection	comparable IP67
Sealing	O-Ring
Humidity	21 days at 40 °C, 93 %RH
THR through holes	plated through
THR PCB hole diameter	0.8 mm
Outside diameter plated land	1.8 mm
Sinus-vibration testing	acc. IEC 68-2-6
Frequency range	10 Hz ... 500 Hz ... 10 Hz, sliding
Acceleration	10.0 g
Amplitude	6.0 mm



Technical data

// P36THR 1 01 L254 -

Rotary Code Switch

Angular 2.54 mm Through Hole Reflow

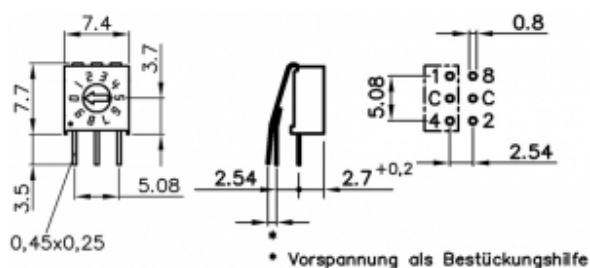
**Mechanical Data**

Shock testing	acc. IEC 68-2-27
Shock acceleration amplitude	50.0 g
Duration of nominal shock	11.0 ms
Directions	6 ( $\pm x, \pm y, \pm z$ ) 3 times each
Reflow soldering	10 s / 260 °C
Wave soldering	Double Wave acc. DIN EN 61760-1:2006
Iron soldering	4 s / 350 °C

**Electrical Data**

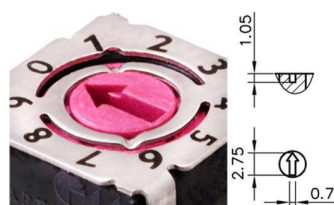
Operating voltage	$\leq 42.0$ V
Standby current	$\leq 0.4$ A
Contact load, dynamic	$\leq 0.1$ A
Minimum load	1.0 $\mu$ A 20mVDC
Test voltage	250.0 V 50 Hz / 1.0 min
Contact resistance	$< 80.0$ mOhm
Insulation resistance	$> 100.0$ MOhm

Technical Drawing



Configuration

Actuators



Arrow-shaped slot



Technical data

// P36THR 1 01 L254 -

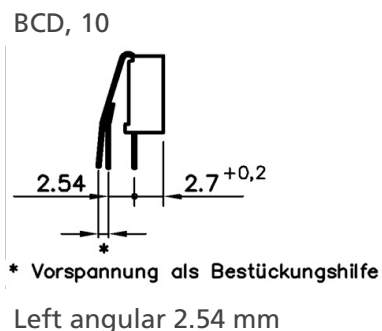
Rotary Code Switch

Angular 2.54 mm Through Hole Reflow

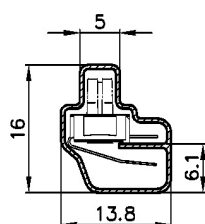
Codes

BCD Typ 01						
	C	1	2	4	8	
0	●				0	
1	●	●			1	
2	●		●		2	
3	●	●	●		3	
4	●			●	4	
5	●	●		●	5	
6	●		●	●	6	
7	●	●	●	●	7	
8	●				●	8
9	●	●			●	9

Contact pins



Packing



Tube

## X-ON Electronics

Largest Supplier of Electrical and Electronic Components

*Click to view similar products for [DIP Switches/SIP Switches](#) category:*

*Click to view products by [PTR HARTMANN](#) manufacturer:*

Other Similar products are found below :

[78M03S](#) [79B10T](#) [8136-475G4T](#) [G7G-1A2-CB-DC12](#) [H7CZL8AC100240](#) [A7SS-M](#) [A8CA-201](#) [DRR60016](#) [DRS4016](#) [1825008-1](#) [1825444-1](#) [25.350.0653.0](#) [SBS 5004 TG](#) [SDA10H1BDA](#) [97R06ST](#) [A2C-2A5](#) [1825444-7](#) [ADE08SA04](#) [ADE12S04](#) [192960010](#) [2-1825058-8](#) [25.330.0653.1](#) [25.352.0353.0](#) [CXDRIVEV2X](#) [IKN0600000](#) [IKN0800000](#) [LA2-002-DC24](#) [DBS1003](#) [438872000](#) [DRD10CRAE04](#) [DSR02T](#) [DSS 208 N](#) [E2FMX2D1M1TGJ03M](#) [NDI10H](#) [219-9MSTP](#) [204-6ES](#) [EPM02FV](#) [701521596](#) [NDS08V](#) [76SB05](#) [79A10](#) [TD06H0SK1](#) [Z7.255.9027.0](#) [1-1825058-3](#) [1825428-4](#) [219-10LPSTF](#) [G4D212PUSTV2DC5](#) [NDI05H](#) [EPG301BT06](#) [206S0117](#)