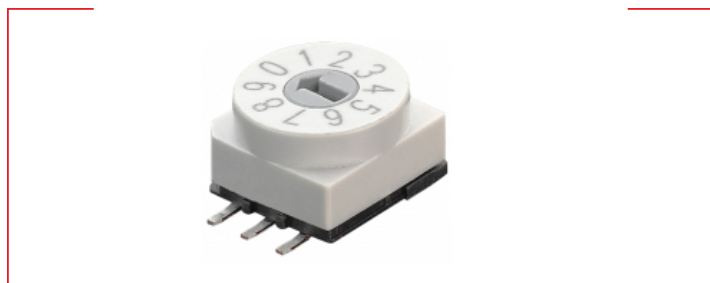




Technical data // **P65SMT 1 01 TR**

Rotary Code Switch

SMT Gull Wing Surface Mount Technology



Highlights

- Solid PCB pins
- Contacts with abrasion resistant hard gold plating
- ESD-protection on request
- 100 % electronic inspection and testing

Mechanical Data

Type	horizontal
Fixation mode	SMT
Height	6.8 mm
Length	10.0 mm
Width	10.0 mm
Pin connection	3+3
Perm. ambient temperature	-60 °C ... +125 °C
Perm. storage temperature	-65 °C ... +135 °C
Torque	(typically) 1.3 Ncm
Mechanical lifetime	30.000 steps
Reflow soldering	10 s / 260 °C
Iron soldering	2 s / 340 °C
Sinus-vibration testing	acc. EN 60068-2-6
Frequency range	10 Hz ... 500 Hz ... 10 Hz, sliding
Amplitude	6.0 mm
Acceleration	10.0 g
Shock testing	acc. EN 60068-2-27
Shock acceleration amplitude	50.0 g
Duration of nominal shock	11.0 ms
Directions	6 ($\pm x$, $\pm y$, $\pm z$) 3 times each



Technical data

// P65SMT 1 01 TR

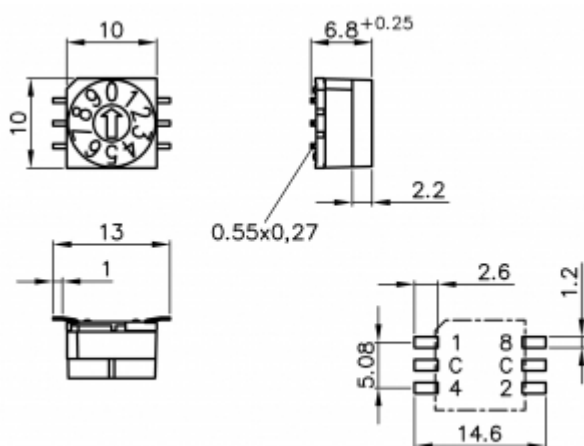
Rotary Code Switch

SMT Gull Wing Surface Mount Technology

Electrical Data

Operating voltage	≤ 42.0 V
Standby current	≤ 0.2 A
Contact load, dynamic	≤ 0.1 A
Minimum load	1.0 μ A 20mVDC
Test voltage	250.0 V 50 Hz / 1.0 min
Contact resistance	< 80.0 mOhm
Insulation resistance	> 100.0 MOhm

Technical Drawing



Configuration

Actuators



Arrow-shaped slot



Technical data

// P65SMT 1 01 TR

Rotary Code Switch

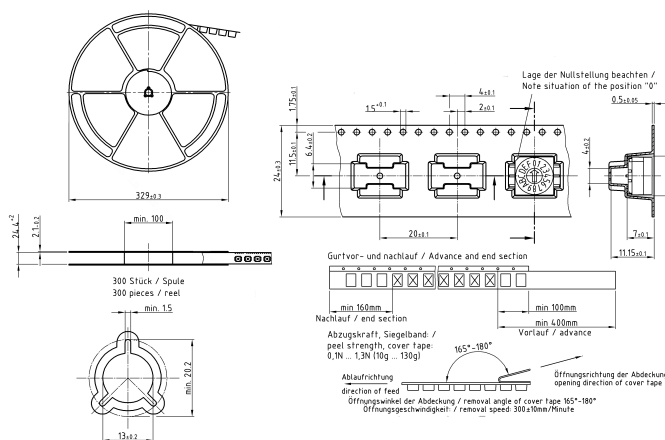
SMT Gull Wing Surface Mount Technology

Codes

BCD Typ 01					
	C	1	2	4	8
0	●				0
1	●	●			1
2	●		●		2
3	●	●	●		3
4	●			●	4
5	●	●		●	5
6	●		●	●	6
7	●	●	●	●	7
8	●				●
9	●	●			●

BCD, Pos 10

Packing depending on acutator



Tape on Reel Packing for actuator 1 & 7

X-ON Electronics

Largest Supplier of Electrical and Electronic Components

Click to view similar products for [Rotary Switches](#) category:

Click to view products by [PTR HARTMANN](#) manufacturer:

Other Similar products are found below :

[57HS22-02-2-06N](#) [57M22-02B16N](#) [57M22-09A16N](#) [61-4970.10](#) [M3786/4-0881](#) [M3786/4-3267](#) [M3786/4-5568](#) [M3786/4-6029](#) [71ESF30-05204N](#) [MC06L1NCGF](#) [84986-26](#) [9003K2C003GA](#) [PLR3251](#) [PLR3262](#) [PS3](#) [A0142M2SP](#) [A019605](#) [A029303](#) [R2AA4455NNNN](#) [R2BB4455NNNN](#) [RMS1224](#) [DR75-AMSF-10R-B](#) [14-520.0360](#) [1703.3201](#) [HW1MS-0202-101](#) [24002-03S](#) [A029101](#) [ACSNO-129-YB-C1014](#) [ACSNO-134-RR-YB-C1005](#) [ACSNO-353-SB-C3016](#) [1825537-4](#) [T505](#) [T505E](#) [24005-03N](#) [H10207RR01Q](#) [M3786/4-0002](#) [M3786/4-0630](#) [M3786/4-1028L](#) [M3786/4-1233L](#) [M3786/4-3044](#) [M3786/4-3129](#) [M3786/4-5008L](#) [M3786/4-5256](#) [MC6CX1A502X009](#) [42HS36-01-1-06N](#) [42P36-03B10S](#) [44MBS60-04-2-03N](#) [44MG90-02-1-02N](#) [50KMT90-01-2-02N](#) [51A22-01-1-16S](#)