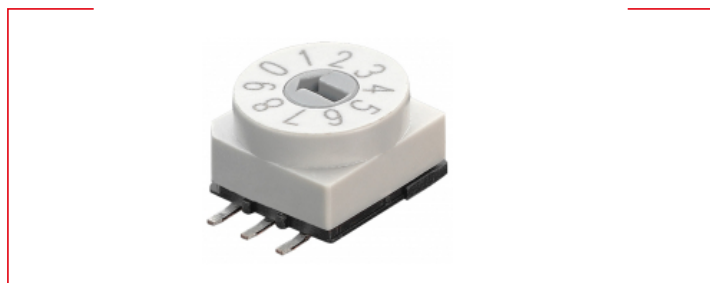




Technical data // **P65SMT 1 03 TR**

Rotary Code Switch

SMT Gull Wing Surface Mount Technology



Highlights

- Solid PCB pins
- Contacts with abrasion resistant hard gold plating
- ESD-protection on request
- 100 % electronic inspection and testing

Mechanical Data

Type	horizontal
Fixation mode	SMT
Height	6.8 mm
Length	10.0 mm
Width	10.0 mm
Pin connection	3+3
Perm. ambient temperature	-60 °C ... +125 °C
Perm. storage temperature	-65 °C ... +135 °C
Torque	(typically) 1.3 Ncm
Mechanical lifetime	30.000 steps
Reflow soldering	10 s / 260 °C
Iron soldering	2 s / 340 °C
Sinus-vibration testing	acc. EN 60068-2-6
Frequency range	10 Hz ... 500 Hz ... 10 Hz, sliding
Amplitude	6.0 mm
Acceleration	10.0 g
Shock testing	acc. EN 60068-2-27
Shock acceleration amplitude	50.0 g
Duration of nominal shock	11.0 ms
Directions	6 ($\pm x$, $\pm y$, $\pm z$) 3 times each



Technical data

// P65SMT 1 03 TR

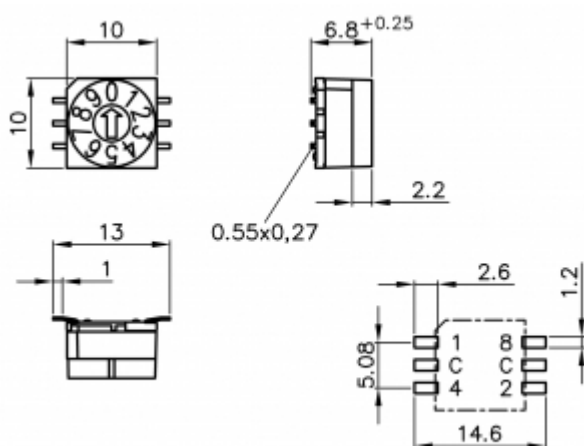
Rotary Code Switch

SMT Gull Wing Surface Mount Technology

Electrical Data

Operating voltage	≤ 42.0 V
Standby current	≤ 0.2 A
Contact load, dynamic	≤ 0.1 A
Minimum load	1.0 μ A 20mVDC
Test voltage	250.0 V 50 Hz / 1.0 min
Contact resistance	< 80.0 mOhm
Insulation resistance	> 100.0 MOhm

Technical Drawing



Configuration

Actuators



Arrow-shaped slot

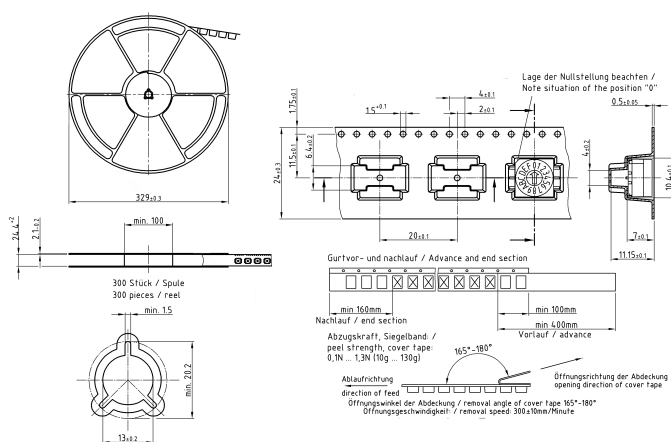


Codes

Hexadezimal Typ 03						
	C	1	2	4	8	
0	●					0
1	●	●				●
2	●		●			2
3	●	●	●			●
4	●			●		4
5	●	●		●		●
6	●		●	●		6
7	●	●	●	●		●
8	●				●	8
9	●	●			●	●
10	●		●		●	A
11	●	●	●		●	●
12	●			●	●	C
13	●	●		●	●	●
14	●		●	●	●	E
15	●	●	●	●	●	●

Hexadecimal, 16

Packing depending on acutator



Tape on Reel Packing for actuator 1 & 7

X-ON Electronics

Largest Supplier of Electrical and Electronic Components

Click to view similar products for [DIP Switches/SIP Switches](#) category:

Click to view products by [PTR HARTMANN](#) manufacturer:

Other Similar products are found below :

[78M03S](#) [79B10T](#) [8136-475G4T](#) [G7G-1A2-CB-DC12](#) [H7CZL8AC100240](#) [A7SS-M](#) [A8CA-201](#) [DRR60016](#) [DRS4016](#) [1825008-1](#) [1825444-1](#) [25.350.0653.0](#) [SBS 5004 TG](#) [SDA10H1BDA](#) [97R06ST](#) [A2C-2A5](#) [1825444-7](#) [ADE08SA04](#) [ADE12S04](#) [192960010](#) [2-1825058-8](#) [25.330.0653.1](#) [25.352.0353.0](#) [CXDRIVEV2X](#) [IKN0600000](#) [IKN0800000](#) [LA2-002-DC24](#) [DBS1003](#) [438872000](#) [DRD10CRAE04](#) [DSR02T](#) [DSS 208 N](#) [E2FMX2D1M1TGJ03M](#) [NDI10H](#) [219-9MSTP](#) [204-6ES](#) [EPM02FV](#) [701521596](#) [NDS08V](#) [76SB05](#) [79A10](#) [TD06H0SK1](#) [Z7.255.9027.0](#) [1-1825058-3](#) [1825428-4](#) [219-10LPSTF](#) [E3ZG6111D03M](#) [G4D212PUSTV2DC5](#) [NDI05H](#) [EPG301BT06](#)