

**Technical data // P65THR 1 03 L254 TR**

Rotary Code Switch

Angular 2.54mm Pitch Through Hole Reflow

**Highlights**

- Solid PCB pins
- Contacts with abrasion resistant hard gold plating
- ESD-protection on request
- 100 % electronic inspection and testing

Mechanical Data

Type	vertical
Fixation mode	THR
Height	10.0 mm
Length	10.4 mm
Width	10.0 mm
Pin connection	3+3
Perm. ambient temperature	-60 °C ... +125 °C
Perm. storage temperature	-65 °C ... +135 °C
Torque	(typically) 1.3 Ncm
Mechanical lifetime	30.000 steps
Reflow soldering	10 s / 260 °C
Wave soldering	Double Wave acc. DIN EN 61760-1:2006
Iron soldering	2 s / 340 °C
THR through holes	plated through
THR PCB hole diameter	1.0 mm
Outside diameter plated land	1.8 mm

Electrical Data

Operating voltage	≤ 42.0 V
Standby current	≤ 0.2 A
Contact load, dynamic	≤ 0.1 A
Minimum load	1.0 μ A 20mVDC
Test voltage	250.0 V 50 Hz / 1.0 min
Contact resistance	< 80.0 mOhm
Insulation resistance	> 100.0 MOhm



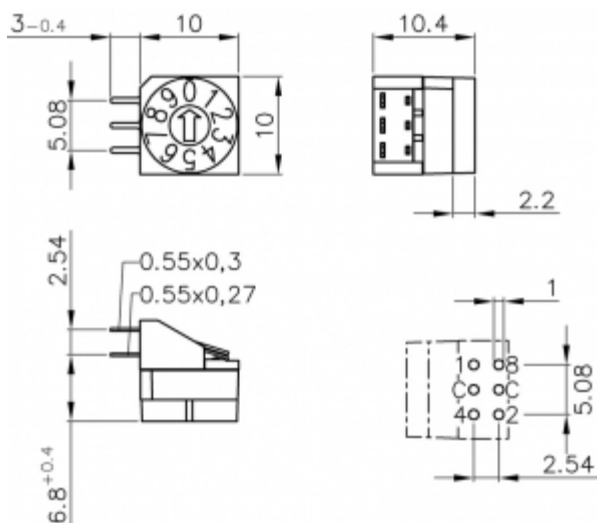
Technical data

// P65THR 1 03 L254 TR

Rotary Code Switch

Angular 2.54mm Pitch Through Hole Reflow

Technical Drawing



Configuration

Actuators



Arrow-shaped slot



Technical data

// P65THR 1 03 L254 TR

Rotary Code Switch

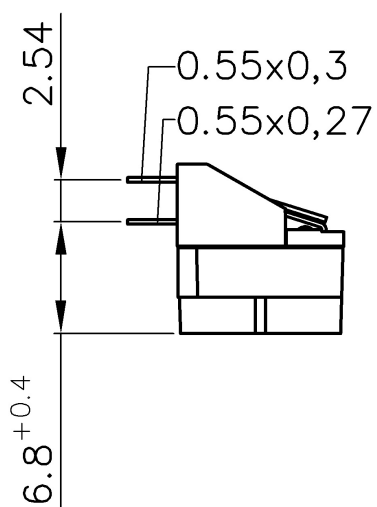
Angular 2.54mm Pitch Through Hole Reflow

Codes

Hexadezimal Typ 03						
	C	1	2	4	8	
0	●					0
1	●	●				●
2	●		●			2
3	●	●	●			●
4	●			●		4
5	●	●		●		●
6	●		●	●		6
7	●	●	●	●		●
8	●				●	8
9	●	●			●	●
10	●		●		●	A
11	●	●	●		●	●
12	●			●	●	C
13	●	●		●	●	●
14	●		●	●	●	E
15	●	●	●	●	●	●

Hexadecimal, 16

Contact pins



Left angular 2.54 mm



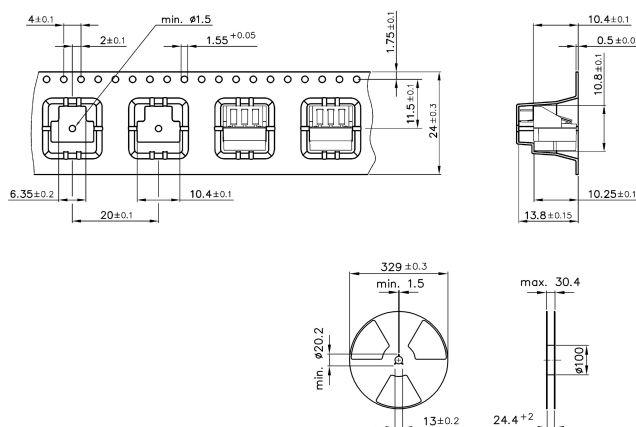
Technical data

// P65THR 1 03 L254 TR

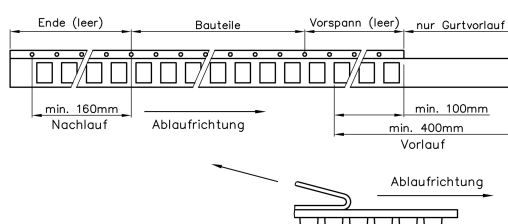
Rotary Code Switch

Angular 2.54mm Pitch Through Hole Reflow

Packing



Gurtvorlauf und -nachlauf



Öffnungswinkel der Abdeckung: $165^\circ - 180^\circ$
Öffnungsgeschwindigkeit: $300 \pm 10\text{mm/Minute}$

Tape on Reel Packing

X-ON Electronics

Largest Supplier of Electrical and Electronic Components

Click to view similar products for [Rotary Switches](#) category:

Click to view products by [PTR HARTMANN](#) manufacturer:

Other Similar products are found below :

[57HS22-02-2-06N](#) [57M22-02B16N](#) [57M22-09A16N](#) [61-4970.10](#) [M3786/4-0881](#) [M3786/4-3267](#) [M3786/4-5568](#) [M3786/4-6029](#) [71ESF30-05204N](#) [MC06L1NCGF](#) [84986-26](#) [9003K2C003GA](#) [PLR3251](#) [PLR3262](#) [PS3](#) [A0142M2SP](#) [A019605](#) [A029303](#) [R2AA4455NNNN](#) [R2BB4455NNNN](#) [RMS1224](#) [DR75-AMSF-10R-B](#) [14-520.0360](#) [1703.3201](#) [HW1MS-0202-101](#) [24002-03S](#) [A029101](#) [ACSNO-129-YB-C1014](#) [ACSNO-134-RR-YB-C1005](#) [ACSNO-353-SB-C3016](#) [1825537-4](#) [T505](#) [T505E](#) [24005-03N](#) [H10207RR01Q](#) [M3786/4-0002](#) [M3786/4-0630](#) [M3786/4-1028L](#) [M3786/4-1233L](#) [M3786/4-3044](#) [M3786/4-3129](#) [M3786/4-5008L](#) [M3786/4-5256](#) [MC6CX1A502X009](#) [42HS36-01-1-06N](#) [42P36-03B10S](#) [44MBS60-04-2-03N](#) [44MG90-02-1-02N](#) [50KMT90-01-2-02N](#) [51A22-01-1-16S](#)