



Technical data // **PT65 1 02 L254**

Rotary Code Switch

Left angular 2.54 mm pitch



Highlights

- Solid PCB pins
- Contacts with abrasion resistant hard gold plating
- Extra sealed design
- Switches are solder and flux sealed and washable
- Excellent detent, once more improved
- 100 % electronic inspection and testing

Mechanical Data

Type	vertical
Fixation mode	THT
Height	10.0 mm
Length	9.34 mm
Width	10.0 mm
Pin connection	3+3
Perm. ambient temperature	-20 °C ... +70 °C
Perm. storage temperature	-40 °C ... +85 °C
Torque	(typically) 1.7 Ncm
Mechanical lifetime	30.000 steps
Degree of protection	comparable IP67
Sealing	O-Ring
Humidity	21 days at 40 °C, 93 %RH
Iron soldering	2 s / 340 °C
Sinus-vibration testing	acc. IEC 68-2-6
Frequency range	10 Hz ... 500 Hz ... 10 Hz, sliding
Amplitude	6.0 mm
Acceleration	10.0 g
Shock testing	acc. IEC 68-2-27
Shock acceleration amplitude	50.0 g
Duration of nominal shock	11.0 ms
Directions	6 ($\pm x$, $\pm y$, $\pm z$) 3 times each
Wave soldering	Double Wave acc. DIN EN 61760-1:2006



Technical data

// PT65 1 02 L254

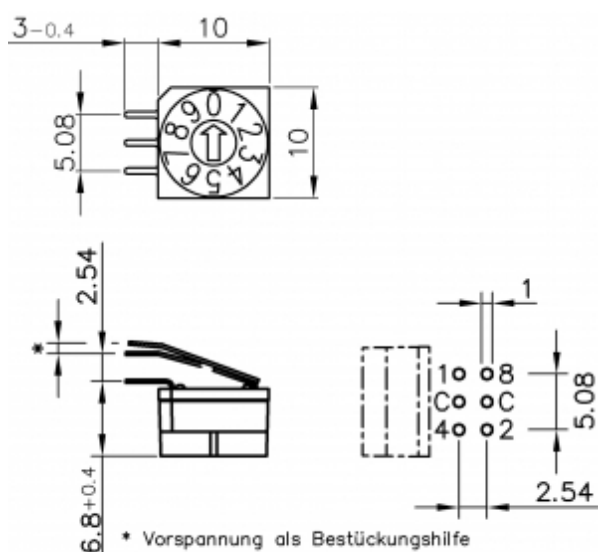
Rotary Code Switch

Left angular 2.54 mm pitch

Electrical Data

Operating voltage	≤ 42.0 V
Standby current	≤ 0.2 A
Contact load, dynamic	≤ 0.15 A
Minimum load	1.0 μ A 20mVDC
Test voltage	250.0 V 50 Hz / 1.0 min
Contact resistance	< 80.0 mOhm
Insulation resistance	> 100.0 MOhm

Technical Drawing



Initial tension for easy manual PCB assembly

Configuration

Actuators



Arrow-shaped slot



Technical data

// PT65 1 02 L254

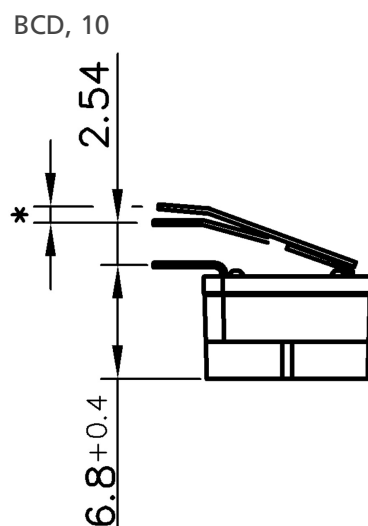
Rotary Code Switch

Left angular 2.54 mm pitch

Codes

BCD Complement						
Typ 02						
	C	$\bar{1}$	$\bar{2}$	$\bar{4}$	$\bar{8}$	
0	●	●	●	●	●	0
1	●		●	●	●	1
2	●	●		●	●	2
3	●			●	●	3
4	●	●	●		●	4
5	●		●		●	5
6	●	●			●	6
7	●				●	7
8	●	●	●	●		8
9	●		●	●		9

Contact pins



Left angular 2.54 mm



PTR HARTMANN

A Phoenix Mecano Company

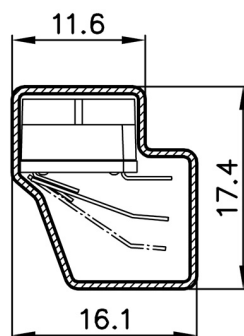
Technical data

// PT65 1 02 L254

Rotary Code Switch

Left angular 2.54 mm pitch

Packing depending on acuator



Tube PT65 1...L254

X-ON Electronics

Largest Supplier of Electrical and Electronic Components

Click to view similar products for PTR HARTMANN manufacturer:

Other Similar products are found below :

[B5LS](#) [DA-PT659.6/19](#) [DA-PT659.6/9.5](#) [DK-PT6510.5/15.7](#) [DK-PT6510.5/5.3](#) [P25SMJ103](#) [P25SMJ301](#) [P25SMJ801](#) [P25SMT101](#)
[P25SMT103](#) [P25SMT103TR](#) [P25SMT303](#) [P25SMT803](#) [P36SMT101](#) [P36SMT103](#) [P36SMT106](#) [P36SMT301](#) [P36SMT303](#) [P36SMT801](#)
[P36SMT803](#) [P36THR101](#) [P36THR101L254](#) [P36THR102L254](#) [P36THR103](#) [P36THR106](#) [P36THR301L254](#) [P60ASMT103](#) [P60ASMT106](#)
[P60ASMT701](#) [P60ATHR101](#) [P60ATHR101V](#) [P60ATHR103V](#) [P60ATHR701](#) [P65SMT101](#) [P65SMT103](#) [P65SMT106](#) [P65SMT701](#)
[P65SMT703](#) [P65THR101](#) [P65THR101L254](#) [P65THR102](#) [P65THR103L254](#) [P65THR106](#) [P65THR106L254](#) [P65THR701](#) [P65THR701L254](#)
[P65THR703](#) [P65THR703L254](#) [P65THR706](#) [PT65101](#)