



Technical data // **PT65 3 01 L254**

Rotary Code Switch

Left angular 2.54 mm pitch



**Highlights**

- Solid PCB pins
- Contacts with abrasion resistant hard gold plating
- Extra sealed design
- Switches are solder and flux sealed and washable
- Excellent detent, once more improved
- 100 % electronic inspection and testing

**Mechanical Data**

Type	vertical
Fixation mode	THT
Height	10.0 mm
Length	9.34 mm
Width	10.0 mm
Pin connection	3+3
Perm. ambient temperature	-20 °C ... +70 °C
Perm. storage temperature	-40 °C ... +85 °C
Torque	(typically) 1.7 Ncm
Mechanical lifetime	30.000 steps
Degree of protection	comparable IP67
Sealing	O-Ring
Humidity	21 days at 40 °C, 93 %RH
Iron soldering	2 s / 340 °C
Sinus-vibration testing	acc. IEC 68-2-6
Frequency range	10 Hz ... 500 Hz ... 10 Hz, sliding
Amplitude	6.0 mm
Acceleration	10.0 g
Shock testing	acc. IEC 68-2-27
Shock acceleration amplitude	50.0 g
Duration of nominal shock	11.0 ms
Directions	6 ( $\pm x$ , $\pm y$ , $\pm z$ ) 3 times each
Wave soldering	Double Wave acc. DIN EN 61760-1:2006



Technical data

// PT65 3 01 L254

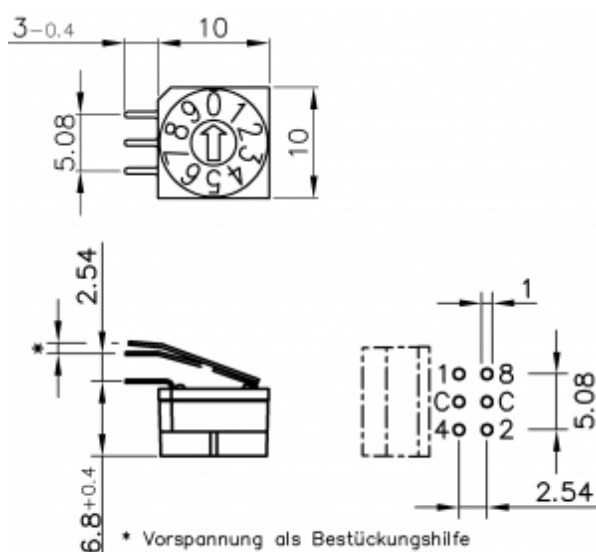
Rotary Code Switch

Left angular 2.54 mm pitch

**Electrical Data**

Operating voltage	$\leq 42.0$ V
Standby current	$\leq 0.2$ A
Contact load, dynamic	$\leq 0.15$ A
Minimum load	1.0 $\mu$ A 20mVDC
Test voltage	250.0 V 50 Hz / 1.0 min
Contact resistance	$< 80.0$ mOhm
Insulation resistance	$> 100.0$ MOhm

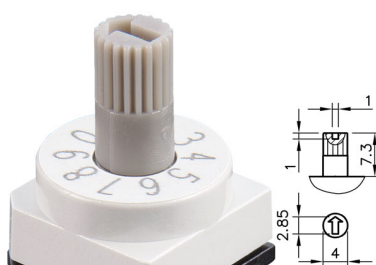
Technical Drawing



Initial tension for easy manual PCB assembly

Configuration

Actuators



Spindle



Technical data

// PT65 3 01 L254

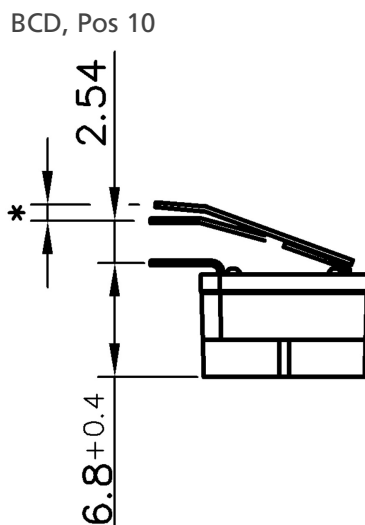
Rotary Code Switch

Left angular 2.54 mm pitch

Codes

BCD Typ 01						
	C	1	2	4	8	
0	●				0	
1	●	●			1	
2	●		●		2	
3	●	●	●		3	
4	●			●	4	
5	●	●		●	5	
6	●		●	●	6	
7	●	●	●	●	7	
8	●				●	8
9	●	●			●	9

Contact pins



Left angular 2.54 mm

Packing depending on acutator

Tray PT65 3...L254

## X-ON Electronics

Largest Supplier of Electrical and Electronic Components

*Click to view similar products for PTR HARTMANN manufacturer:*

Other Similar products are found below :

[B5LS](#) [DA-PT659.6/19](#) [DA-PT659.6/9.5](#) [DK-PT6510.5/15.7](#) [DK-PT6510.5/5.3](#) [P25SMJ103](#) [P25SMJ301](#) [P25SMJ801](#) [P25SMT101](#)  
[P25SMT103](#) [P25SMT103TR](#) [P25SMT303](#) [P25SMT803](#) [P36SMT101](#) [P36SMT103](#) [P36SMT106](#) [P36SMT301](#) [P36SMT303](#) [P36SMT801](#)  
[P36SMT803](#) [P36THR101](#) [P36THR101L254](#) [P36THR102L254](#) [P36THR103](#) [P36THR106](#) [P36THR301L254](#) [P60ASMT103](#) [P60ASMT106](#)  
[P60ASMT701](#) [P60ATHR101](#) [P60ATHR101V](#) [P60ATHR103V](#) [P60ATHR701](#) [P65SMT101](#) [P65SMT103](#) [P65SMT106](#) [P65SMT701](#)  
[P65SMT703](#) [P65THR101](#) [P65THR101L254](#) [P65THR102](#) [P65THR103L254](#) [P65THR106](#) [P65THR106L254](#) [P65THR701](#) [P65THR701L254](#)  
[P65THR703](#) [P65THR703L254](#) [P65THR706](#) [PT65101](#)