



Technical data // **PT65 5 01 L508 -**

Rotary Code Switch

Left angular 5.08mm pitch



**Highlights**

- Solid PCB pins
- Contacts with abrasion resistant hard gold plating
- Extra sealed design
- Switches are solder and flux sealed and washable
- Excellent detent, once more improved
- 100 % electronic inspection and testing

**Mechanical Data**

Type	vertical
Fixation mode	THT
Height	10.0 mm
Length	11.88 mm
Width	10.0 mm
Pin connection	3+3
Perm. ambient temperature	-20 °C ... +70 °C
Perm. storage temperature	-40 °C ... +85 °C
Torque	(typically) 1.7 Ncm
Mechanical lifetime	30.000 steps
Degree of protection	comparable IP67
Sealing	O-Ring
Humidity	21 days at 40 °C, 93 %RH
Wave soldering	Double Wave acc. DIN EN 61760-1:2006
Iron soldering	2 s / 340 °C
Sinus-vibration testing	acc. IEC 68-2-6
Frequency range	10 Hz ... 500 Hz ... 10 Hz, sliding
Amplitude	6.0 mm
Acceleration	10.0 g
Shock testing	acc. IEC 68-2-27
Shock acceleration amplitude	50.0 g
Duration of nominal shock	11.0 ms
Directions	6 ( $\pm x$ , $\pm y$ , $\pm z$ ) 3 times each



Technical data

// PT65 5 01 L508 -

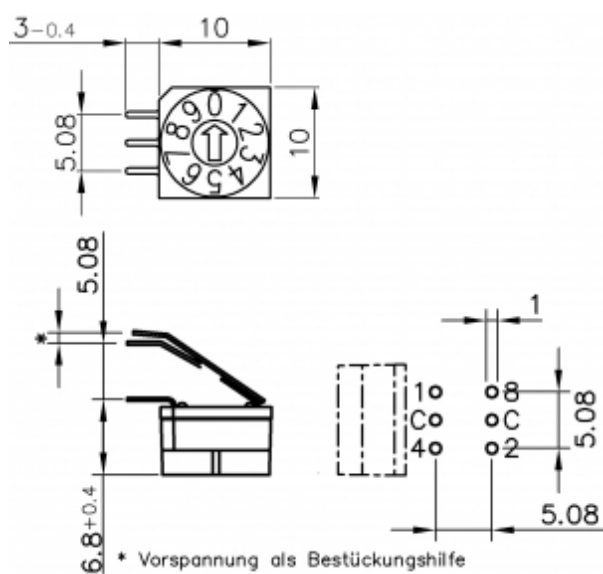
Rotary Code Switch

Left angular 5.08mm pitch

**Electrical Data**

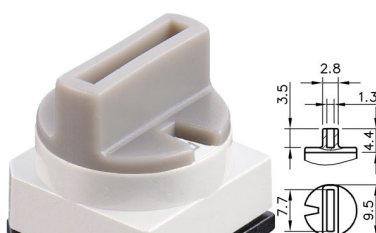
Operating voltage	$\leq 42.0$ V
Standby current	$\leq 0.2$ A
Contact load, dynamic	$\leq 0.15$ A
Minimum load	1.0 $\mu$ A 20mVDC
Test voltage	250.0 V 50 Hz / 1.0 min
Contact resistance	$< 80.0$ mOhm
Insulation resistance	$> 100.0$ MOhm

Technical Drawing



Configuration

Actuators



Segment wheel



Technical data

// PT65 5 01 L508 -

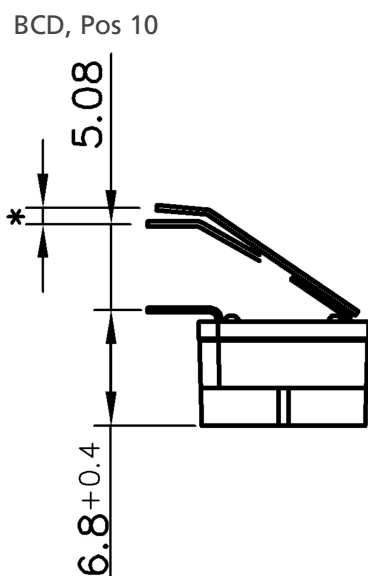
Rotary Code Switch

Left angular 5.08mm pitch

Codes

BCD Typ 01					
	C	1	2	4	8
0	●				0
1	●	●			1
2	●		●		2
3	●	●	●		3
4	●			●	4
5	●	●		●	5
6	●		●	●	6
7	●	●	●	●	7
8	●				●
9	●	●			●

Contact pins



Left angular 5.08 mm



**PTR HARTMANN**

A Phoenix Mecano Company

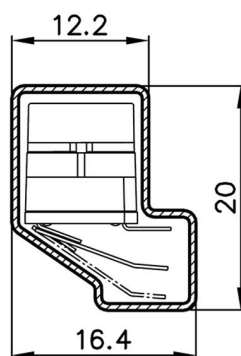
Technical data

**// PT65 5 01 L508 -**

Rotary Code Switch

Left angular 5.08mm pitch

Packing depending on acuator



Tube PT65 5...L508

## X-ON Electronics

Largest Supplier of Electrical and Electronic Components

*Click to view similar products for [Multi-Directional Switches](#) category:*

*Click to view products by [PTR HARTMANN](#) manufacturer:*

Other Similar products are found below :

[PT65501L508](#) [RA3CSH6A](#) [APTCFVTR](#) [SRBE210100](#) [T5-NH1118](#) [RKJXW1014002](#) [RKJXW2014001](#) [T4-0183](#) [TSWA-3N-CUP2-LFS](#)  
[3J2015-200](#) [T2-0018](#) [T5-CK2212](#) [CS41001E](#) [RKJXK1210002](#) [RKJXK122000D](#) [RKJXK122400Y](#) [RKJXL100401V](#) [RKJXM2E13001](#)  
[RKJXM2E13004](#) [RKJXS1004001](#) [RKJXT1F42001](#) [RKJXV1224005](#) [RKJXY100000A](#) [SKRHAAE010](#) [SKRHABE010](#) [SKRHACE010](#)  
[SKRHADE010](#) [SLLB120100](#) [SLLB120200](#) [SLLB120300](#) [SLLB510100](#) [SLLB510200](#) [SLLB520100](#) [SRBE110301](#) [SRBE210200](#)  
[AMPTFP2VTR](#) [D16202](#) [PHAP4383V](#) [3302](#) [7G5002C0003](#) [QSA2S3.5NH3G7](#) [K1-1508SA-03](#) [PLJG2-G-V-T/R](#) [PLMG5-GH-V-T/R](#)  
[RKJXU1210006](#) [SKRHADE011](#) [T4-0010](#) [2200-000301](#) [5D001-BKKKKKAWXWXWXWX-W200](#) [T4-CD2212](#)